

## TECHNICAL INFORMATION BULLETIN ELECTRONIC LINEAR FLUORESCENT BALLAST INSTANT START T8

### ORDERING INFORMATION

Order code: 61131  
Description: E232T8IS120-277/L/AS  
UPC: 69549611313  
Warranty: 5 years

### GENERAL INFORMATION

Ballast type: Electronic  
Starting method: Instant Start  
Lamp connection: Parallel  
Input voltage: 120-277 V  
Input frequency: 60 HZ  
Max. case temp.: 75 °C  
Status: Active  
Safety approval: 61131



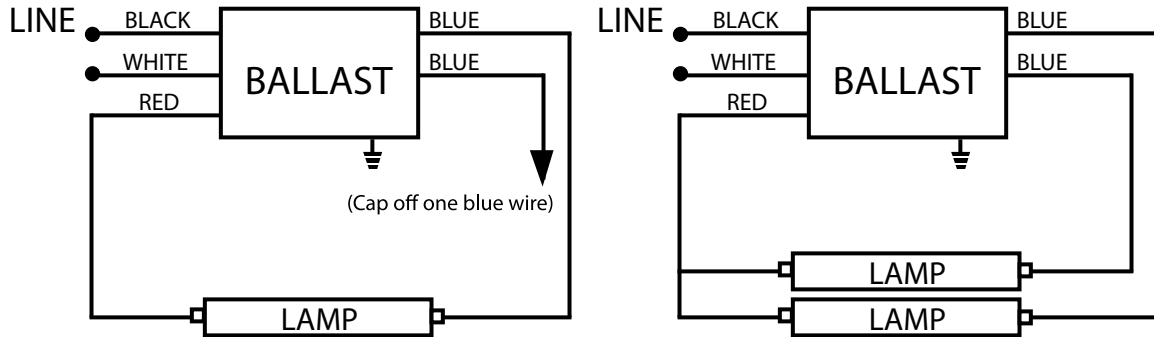
Lamp type	Number of lamps	Input voltage (V)	Input current (A)	Input power (W)	Power factor	Max THD %	Ballast factor	Min. start temp. (°F / °C)	Max. lamp current crest factor	B.E.F.
F32T8 32W	2	120/277	0.40/0.17	48/47	0.98	10	0.77	0/-18	1.7	1.60/1.64
F32T8/ES 30W	2	120/277	0.39/0.17	46	0.98	10	0.77	0/-18	1.7	1.67
F32T8/ES 28W	2	120/277	0.37/0.16	43	0.98	10	0.77	0/-18	1.7	1.79
F32T8/ES 25W	2	120/277	0.33/0.14	39/38	0.98	10	0.78	0/-18	1.7	2.00/2.05
F32T8 32W	1	120/277	0.26/0.11	31	0.98	10	0.9	0/-18	1.7	2.90
F32T8/ES 30W	1	120/277	0.24/0.11	28	0.98	10	0.9	0/-18	1.7	3.21
F32T8/ES 28W	1	120/277	0.22/0.10	26	0.98	10	0.9	0/-18	1.7	3.46
F32T8/ES 25W	1	120/277	0.20/0.09	24	0.98	10	0.9	0/-18	1.7	3.75
F17T8 17W	1	120/277	0.15/0.07	18	0.98	10	0.90	0/-18	1.7	5.00
F17T8 17W	2	120/277	0.23/0.10	27	0.98	10	0.85	0/-18	1.7	3.15
F25T8 25W	1	120/277	0.20/0.09	24	0.98	10	0.90	0/-18	1.7	3.75
F25T8 25W	2	120/277	0.32/0.14	39	0.98	10	0.78	0/-18	1.7	2.00
F40T8 40W	1	120/277	0.29/0.13	36	0.98	10	0.88	0/-18	1.7	2.44



[www.standardpro.com](http://www.standardpro.com)

# TECHNICAL INFORMATION BULLETIN ELECTRONIC LINEAR FLUORESCENT BALLAST INSTANT START T8

## WIRING DIAGRAM

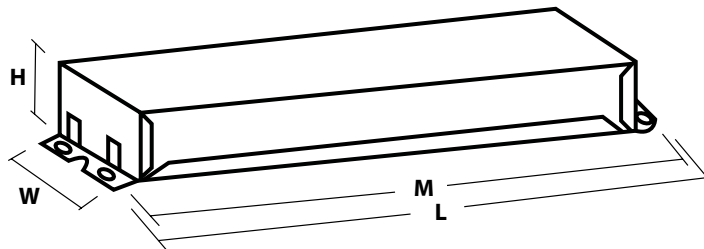


### BALLAST FEATURES

	in.	cm
Length (L)	9.50	24.13
Width (W)	1.30	3.30
Height (H)	1.00	2.54
Mounting (M)	8.91	22.63

### LEAD LENGTHS

	in.	cm
Black	25.00	63.50
White	25.00	63.50
Red	46.00	116.84
Blue	31.00	78.74



### WARRANTY:

Ballast warranty of 5 years for electronic ballast 75 °C. Ballast warranty of 3 years for electronic ballast 90 °C. For more information visit our website.

Data is based upon tests performed in a controlled environment and representative of relative performance. Actual performance can vary depending on operating conditions. Specifications are subject to change without notice.