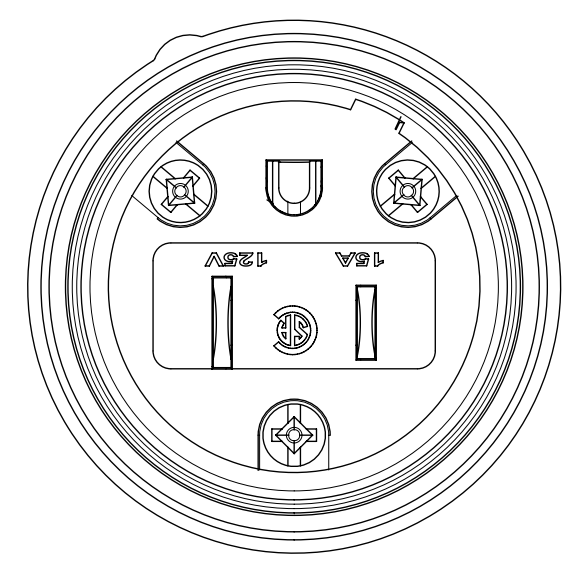
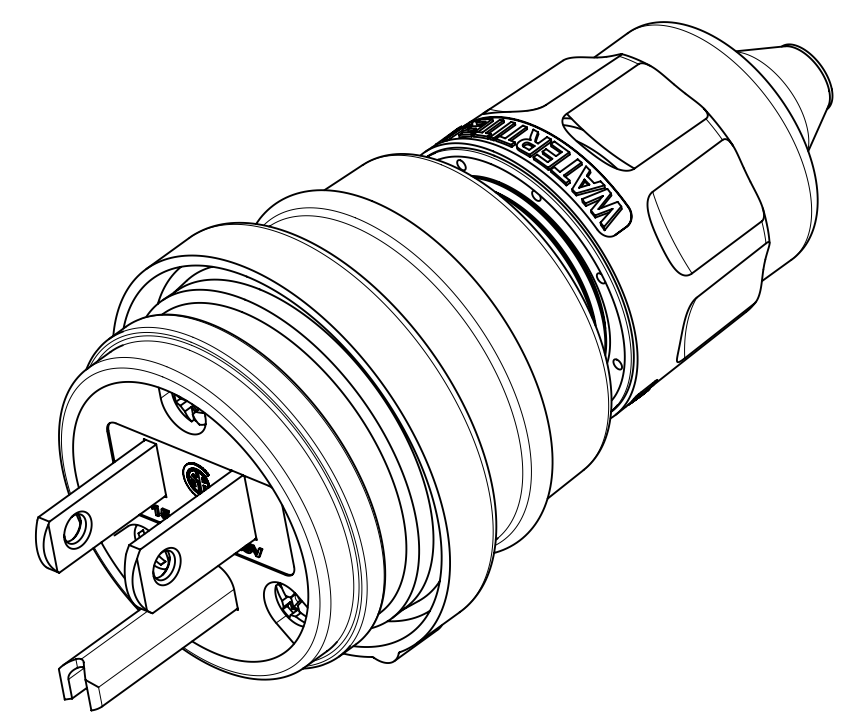
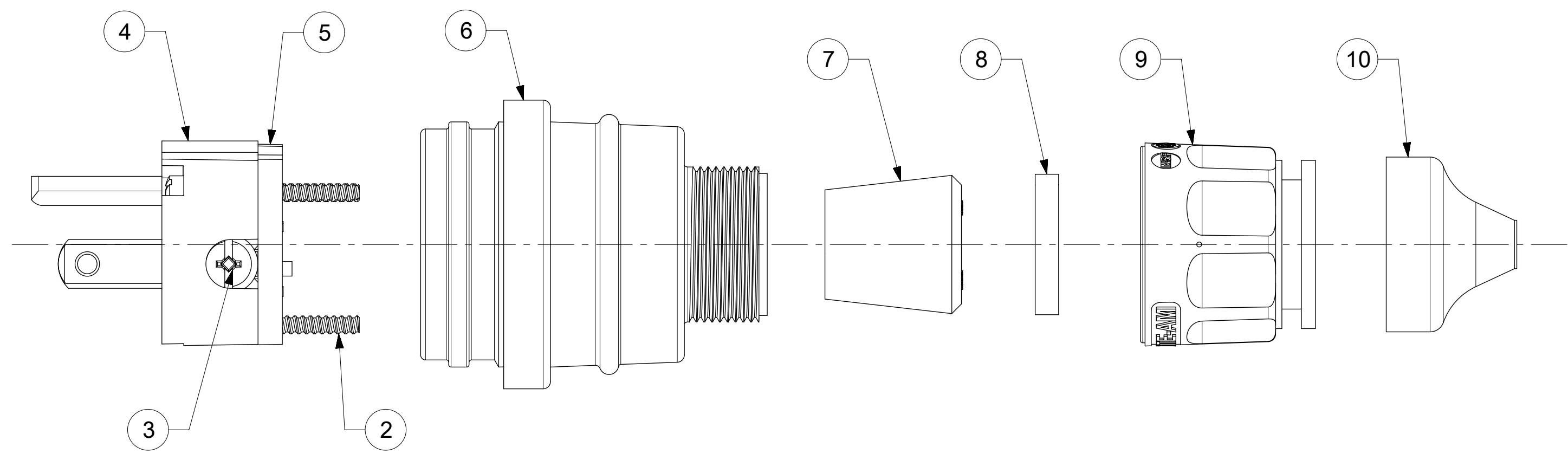
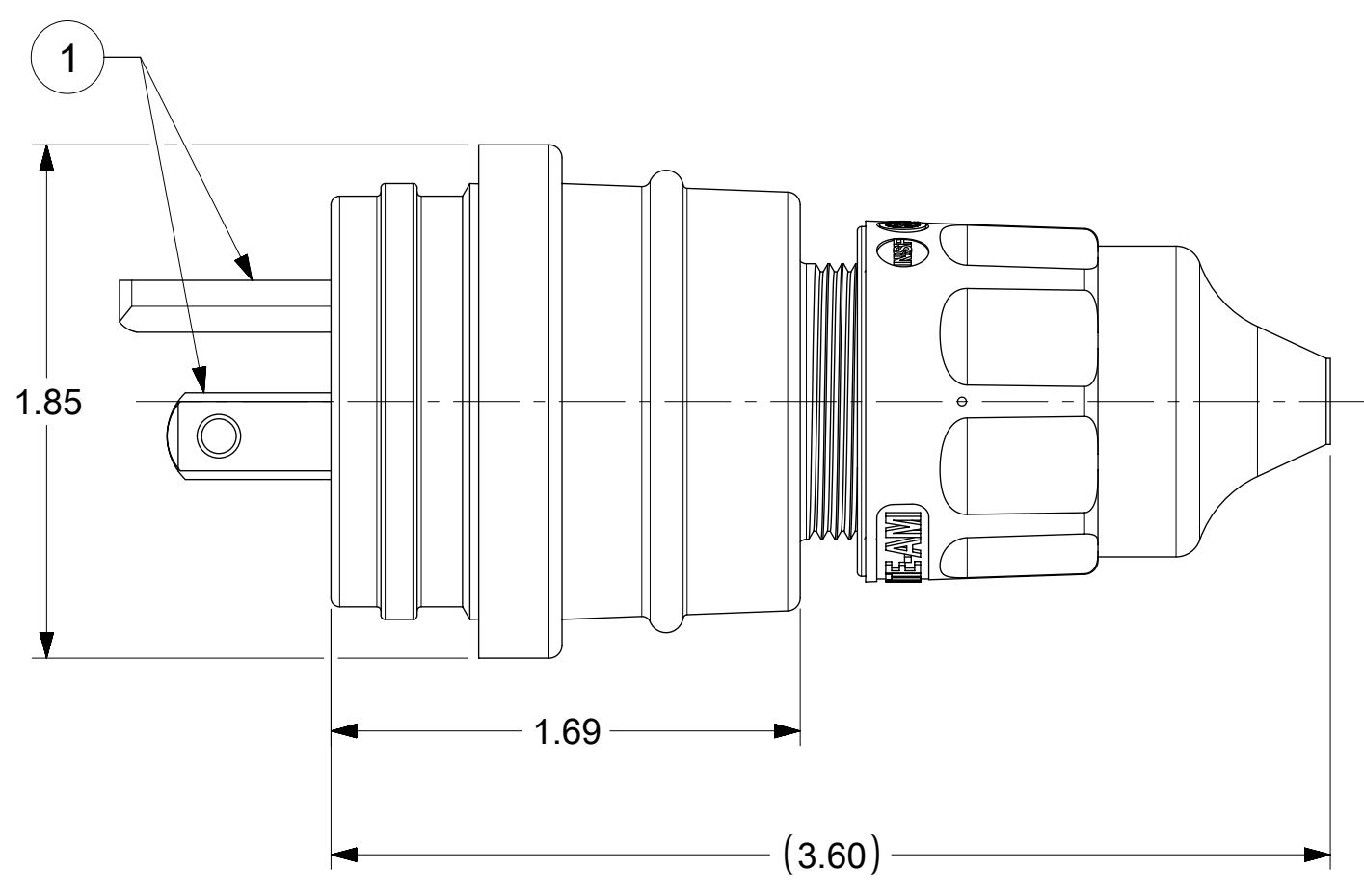


| ORDER NO. | WOODHEAD NO. | COLOR |
|-------------|--------------|--------|
| 130146-0031 | 14W47 | YELLOW |
| 130146-0032 | 14W47BLK | BLACK |



FACE VIEW



NOTES:
 1. SEE INSTRUCTION SHEET NUMBER 1301414770 FOR PRODUCT SPECIFICATION.
 2. CABLE RANGE FROM 0.375" TO 0.625"

| ITEM NO. | DESCRIPTIONS | MATERIAL | QTY. |
|----------|------------------|----------------------------|------|
| 1 | BLADES | BRASS | 3 |
| 2 | RETAINING SCREWS | STAINLESS STEEL | 3 |
| 3 | TERMINAL SCREWS | BRASS, ZINC PLATED | 3 |
| 4 | INSERT | NYLON | 1 |
| 5 | TERMINAL COVER | POLYCARBONATE | 1 |
| 6 | HOUSING | SILICONE WITH NYLON THREAD | 1 |
| 7 | GROMMETS | RUBBER | 5 |
| 8 | FRICTION RING | NYLON | 1 |
| 9 | COMPRESSION NUT | NYLON | 1 |
| 10 | CABLE GLOVE | SILICONE | 1 |

| | | | | | | | | | |
|-----------------------------------------------------------------------------------------------------------------------------------------------|--|--------|--|--------------------------------------------------------------------------------------------------------------------------------------------------------------------------------------------------------------------------------------------------------|--|-----------------|--|------------|--|
| THIS DRAWING CONTAINS INFORMATION THAT IS PROPRIETARY TO MOLEX ELECTRONIC TECHNOLOGIES, LLC AND SHOULD NOT BE USED WITHOUT WRITTEN PERMISSION | | | | | | | | | |
| DIMENSION UNITS | | SCALE | | CURRENT REV DESC: | | | | | |
| INCH | | NTS | | <p>molex</p> <p>WATERTITE PLUG, 5-15P</p> <p>PRODUCT CUSTOMER DRAWING</p> <p>DOCUMENT NUMBER: 1301460031 DOC TYPE: PSD DOC PART: 000 REVISION: A1</p> <p>MATERIAL NUMBER: SEE TABLE CUSTOMER: GENERAL MARKET SHEET NUMBER: 1 OF 1</p> | | | | | |
| GENERAL TOLERANCES (UNLESS SPECIFIED) | | | | | | | | | |
| ANGULAR TOL ± 0.5° | | | | | | | | | |
| 4 PLACES ± | | | | | | | | | |
| 3 PLACES ± 0.005 | | | | | | | | | |
| 2 PLACES ± 0.01 | | | | | | | | | |
| 1 PLACE ± 0.02 | | | | | | | | | |
| 0 PLACES ± | | | | EC NO: 613686 | | 2019/03/13 | | | |
| DRAFT WHERE APPLICABLE MUST REMAIN WITHIN DIMENSIONS | | | | THIRD ANGLE PROJECTION | | DRAWING | | SERIES | |
| | | C-SIZE | | 130146 | | DRWN: NVELUSAMY | | 2018/10/26 | |
| | | | | | | APPR: HKNEELAND | | 2019/02/11 | |