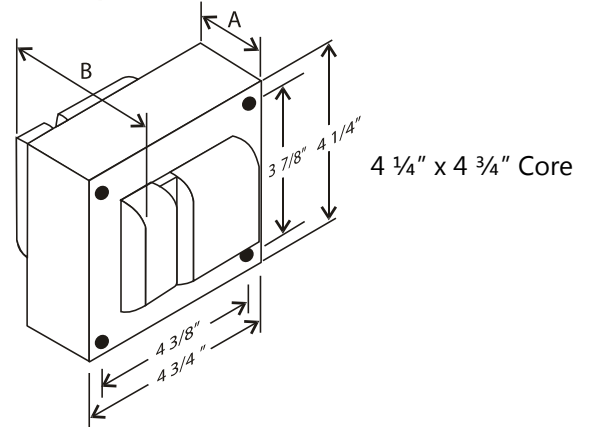


ORDERING INFORMATION

Order code: 59642
 Description: BMHP0320/TRITAP/C/CWA/H STD
 UPC: 69549596429

SPECIFICATIONS

Ballast type: Magnetic metal halide
 Ballast style: Core and coil
 Circuit type: CWA
 ANSI code: M132/M154
 Input voltage (V): 120/277/347
 Input frequency (Hz): 60
 Line volt regulation: $\pm 10\%$
 Line watt regulation: $\pm 10\%$
 Insulation class: H (180°)



Input voltage (V)	Operating current (A)	Open circuit current (A)	Starting current (A)	Rated lamp watts (W)	Input watts (W)	OCV (V)	Dropout voltage (V)	UL 1029 code	Fuse rating (A)	Input current (A)	Power factor	Starting temperature
120	3.24	3.00	1.45	320	368	270	60	A	8	0.85 - 1.60	0.90	-20°F / -30°C
277	1.40	1.30	0.65	320	368	270	140	A	4	0.35 - 0.70	0.90	-20°F / -30°C
347	1.10	1.00	0.50	320	368	270	175	A	3	0.30 - 0.55	0.90	-20°F / -30°C

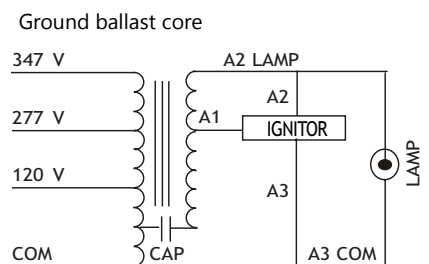
HIGH POTENTIAL TEST (V)

1 minute:	2 000
2 seconds:	2 500
OCV test:	245 - 295
Short circuit:	3.00 - 3.60

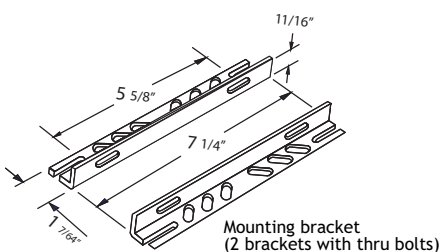
BALLAST DIMENSIONS

Dimension A:	1.80"
Dimension B:	3.70"
Lead Lengths:	12.00"
Weight (lbs):	12.25

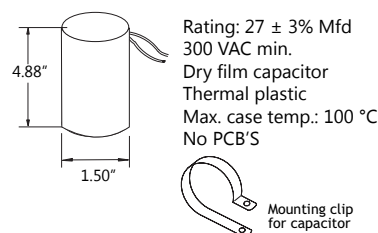
WIRING DIAGRAM



BRACKET



CAPACITOR



IGNITOR

