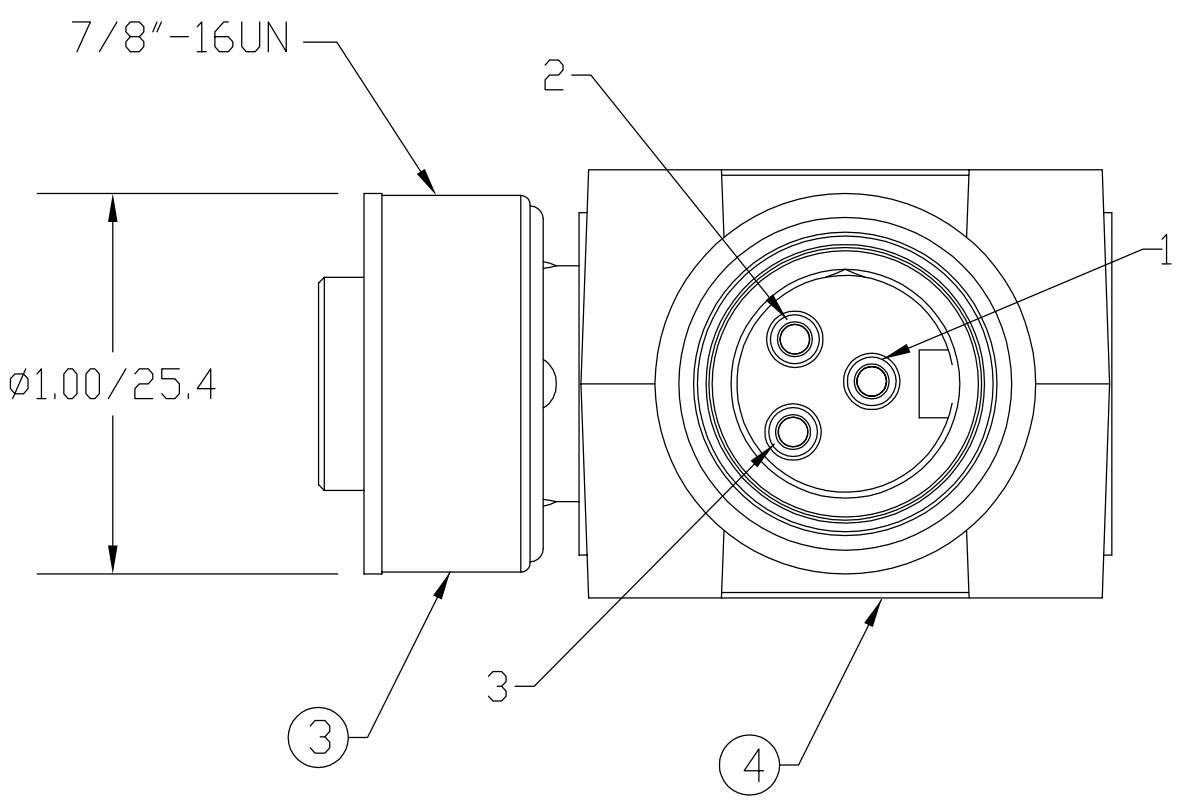
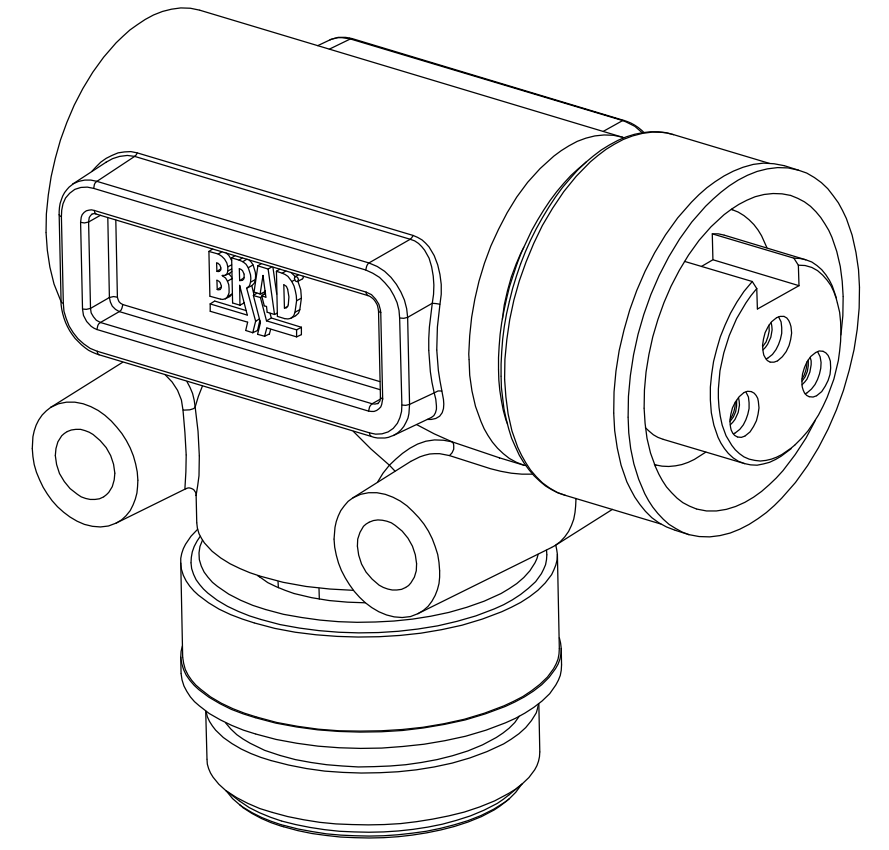
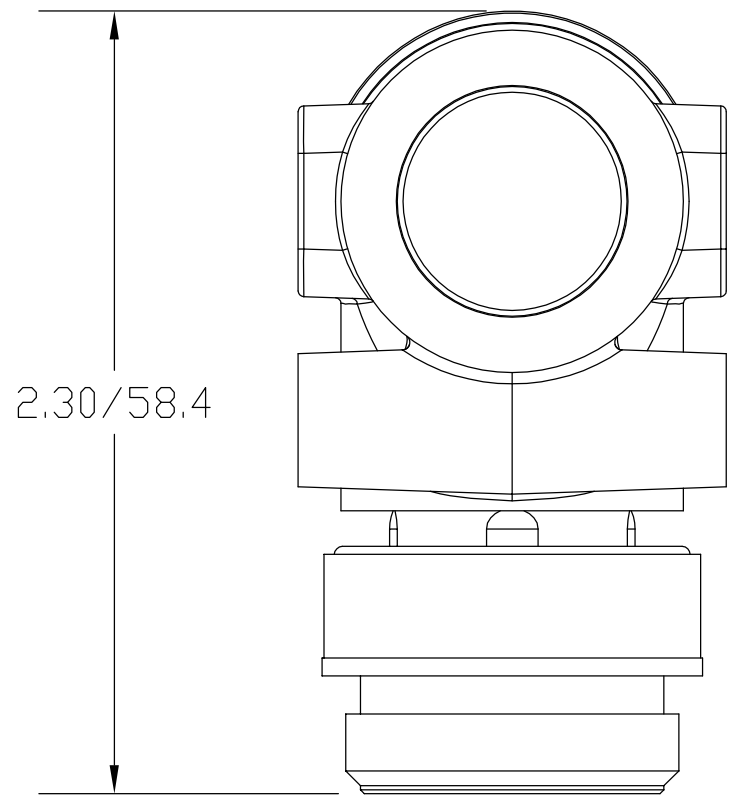
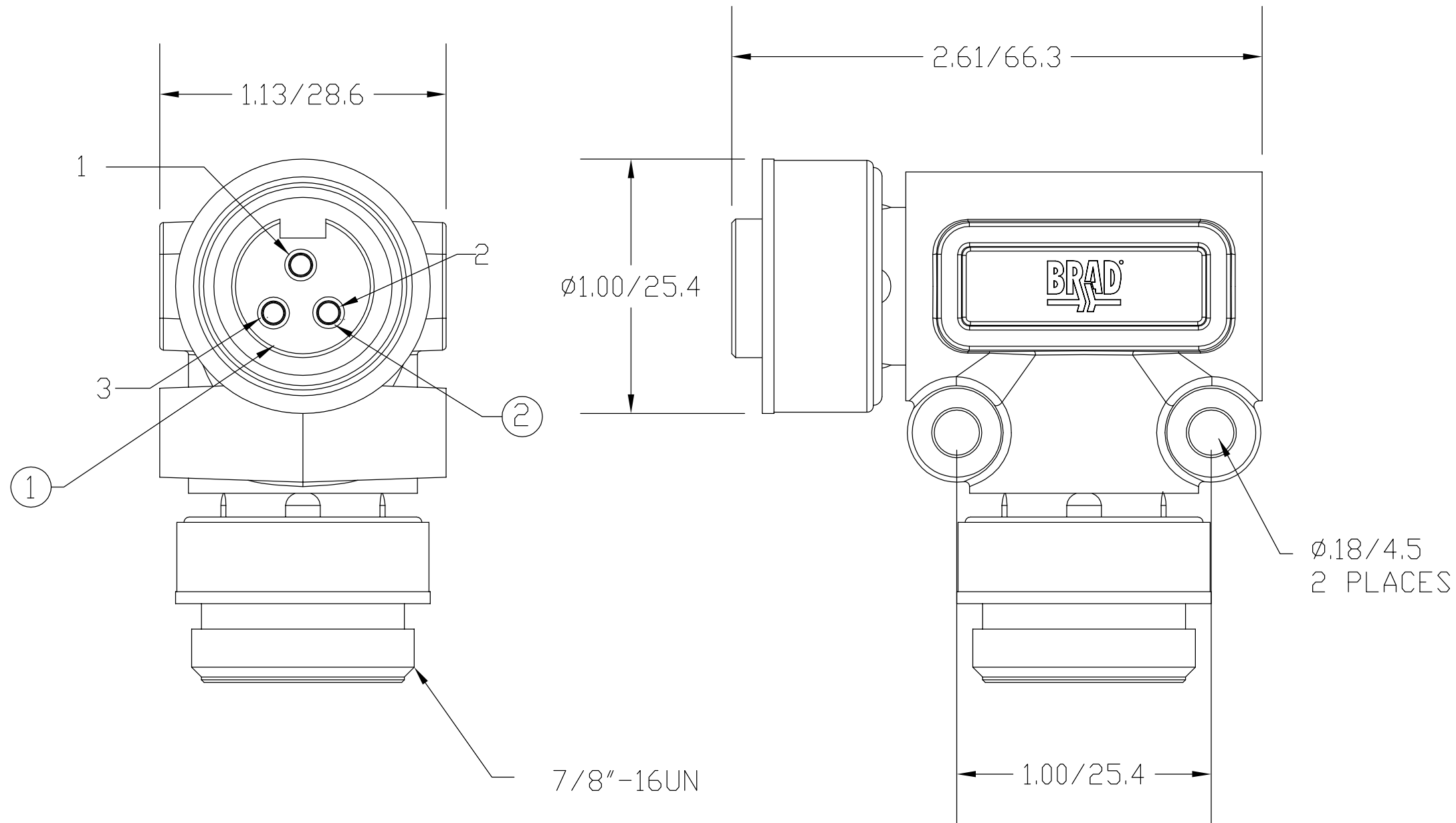
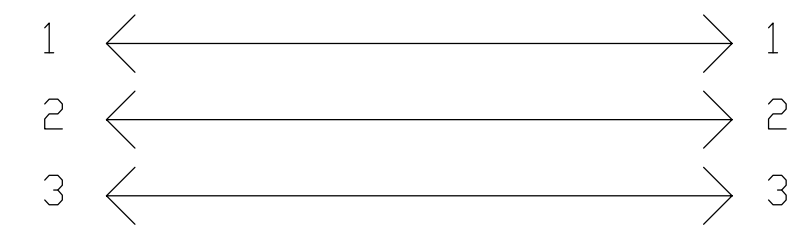


MATERIAL NUMBER	OLD PART NUMBER
130018-0206	41048



SCHEMATIC



VOLTAGE RATING	600 VAC/VDC
AMPERAGE RATING	10 AMPS
PROTECTION	IP67
OPERATING TEMPERATURE	-20°C TO 80°C
UL CERTIFICATIONS	UL RECOGNIZED, FILE NO. E152210
CSA CERTIFICATIONS	CSA CERTIFIED, FILE NO. LR6837

ITEM	COMPONENT	MATERIAL	FINISH
1	INSERT	PVC	YELLOW
2	CONTACT	COPPER ALLOY	GOLD OVER NICKEL
3	COUPLING NUT	ZINC DIE CAST	BLACK E-COATED
4	OVERMOLD	PVC	YELLOW

RLSD DRAWING
 EC NO: WNA2010-0131
 DRWN: BWOODMAN 8/25/09
 CH'KD: TW
 APPR: JFMURPHY 2009/08/27
 REV A

QUALITY SYMBOL
 ▽=0
 ▽C=0

GENERAL TOLERANCES (UNLESS SPECIFIED)

	mm	INCH
4 PLACES	±----	±----
3 PLACES	±----	±----
2 PLACES	±----	±.01
1 PLACE	±0.3	±----

ANGULAR ±----°

DRAFT WHERE APPLICABLE MUST REMAIN WITHIN DIMENSIONS

DIMENSION STYLE IN/MM

DRAWN BY DATE
 BW 2009/08/25

CHECKED BY DATE
 JM 2009/08/25

APPROVED BY DATE
 JFMURPHY 2009/08/26

MATERIAL NO. SEE CHART

SIZE C

SCALE ---

DESIGN UNITS ---

THIRD ANGLE PROJECTION

TITLE
 MC 3P FEMALE/MALE 90 ADAPTER

MOLEX INCORPORATED

DOCUMENT NO. SD-130018-004

SHEET NO. 1 OF 1

THIS DRAWING CONTAINS INFORMATION THAT IS PROPRIETARY TO MOLEX INCORPORATED AND SHOULD NOT BE USED WITHOUT WRITTEN PERMISSION