

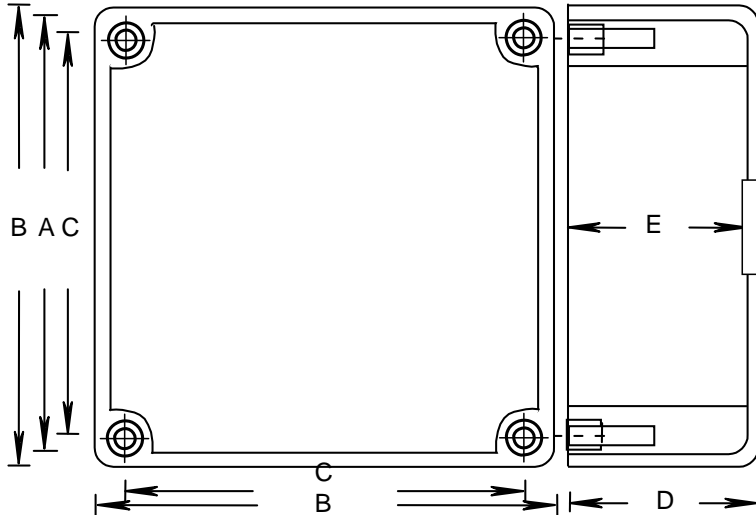
# RIGID PVC CONDUIT FITTINGS

**ISSUE DATE:**  
**DATE D'EMISSION:** 2005 01 15

## JB442 JUNCTION BOXES

**SUPERCEDES:**  
**REPLACE:** 2004 08 15

Issue 2 Rev 1



PRODUCT CODE	PART NUMBER	NOMINAL SIZE		A		B		C	
		(in)	(mm)	(in)	(mm)	(in)	(mm)	(in)	(mm)
077020**	JB 442 ORENCO	4	103	3.675	93	4.000	102	3.450	88
076629	J442 STAHLIN	4	103	3.675	93	4.000	102	3.450	88
076258	AMJB442 ALLIED	4	103	3.675	93	4.000	102	3.450	88
077086	JB 442 w/o Feet	4	103	3.675	93	4.000	102	3.450	88
077600*	JB 442 w/o Feet UNASSM	4	103	3.675	93	4.000	102	3.450	88
077659	JB 442	4	103	3.675	93	4.000	102	3.450	88
077665	JB 442 BLACK	4	103	3.675	93	4.000	102	3.450	88
077699*	JB 442 UNASSM	4	103	3.675	93	4.000	102	3.450	88
077683*	JB 442 (2 HOLES)	4	103	3.675	93	4.000	102	3.450	88

PRODUCT CODE	PART NUMBER	NOMINAL SIZE		D		E	
		(in)	(mm)	(in)	(mm)	(in)	(mm)
077020**	JB 442 ORENCO	4	103	2.160	55	2.000	51
076629	J442 STAHLIN	4	103	2.160	55	2.000	51
076258	AMJB442 ALLIED	4	103	2.160	55	2.000	51
077086	JB 442 w/o Feet	4	103	2.160	55	2.000	51
077600*	JB 442 w/o Feet UNASSM	4	103	2.160	55	2.000	51
077659	JB 442	4	103	2.160	55	2.000	51
077665	JB 442 BLACK	4	103	2.160	55	2.000	51
077699*	JB 442 UNASSM	4	103	2.160	55	2.000	51
077683*	JB 442 (2 HOLES)	4	103	2.160	55	2.000	51

\* Unassembled Bulk

077683: Pack sufficient number of screws in a bag for each carton (4 X number of boxes in a carton), install gaskets on covers.

\*\* Unassembled, Bulk, 15 covers, No Mounting Feet, Component in Poly-bag (15 gaskets, 60 SS self tapping screws , 072564).

**RIGID PVC CONDUIT FITTINGS**

**ISSUE DATE:**  
**DATE D'EMISSION:** 2005 01 15

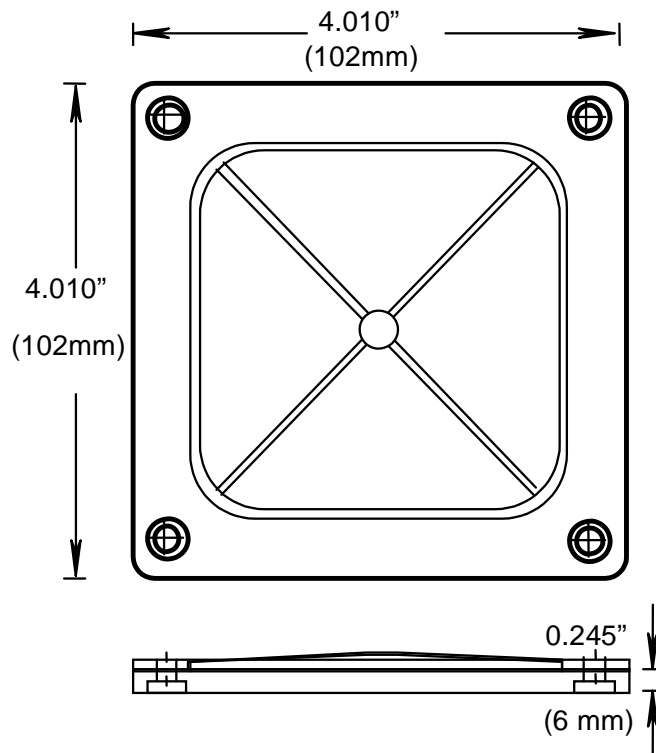
**JB442 JUNCTION BOXES**

**SUPERCEDES:**  
**REPLACE:** 2004 08 15

Issue 2 Rev 1

PRODUCT CODE	PART NUMBER	NOMINAL SIZE		GASKET CODE	INSERT CODE	SCREW CODE	VOLUME	
		(in)	(mm)				(cu. in)	(cu. cm)
077020*	JB 442 ORENCO	4	103	097731		072564	26.5	434.6
076629	J442 STAHLIN	4	103	097731	072538	072522	26.5	434.6
076258	AMJB442 ALLIED	4	103	097731	072538	072522	26.5	434.6
077086	JB 442 w/o Feet	4	103	097731	072538	072522	26.5	434.6
077600*	JB 442 w/o Feet UNASSM	4	103	097731	072538	072522	26.5	434.6
077659	JB 442	4	103	097731	072538	072522	26.5	434.6
077665	JB 442 BLACK	4	103	097731	072538	072522	26.5	434.6
077699*	JB 442 UNASSM	4	103	097731	072538	072522	26.5	434.6
077683*	JB 442 (2 HOLES)	4	103	097731	072538	072522	26.5	434.6

**COVER DIMENSIONS**



**MOLD-IN MOUNTING FEET**

