


TECHNICAL INFORMATION BULLETIN

PAR Compact Fluorescent Lamps


LAMP CHARACTERISTICS

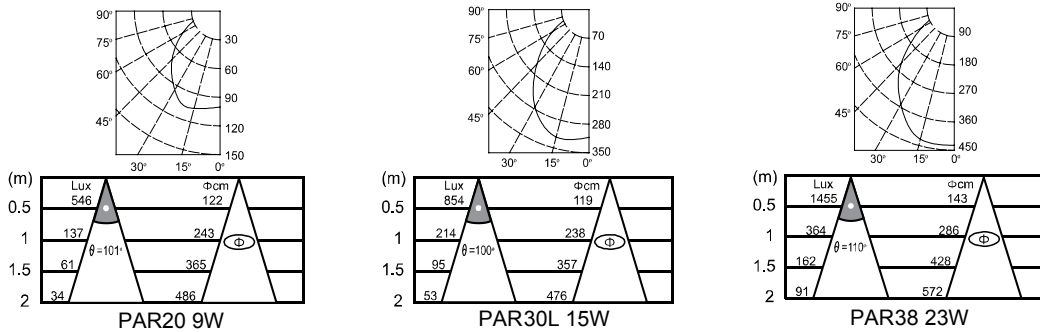
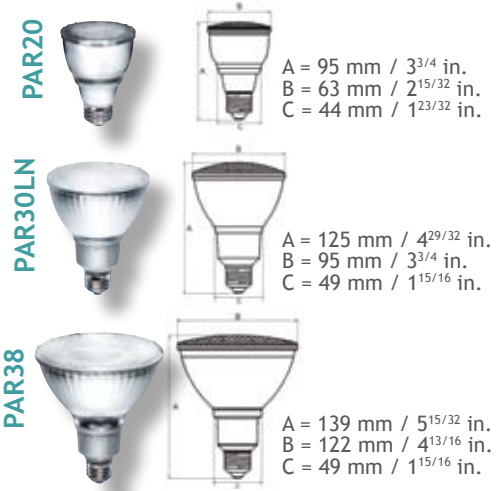
PAR lamps offer the perfect replacement to traditional halogen PAR and incandescent reflector lamps.

Features

- Suitable for outdoor use (base up)
- Operating Temperature: -23 °C/-10 °F to 55 °C/131 °F
- Amalgam technology
-  us listed

Benefits

- Saves on maintenance costs
- Emits same amount of light as incandescent lamps using less energy
-  Energy Star approved



Code code	Description	Watts (W)	Base	Colour temp. (K)	CRI	Beam angle (°)	Average life (h)	Initial lumens (lm)	MOL (in.) (mm)	Case qty	Halogen equivalent (W)
14100	CF9/27K/PAR20/E26/STD	9	E26	2700	82	100	8000	300	3 ^{3/4} 95	48	50
14101	CF9/30K/PAR20/E26/STD	9	E26	3000	82	100	8000	300	3 ^{3/4} 95	48	50
14102	CF9/35K/PAR20/E26/STD	9	E26	3500	82	100	8000	300	3 ^{3/4} 95	48	50
14103	CF9/41K/PAR20/E26/STD	9	E26	4100	82	100	8000	300	3 ^{3/4} 95	48	50
14104	CF9/50K/PAR20/E26/STD	9	E26	5000	82	100	8000	300	3 ^{3/4} 95	48	50
60096	CF15/27K/PAR30LN/E26/STD	15	E26	2700	82	100	8000	700	4 ^{29/32} 125	24	75
14015	CF15/30K/PAR30LN/E26/STD	15	E26	3000	82	100	8000	700	4 ^{29/32} 125	24	75
14026	CF15/35K/PAR30LN/E26/STD	15	E26	3500	82	100	8000	700	4 ^{29/32} 125	24	75
14027	CF15/41K/PAR30LN/E26/STD	15	E26	4100	82	100	8000	700	4 ^{29/32} 125	24	75
14028	CF15/50K/PAR30LN/E26/STD	15	E26	5000	82	100	8000	700	4 ^{29/32} 125	24	75
60944	CF23/27K/PAR38/E26/STD	23	E26	2700	82	110	8000	1200	5 ^{15/32} 139	24	90
60097	CF23/30K/PAR38/E26/STD	23	E26	3000	82	110	8000	1200	5 ^{15/32} 139	24	90
60098	CF23/35K/PAR38/E26/STD	23	E26	3500	82	110	8000	1200	5 ^{15/32} 139	24	90
14013	CF23/41K/PAR38/E26/STD	23	E26	4100	82	110	8000	1280	5 ^{15/32} 139	24	90
14014	CF23/50K/PAR38/E26/STD	23	E26	5000	82	110	8000	1280	5 ^{15/32} 139	24	90

