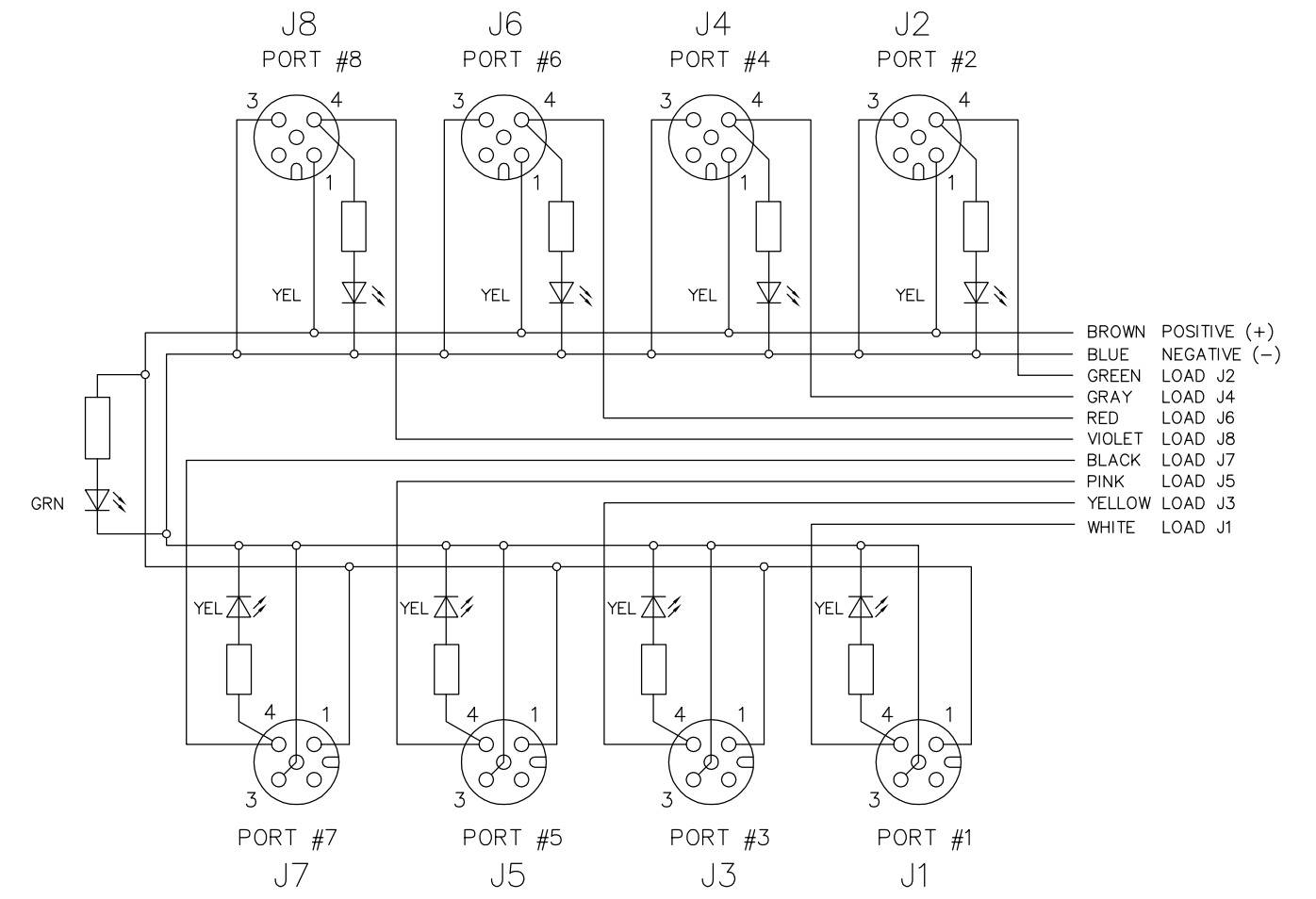
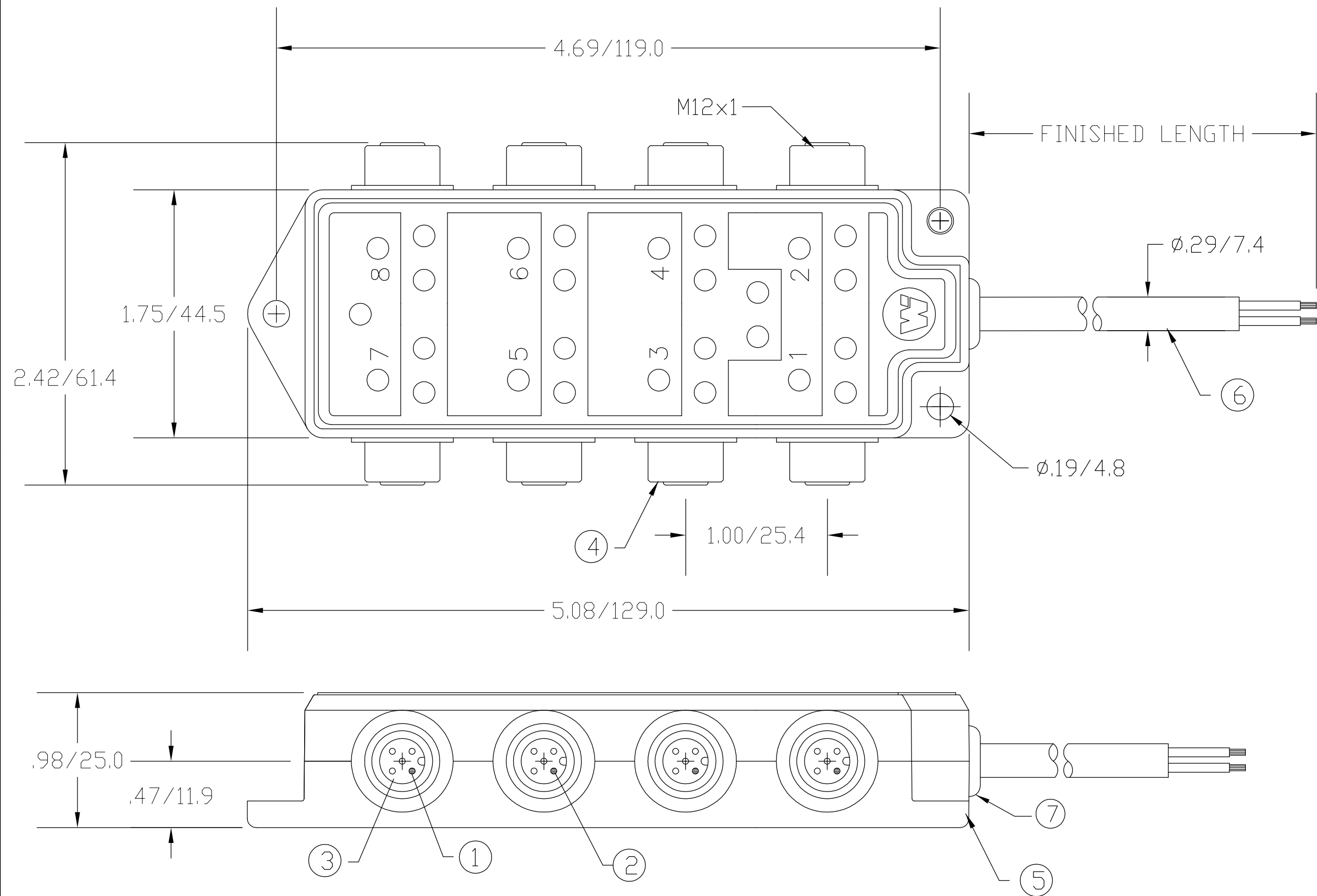


MATERIAL NUMBER	OLD PART NUMBER	FINISHED LENGTH
120115-0054	803P801	16.40' +6.50" -0 [5.0M +165.1 -0]



WIRING DIAGRAM

ITEM	COMPONENT	MATERIAL	FINISH
1	INSERT	NYLON	BLACK
2	CONTACT SOCKET	COPPER ALLOY	GOLD OVER NICKEL
3	O-RING	NITRILE	RED
4	RECEPTACLE SHELL	ZINC DIE CAST	BLACK E-COATED
5	HOUSING	NYLON	YELLOW
6	CABLE- 18AWG, (41 X #34), 1 CONDUCTOR; 22 AWG (26 X #36), 7 CONDUCTOR, 300V	PVC	YELLOW
7	GROMMET	NITRILE	BLACK

VOLTAGE RATING	10-30 VDC
AMPERAGE RATING PER PORT	4 AMPS
PROTECTION	IP67
OPERATING TEMPERATURE	-20°C TO 90°C

RLSD DRAWING EC NO: WNA2010-0139 DRWN: BWOODMAN 8/27/09 CH'KD: JM APPR: JFMURPHY 2009/08/31	DESCRIPTION REV	QUALITY SYMBOL ▽=0 ◁=0	GENERAL TOLERANCES (UNLESS SPECIFIED) <table border="1"> <thead> <tr> <th></th> <th>mm</th> <th>INCH</th> </tr> </thead> <tbody> <tr> <td>4 PLACES</td> <td>±----</td> <td>±----</td> </tr> <tr> <td>3 PLACES</td> <td>±----</td> <td>±----</td> </tr> <tr> <td>2 PLACES</td> <td>±----</td> <td>±.01</td> </tr> <tr> <td>1 PLACE</td> <td>±0.3</td> <td>±----</td> </tr> </tbody> </table>		mm	INCH	4 PLACES	±----	±----	3 PLACES	±----	±----	2 PLACES	±----	±.01	1 PLACE	±0.3	±----	DIMENSION STYLE IN/MM	SCALE ----	DESIGN UNITS ----	THIRD ANGLE PROJECTION
			mm	INCH																		
		4 PLACES	±----	±----																		
		3 PLACES	±----	±----																		
2 PLACES	±----	±.01																				
1 PLACE	±0.3	±----																				
DRAWN BY: BW DATE: 2009/08/27 CHECKED BY: LH DATE: 2009/08/27 APPROVED BY: JFMURPHY DATE: 2009/08/28	TITLE MICRO-CHANGE MPIS 8 PORT SIDE MOUNT PNP PVC CABLE	MOLEX INCORPORATED	SHEET NO. 1 OF 1																			
DRAFT WHERE APPLICABLE MUST REMAIN WITHIN DIMENSIONS	SEE CHART	SD-120115-007																				
SIZE C	THIS DRAWING CONTAINS INFORMATION THAT IS PROPRIETARY TO MOLEX INCORPORATED AND SHOULD NOT BE USED WITHOUT WRITTEN PERMISSION																					