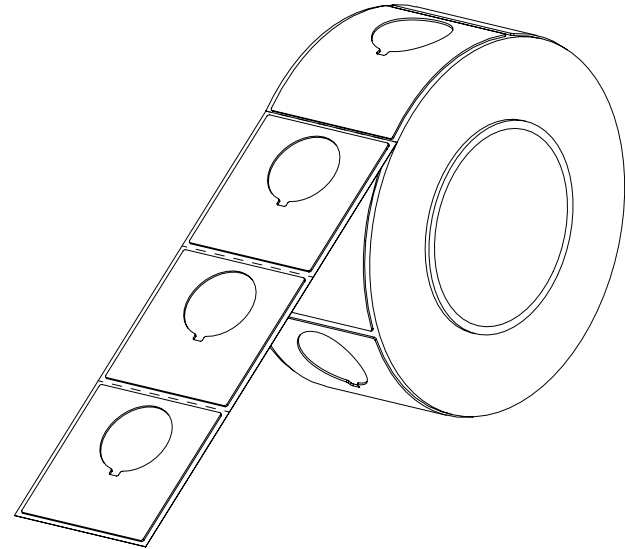
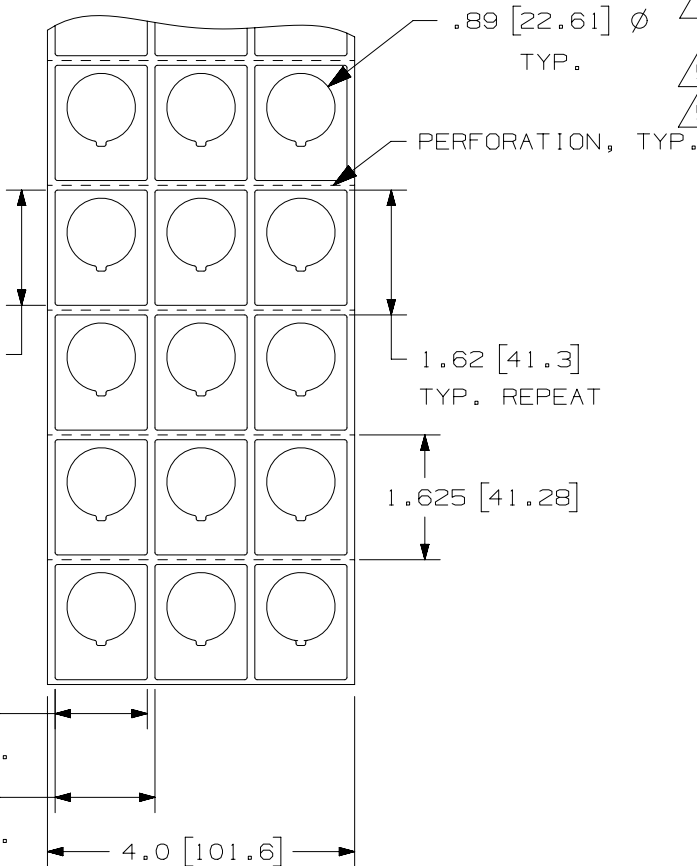


THIS COPY IS PROVIDED ON A RESTRICTED BASIS AND IS NOT TO BE USED IN ANY WAY DETRIMENTAL TO THE INTERESTS OF PANDUIT CORP.

NOTES:

1. DIMENSIONS IN [ ] ARE IN MILLIMETERS.

| PANDUIT PART NO. | MATERIAL | FACE COLOR | PKG. QTY. | THICKNESS        | PRODUCT TYPE                             |
|------------------|----------|------------|-----------|------------------|--|
| C120X150A0T-22   | GMH3-A   | BLACK      | 500       | .030<br>+/- .010 | POLYESTER/<br>FOAM<br>COMPONENT<br>LABEL |
| C120X150A8T-22   |          | YELLOW     |           |                  |  |
| C120X150APT-22   | GMH3-W   | WHITE      |           |                  |  |
| C120X150AST-22   | GMH3-A   | GREEN      |           |                  |  |
| C120X150AWT-22   | GMH3-A   | RED        |           |                  |  |



| REV | DATE     | BY  | CHK  | APR  | DESCRIPTION  | ECN        |
|-----|----------|-----|------|------|--|------------|
| 5   | 4/17/15  | RVU | SEWH | JHAC | GMH3-A WAS GMH3.   | GAECN00507 |
| 4   | 1/7/13   | RVU | DAPE | SEWH | ADD material column and ISO view. UPDATE PART NUMBERS SEQUENCE LIST.                 | GAECN00507 |
| 3   | 5/3/10   | RVU | DAPE |      | TOL. SHOULD BE .12, .062, NOT .1, .050.  | 6036       |
| 2   | 1/30/09  | RVU | DAPE |      | REMOVE "REPEAT" FROM THE LABEL SIZE. ADD DIM. PERF. VERTICAL. REMOVE C120X150AMT-22. | 5592       |
| 1   | 12/18/08 | RVU | DAPE |      | VOID   |            |
| 0   | 9/5/08   | RVU | DAPE |      | DRAWING RELEASE.   | 5537       |

|   |                 |                               |             |
|---|-----------------|-------------------------------|-------------|
| TITLE<br><b>RAISED PANEL PUSH BUTTON LABELS<br/>C120X150APT-22</b>  |                 | CUSTOMER DRAWING              |             |
| ITEM REVISION NAME<br>100491BL/07   |                 | <b>PANDUIT</b> ™              |             |
| DATASET FILE NAME<br>100491BL_DC_C10725/07G   |                 | MATERIAL:<br><b>SEE TABLE</b> |             |
| UNLESS OTHERWISE SPECIFIED,<br>DIMENSIONAL TOLERANCES ARE: IN (mm)<br>.x ± .12 [ 3.05]    .xxx ± .025 [ .635 ]<br>.xx ± .062 [ 1.57 ]    ANGLES ± |                 | DRAWING NUMBER:<br>C10725     |             |
| THIRD ANGLE<br>PROJECTION   | DRAWN BY<br>RVU | DATE<br>9/5/08                | CHK<br>MSAD |
| SCALE<br>NTS  | SHT 1 OF 1      |                               | SIZE<br>A   |

D101000DA/12