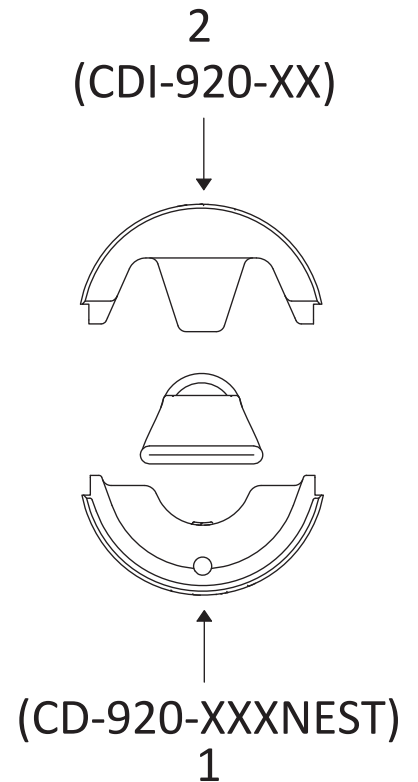
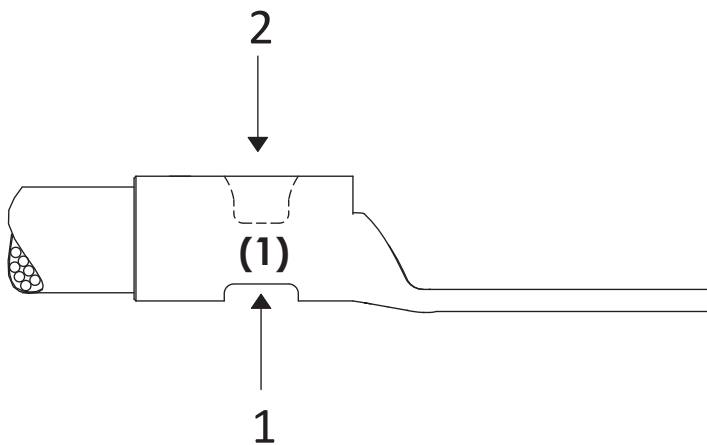
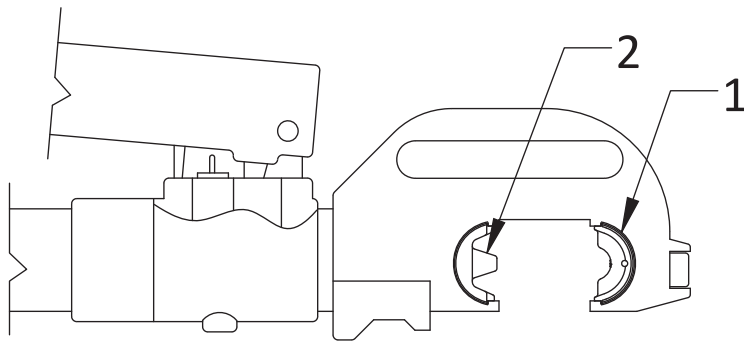
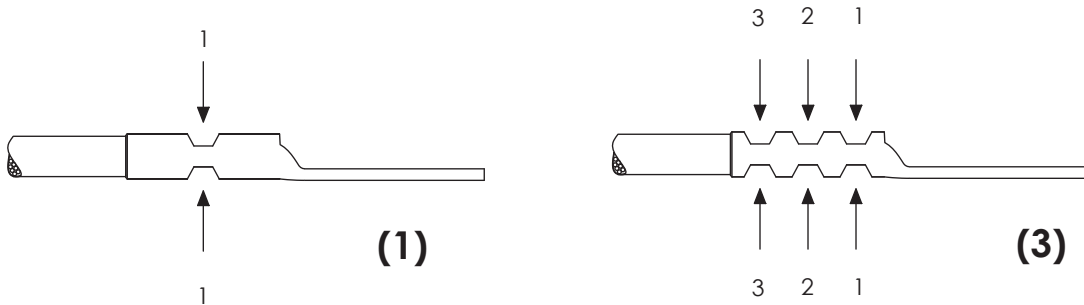


CD-2001-XXX, CD-920-XXX



Tool Chart for Compression Connectors Types LCMA, LCMD, LCMDN, and SCMS with Metric Class 2, 5, & 6 Copper Cable

Panduit Part No.	Wire Size & Class 2r	Wire Strip Length (mm)	Panduit Tool Part Number (For Class 2 Wire)						A See Tool List Below	B See Tool List Below
			CT-100 (Manual)	CT-200 CT-1570 (Manual)	CT-600 (Air)	CT-1701 (Manual)	Cembre Tool Part Number***			
							HTI31-C HT-131LN-C RHC 131LN B 131-C B 131-C-KV B 131LN-C B 131-UC (14.6 Ton Hyd.)			
			Die Pocket Number (Crimp Qty.)				Die Part Number Color & Die Index Number (Crimp Qty.)			
LCMA2.5	1.5-2.5 Class 2r	-	22-10 (1)	22-14 (1) 16-14 (1)	CT-570 16-14 (1)	P10 (1)	-	-		
LCMA6 LCMD6	4 - 6mm ² Class 2r	-	22-10 (2)	12-10 (2)	CT-570 12-10 (2)	P10 (2)	-	-		
LCMA10 LCMD10 SCMS10	10mm ² Class 2r	- 16.5	-	-	-	-	CD-2001-8 Red P21 (1)	CD-920-8 Red P21 (1)		
LCMA16 LCMD16 SCMS16	16mm ² Class 2r	- 19.0	-	-	-	-	CD-2001-8 Red P21 (1)	CD-920-8 Red P21 (1)		
LCMA25 LCMD25	25mm ² Class 2r	- 19.5	-	-	-	-	CD-2001-4 Gray P29 (1)	CD-920-4 Gray P29 (1)		
SCMS25										
LCMA35 LCMD35 SCMS35	35mm ² Class 2r	- 19.5	-	-	-	-	CD-2001-4 Gray P29 (1)	CD-920-4 Gray P29 (1)		
LCMA50 LCMD50 SCMS50	50mm ² Class 2r	- 26.0	-	-	-	-	CD-2001-1 Green P37 (1)	CD-920-1 Green P37 (1)		
LCMA70 LCMD70 SCMS70	70mm ² Class 2r	- 27.5	-	-	-	-	CD-2001-2/0 Black P45 (2)	CD-920-2/0 Black P45 (2)		
LCMA95 LCMD95 SCMS95	95mm ² Class 2r	- 28.5	-	-	-	-	CD-2001-4/0 Purple P54 (2)	CD-920-4/0 Purple P54 (2)		
LCMA120 LCMD120 LCMDN120	120mm ² Class 2r	- 30.0	-	-	-	-	CD-2001-250 Yellow P62 (2)	CD-920-250 Yellow P62 (2)		
SCMS120										
LCMA150 LCMD150 LCMDN150 SCMS150	150mm ² Class 2r	- 30.0	-	-	-	-	CD-2001-300 White P66 (2)	CD-920-300 White P66 (2)		
LCMA185 LCMD185 SCMS185	185mm ² Class 2r	- 32.0	-	-	-	-	CD-2001-400 Blue P76 (2)	CD-920-400 Blue P76 (2)		
LCMA240 LCMD240 SCMS240	240mm ² Class 2r	- 37.5	-	-	-	-	CD-2001-500 Brown P87 (2)	CD-920-500 Brown P87 (2)		
LCMA300 LCMD300 SCMS300	300mm ² Class 2r	- 39.0	-	-	-	-	-	CD-920-600 Green P94 (2)		
LCMAX300 LCMDX300 SCMSX300	375mm ² Class 2r	- 49.0	-	-	-	-	-	-		
LCMA400 LCMD400 SCMS400	400mm ² Class 2r	- 49.0	-	-	-	-	-	CD-920-750 CD-940-750** Black P106 (2)		
LCMA500 LCMD500 SCMS500	500mm ² Class 2r	- 49.5	-	-	-	-	-	CD-940-1000** White P125 (3)		
LCMA630 LCMD630 SCMS630	630mm ² Class 2r	- 67.0	-	-	-	-	-	CD-940-1000** White P125 (4)		
LCMA630 LCMD630	1000 kcmil Class G	-	-	-	-	-	-	CD-940-750A** Red P125 (1) CD-940-1000** White P125 (2)		

For Instructions in Local Languages
and Technical Support:

www.panduit.com/resources/install_maintain.asp



www.panduit.com

E-mail:
cs@panduit.com

Fax:
708-444-6993

Tool Chart for Compression Connectors Types LCMA, LCMD, LCMDN, and SCMS with Metric Class 2, 5, & 6 Copper Cable

Panduit Part No.		Wire Size & Class 5f,6f		Panduit Tool Part Number (For Class 5 & 6 Wire)						Cembre Tool Part Number***					
				CT-100 (Manual)	CT-200 CT-1570 (Manual)	CT-600 (Air)	CT-1701 (Manual)	A See Tool List Below	B See Tool List Below				B See Tool List Below		
				Die Pocket Number (Crimp Qty.)				Die Part Number Color & Die Index Number (Crimp Qty.)					Bottom Nest Die Part Number, Die Color, Index Number	Top Indentor Die Part Number, Die Index Number	Indenter (Crimp Qty.)
LCMA2.5	1.5 - 2.5mm ² Class 5f Only	22-10 (1)	22-14 (1) 16-14 (1)	CT-570 16-14 (1)	P10 (1)	-	-	-	-	-					
LCMA6 LCMD6	4 - 6mm ² Class 5f Only	22-10 (2)	12-10 (2)	CT-570 12-10 (2)	P10 (2)	-	-	-	-	-					
LCMA10 LCMD10 SCMS10	10mm ² Class 5f Only	-	-	-	-	-	-	-	-	-					
LCMA16 LCMD16 SCMS16	10mm ² Class 5f Class 6f	-	-	-	-	CD-2001-8 Red P21 (1)	CD-920-8 Red P21 (1)	CD-920-4 Gray P29	CDI-920-10 1	(1)					
LCMA25 LCMD25	16mm ² Class 5f Class 6f	-	-	-	-	CD-2001-8 Red P21 (1)	CD-920-8 Red P21 (1)	CD-920-4 Gray P29	CDI-920-10 1	(1)					
LCMA35 LCMD35 SCMS35	25mm ² Class 5f Class 6f	-	-	-	-	CD-2001-4 Gray P29 (1)	CD-920-4 Gray P29 (1)	CD-920-1/0 Pink P42	CDI-920-24 2	(1)					
LCMA50 LCMD50 SCMS50	35mm ² Class 5f Class 6f	-	-	-	-	CD-2001-2 Brown P33 (2)	CD-920-2 Brown P33 (2)	CD-920-3/0 Orange P50	CDI-920-24 2	(1)					
LCMA70 LCMD70 SCMS70	50mm ² Class 5f Class 6f	-	-	-	-	CD-2001-1 Green P37 (2)	CD-920-1 Green P37 (2)	CD-920-3/0 Orange P50	CDI-920-24 2	(1)					
LCMA95 LCMD95 SCMS95	70mm ² Class 5f Class 6f	-	-	-	-	CD-2001-2/0 Black P45 (2)	CD-920-2/0 Black P45 (2)	CD-920-250 Yellow P62	CDI-920-48 4	(1)					
LCMA120 LCMD120 LCMDN120 SCMS120	95mm ² Class 5f Class 6f	-	-	-	-	CD-2001-3/0 Orange P50 (2)	CD-920-3/0 Orange P50 (2)	CD-920-400 Blue P76	CDI-920-48 4	(1)					
LCMA150 LCMD150 LCMDN150 SCMS150	120mm ² Class 5f Class 6f	-	-	-	-	-	-	CD-920-400 Blue P76	CDI-920-48 4	(1)					
LCMA185 LCMD185 SCMS185	150mm ² Class 5f Class 6f	-	-	-	-	-	-	CD-920-400 Blue P76	CDI-920-48 4	(1)					
LCMA240 LCMD240 SCMS240	185mm ² Class 5f Class 6f	-	-	-	-	-	-	CD-920-500 Brown P87	CDI-920-48 4	(1)					
LCMA300 LCMD300 SCMS300	240mm ² Class 5f Class 6f	-	-	-	-	-	-	CD-920-750 Black P106	CDI-920-60 6	(1)					
LCMAX300 LCMDX300 SCMSX300	300mm ² Class 5f Only	-	-	-	-	-	-	CD-920-300MX P32	CDI-920-60 6	(1)					
LCMA400 LCMD400 SCMS400	-	-	-	-	-	-	-	-	-	-					
LCMA500 LCMD500 SCMS500	-	-	-	-	-	-	-	-	-	-					
LCMA630 LCMD630 SCMS630	-	-	-	-	-	-	-	-	-	-					

A

CT-2001, CT-2001/L, CT-2001/LE, CT-2002, CT-2002/L, CT-3001, CT-3001/E, CT-3001/ST, CT-3001/STINT, CT-3001/STUK, CT-3001/ST AUS, CT-3001/TO, CT-3001/CCP, CT-3001/CCPINT, CT-3001/CCPUK, CT-3001/CCPAUS, CT-3001/CCPTO

B

CT-920, CT-920/CV, CT-920CH, CT-920CH/CV, CT-920CH/CCP, CT-930, CT-930CH, CT-940CH*, CT-2920, CT-2920/CCP, CT-2920/CCPINT, CT-2920/CCPUK, CT-2920/CCPAUS, CT-2920/CCPTO, CT-2930, CT-2930/L, CT-2930/LE, CT-2931, CT-2931/ST, CT-2931/STINT, CT-2931/STUK, CT-2931/ST AUS, CT-2931/TO, CT-2931/STCV, CT-2931/STCVINT, CT-2931/STCVUK, CT-2931/STCVAUS, CT-2931/CVTO, CT-2940*, CT-2940/L*, CT-2940/LE*, CT-2940/ST*, CT-2940/STINT*, CT-2940/STUK*, CT-2940/ST AUS*, CT-2940/TO*

* CD-920 dies can be used with CT-940CH and CT-2940 tools with die adapter.
 ** CD-940 dies to be used exclusively with CT-940CH and CT-2940 tools.
 *** Cembre tools used with Panduit CD-920 dies. Maximum splice size with Cembre tools is SCMS185.
 ± Maximum splice size is SCMS185, Maximum splice size SCMS400 with CT-2920/CCP AND CT-2920CH/CCP

<p>For Instructions in Local Languages and Technical Support:</p> <p>www.panduit.com/resources/install_maintain.asp</p>	 <p>www.panduit.com</p>	<p>E-mail: cs@panduit.com</p> <p>Fax: 708-444-6993</p>
--	---	--