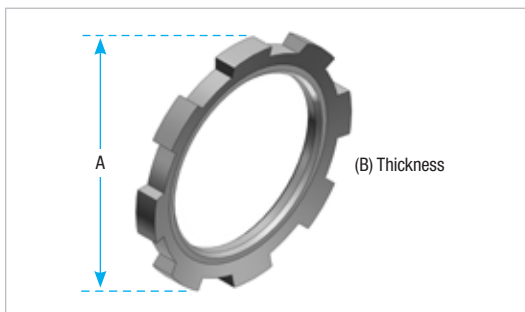


Rigid and Intermediate Metal Conduit Fittings



Steel or malleable iron (steel thru 2 in.)
or Aluminum 624

Many of the T&B standard conduit and cable fittings are furnished with "case hardened locknuts". This exclusive feature means the locknut tightens up against the box without deforming; the locknut bites into the box providing a positive ground; the fitting can be tightened from outside the box

Locknuts

Stl. or M.I.	Cat. No.		Size (in.)	Dimensions (in.)	
	Alum.	SST		A	B
139*†	—	—	1/4	27/32	5/32
140*	—	—	3/8	15/16	5/32
141**	141AL	141SST	1/2	1-7/64	5/32
142-TB**	142AL	142SST	3/4	1-3/8	3/16
143	143AL	143SST	1	1-11/16	13/64
144	144AL	144SST	1-1/4	2-5/32	13/64
145	145AL	145SST	1-1/2	2-1/2	13/64
146-TB	146AL	146SST	2	3	7/32
147	147AL	—	2-1/2	3-9/16	13/32
148	148AL	—	3	4-3/16	13/32
149	149AL	—	3-1/2	4-13/16	15/32
150	150AL	—	4	5-5/16	15/32
151	151AL	—	4-1/2	5-15/16	17/32
152	152AL	—	5	6-1/2	17/32
153	153AL	—	6	7-3/4	17/32

* Hex shape

** Case hardened locknuts

Aluminum locknuts comply with federal standard of copper-free aluminum; less than 0.4% copper

† Not UL or CSA certified



Steel or malleable iron (steel thru 2 in.)

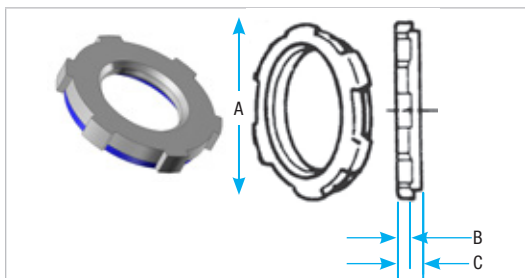
Use anywhere an ordinary locknut is installed to ensure positive bonding of conduit to box and prevent loosening due to vibration. Also can be used for Service Entrance applications in conformance with Code. T&B rigid conduit and EMT (thinwall) fittings comply with Federal Specification WF 408c.

Bonding Locknuts



Cat. No.	Size (in.)	Screw Size (in.)	Dimensions (in.)	
			A	B
106	1/2	8-32 x 7/16	1-3/8	0.125
107	3/4		1-5/8	0.140
108	1		1-15/16	0.170
109	1-1/4		2-5/32	0.170
110-TB	1-1/2		2-1/2	0.170
111	2		3	0.187
112-TB	2-1/2	1/4-20 x 5/8	3-13/32	0.375
113-TB	3		4-13/16	0.375
114	3-1/2		4-29/32	0.438
115-TB	4		5-7/16	0.438

Steel finish: zinc plated



Molded Santprene Seal / Colour: Blue

Provides positive seal against water and oil. For use with rigid and intermediate metal conduits, or fittings to provide watertight or raintight seal at all enclosures. NPS threads..

Fittings



Cat. No.	Size (in.)	Dimensions (in.)		
		A	B	C
141SL	1/2	1.140	1/8	1/4
142SL	3/4	1.420	5/32	9/32
143SL	1	1.770	11/64	9/32
144SL	1-1/4	2.281	11/64	5/16
145SL	1-1/2	2.598	11/64	9/32
146SL	2	3.175	3/16	19/64

Steel finish: zinc plated