

DIGITAL NAVIGATION

[Ordering Tree](#) [Platform](#) [Photometrics](#) [Performance Data](#)

FEATURES & SPECIFICATIONS

INTENDED USE — The CPX Series LED is a low-glare panel featuring an external driver. This cost-effective, reliable flat panel is visually comfortable and can be recessed mounted. Suitable for many applications such as schools, offices, retail, convenience stores, hospitals, healthcare facilities and other commercial spaces. Certain airborne contaminants can diminish integrity of acrylic. [Click here for Acrylic Environmental Compatibility table for suitable uses](#). Adjustable Lumen (ALO7, ALO8) and Switchable White (SWW7) configurations available. **U.S. Patent No. 10,681,784.**

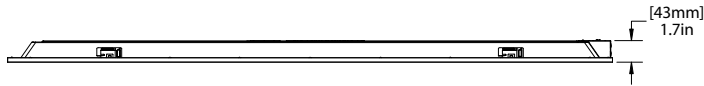
CONSTRUCTION — The extruded aluminum frame with satin white lens provides excellent shielding and uniform luminance. CPX's low-profile design provides increased installation flexibility especially in restricted plenum spaces. The back plate includes integral T-bar clips for installation into T-grid ceilings.

ELECTRICAL — Direct-lit Panel with Long-Life LEDs, coupled with a high-efficiency driver, provide superior illumination for extended service life. Greater than 70% LED lumen maintenance at 60,000 hours (L70>60,000). 0-10V dimming driver, dims to 10% and contains non-isolated dimming leads.

LISTINGS — CSA certified to meet US and Canadian standards. Damp location listed. IC rated. IP5X Rated. DesignLights Consortium® (DLC) qualified product. Not all versions of this product may be DLC qualified. Please check the DLC Qualified Products List at www.designlights.org/QPL to confirm which versions are qualified. Rated for NSF/ANSI Standard 2 - Light Fixture for Splash Zone and Non Food Zone. NOM Certified.

WARRANTY — 5-year limited warranty. This is the only warranty provided and no other statements in this specification sheet create any warranty of any kind. All other express and implied warranties are disclaimed. Complete warranty terms located at: www.acuitybrands.com/support/warranty/terms-and-conditions

Note: Actual performance may differ as a result of end-user environment and application. All values are design or typical values, measured under laboratory conditions at 25 °C. Specifications subject to change without notice



| |
|----------------|
| Catalog Number |
| Notes |
| Type |

CPX LED PANEL

Non-Configurable
1' x 4', 2' x 2' and 2' x 4'



[†] Tested in accordance with ISO 14644-1; suitable for ISO Class 5-9 positive and negative pressure clean rooms.

Non-Configurable FIXTURES

ORDERING INFORMATION

| Catalog Number | UPC | Description | Lumens | Color Temperature | CRI | Voltage | Wattage | Efficacy | Pallet Qty. |
|-----------------------------|--------------|-------------------------------------|----------------------|-------------------|-----|---------|----------------------|----------------------|-------------|
| CPX 2X2 3200LM 35K M4 | 191848338537 | 2x2 LED Panel | 3555 | 3500K | 80 | 120-277 | 31.5 | 114 | 40 |
| CPX 2X2 3200LM 40K M4 | 191848338650 | 2x2 LED Panel | 3659 | 4000K | 80 | 120-277 | 31.5 | 116 | 40 |
| CPX 2X2 3200LM 50K M4 | 193048313642 | 2x2 LED Panel | 3737 | 5000K | 80 | 120-277 | 31.5 | 119 | 40 |
| CPX 2X2 32L 35K JOTV TX15 | 194995615575 | 2X2 LED Panel with Sensor | 3685 | 3500K | 80 | 120-277 | 32 | 115 | 40 |
| CPX 2X2 32L 40K JOTV TX15 | 194995405374 | 2x2 LED Panel with Sensor | 3767 | 4000K | 80 | 120-277 | 31 | 121 | 40 |
| CPX 2X4 4000LM 35K M2 | 191848338490 | 2x4 LED Panel | 4543 | 3500K | 80 | 120-277 | 38.9 | 118 | 20 |
| CPX 2X4 4000LM 40K M2 | 191848338506 | 2x4 LED Panel | 4692 | 4000K | 80 | 120-277 | 38.9 | 121 | 20 |
| CPX 2X4 4000LM 50K M2 | 193048313680 | 2x4 LED Panel | 4766 | 5000K | 80 | 120-277 | 38.9 | 123 | 20 |
| CPX 2X4 40L 35K JOTV TX15 | 194995615599 | 2X4 LED Panel with Sensor | 5036 | 3500K | 80 | 120-277 | 39 | 128 | 20 |
| CPX 2X4 40L 40K JOTV TX15 | 194995405404 | 2x4 LED Panel with Sensor | 5194 | 4000K | 80 | 120-277 | 39.3 | 132 | 20 |
| CPX 1X4 ALO7 SWW7 M4 | 194994568063 | 1X4 Switchable Panel | See Switchable Table | 3500K/4000K/5000K | >80 | 120-277 | See Switchable Table | See Switchable Table | 40 |
| CPX 1X4 ALO7 SWW7 UVOLT M4 | 194994625926 | 1X4 Switchable Panel | See Switchable Table | 3500K/4000K/5000K | >80 | 120-347 | See Switchable Table | See Switchable Table | 40 |
| CPX 1X4 ALO7 SWW7 IE10WCP | 194995604456 | 1X4 Switchable Panel with Battery ‡ | See Switchable Table | 3500K/4000K/5000K | >80 | 120-277 | See Switchable Table | See Switchable Table | 26 |
| CPX 2X2 ALO7 SWW7 M4 | 193048542806 | 2X2 Switchable Panel | See Switchable Table | 3500K/4000K/5000K | >80 | 120-277 | See Switchable Table | See Switchable Table | 40 |
| CPX 2X2 ALO7 SWW7 IE10WCP | 194995604494 | 2X2 Switchable Panel with Battery ‡ | See Switchable Table | 3500K/4000K/5000K | >80 | 120-277 | See Switchable Table | See Switchable Table | 26 |
| CPX 2X4 ALO8 SWW7 M2 | 193048542844 | 2X4 Switchable Panel | See Switchable Table | 3500K/4000K/5000K | >80 | 120-277 | See Switchable Table | See Switchable Table | 20 |
| CPX 2X4 ALO8 SWW7 IE10WCP | 194995604319 | 2X4 Switchable Panel with Battery ‡ | See Switchable Table | 3500K/4000K/5000K | >80 | 120-277 | See Switchable Table | See Switchable Table | 13 |
| CPX 2X2 3400LM 35K UVOLT M4 | 193048887136 | 2x2 Flat Panel | 3555 | 3500K | >80 | 120-347 | 32 | 111 | 40 |
| CPX 2X2 3400LM 40K UVOLT M4 | 193048887150 | 2x2 Flat Panel | 3659 | 4000K | >80 | 120-347 | 32 | 114 | 40 |
| CPX 2X4 4300LM 35K UVOLT M2 | 193048887181 | 2x4 Flat Panel | 4543 | 3500K | >80 | 120-347 | 40 | 113 | 20 |
| CPX 2X4 4300LM 40K UVOLT M2 | 193048887198 | 2x4 Flat Panel | 4692 | 4000K | >80 | 120-347 | 40 | 117 | 20 |

‡ Switchable CPX fixtures with IE10WCP will default to 5000K when in emergency mode.

SWITCHABLE PERFORMANCE DATA

| Switchable Table | | | | | | |
|------------------|----------------------|---------------|-------|-------|---------|----------|
| Size(ft) | Nomenclature | Lumen Package | CCT | Lumen | Wattage | Efficacy |
| 1x4 | CPX 1x4 AL07 SWW7 M4 | Low Lumen | 3500K | 2430 | 19.7 | 123.4 |
| | | | 4000K | 2594 | 19.7 | 131.7 |
| | | | 5000K | 2483 | 19.5 | 127.3 |
| | | Med Lumen | 3500K | 3289 | 28.4 | 115.8 |
| | | | 4000K | 3583 | 27.2 | 131.7 |
| | | | 5000K | 3369 | 28.2 | 119.5 |
| | | High Lumen | 3500K | 3914 | 35.7 | 109.6 |
| | | | 4000K | 4280 | 33.7 | 127 |
| | | | 5000K | 4009 | 35.5 | 112.9 |
| 2x2 | CPX 2X2 AL07 SWW7 M4 | Low Lumen | 3500K | 2399 | 19.1 | 125.6 |
| | | | 4000K | 2570 | 18.5 | 138.9 |
| | | | 5000K | 2456 | 19.1 | 128.6 |
| | | Med Lumen | 3500K | 3356 | 28.7 | 116.9 |
| | | | 4000K | 3649 | 27.5 | 132.7 |
| | | | 5000K | 3427 | 28.5 | 120.2 |
| | | High Lumen | 3500K | 4131 | 37.5 | 110.2 |
| | | | 4000K | 4564 | 35.8 | 127.5 |
| | | | 5000K | 4212 | 37.3 | 112.9 |
| 2x4 | CPX 2X4 AL08 SWW7 M2 | Low Lumen | 3500K | 3813 | 28.94 | 131.8 |
| | | | 4000K | 4033 | 28.1 | 143.5 |
| | | | 5000K | 3938 | 28.86 | 136.5 |
| | | Med Lumen | 3500K | 4677 | 36.8 | 127.1 |
| | | | 4000K | 5009 | 35.55 | 140.9 |
| | | | 5000K | 4834 | 36.65 | 131.9 |
| | | High Lumen | 3500K | 6048 | 50.56 | 119.6 |
| | | | 4000K | 6563 | 48.53 | 135.2 |
| | | | 5000K | 6241 | 50.24 | 124.2 |

ACCESSORIES

Accessories: Order as separate catalog number.

| | |
|------------------------------------|---|
| ILBLP CP10 HE SD A | IOTA 10 Watt Constant Power, High Efficiency LED Emergency Driver for CA Title 20 ‡ |
| ELA PSDMT | Remote mount tray for ILBLP battery. |
| DGA14 | Drywall grid adapter for 1x4 recessed fixture. |
| DGA22 | Drywall grid adapter for 2x2 recessed fixture. |
| DGA24 | Drywall grid adapter for 2x4 recessed fixture. |
| 1X4SMKSH | Multi-Use Surface Mount Kit 1x4, Shallow Depth |
| 2X2SMKSH | Multi-Use Surface Mount Kit 2x2, Shallow Depth |
| 2X4SMKSH | Multi-Use Surface Mount Kit 2x4, Shallow Depth |
| 1X4SMKSH PAF | Multi-Use Surface Mount Kit 1X4 Post-Paint |
| 2X2SMKSH PAF | Multi-Use Surface Mount Kit 2X2 Post-Paint |
| 2X4SMKSH PAF | Multi-Use Surface Mount Kit 2X4 Post-Paint |
| PAC 2DNF 36 | Panel Air Craft Kit, 2 cables with Y splitter, No Power Feed, 36 inches. Recommended for 2X2 or 1X4 Panel Fixture. |
| PAC 2DF 36 | Panel Air Craft Kit, 2 cables with Y splitter, with Power Feed, 36 inches. Recommended for 2X2 or 1X4 Panel Fixture. ¹ |
| PAC 4DNF 36 | Panel Air Craft Kit, 4 cables, No Power Feed, 36 inches. Recommended for 2X4 or 2X2 or 1X4 Panel Fixtures. |
| PAC 4DF 36 | Panel Air Craft Kit, 4 cables, with Power Feed, 36 inches. Recommended for 2X4 or 2X2 or 1X4 Panel Fixtures. ¹ |
| PAC 2DNF 72 | Panel Air Craft Kit, 2 cables with Y splitter, No Power Feed 72 inches. Recommended for 2X2 or 1X4 Panel Fixture. |
| PAC 2DF 72 | Panel Air Craft Kit, 2 cables with Y splitter, with Power Feed, 72 inches. Recommended for 2X2 or 1X4 Panel Fixture. ¹ |
| PAC 4DNF 72 | Panel Air Craft Kit, 4 cables, No Power Feed, 72 inches. Recommended for 2X4 or 2X2 or 1X4 Panel Fixtures. |
| PAC 4DF 72 | Panel Air Craft Kit, 4 cables, with Power Feed, 72 inches. Recommended for 2X4 or 2X2 or 1X4 Panel Fixtures. ¹ |
| RK8BDP 2P U | Disconnect Plug (BDP), 2 Pole, Package of 1 |
| RK8BDP 3P U | Disconnect Plug (BDP), 3 Pole, Package of 1 |
| RK8BDP 2P J10 | Disconnect Plug (BDP), 2 Pole, Package of 10 |
| RK8BDP 2P J40 | Disconnect Plug (BDP), 2 Pole, Package of 40 |

Emergency Battery Delivered Lumens

Use the formula below to determine the delivered lumens in emergency mode

$$\text{Delivered Lumens} = 1.25 \times P \times \text{LPW}$$

P = Output power of emergency driver (10W for PS1055)

LPW = Lumen per watt rating of the luminaire.

Notes

¹ For MVOLT only, not available with 347V.

Emergency Battery Pack Options - Field Installable

| Battery Model Number | Wattage | Runtime (Minutes) | Lumen Output* @ 120 Lumens/Watt | Other |
|------------------------------------|---------|-------------------|---------------------------------|-------------------------------|
| ILB CP07 2H A | 7W | 120 | 840 | Storm Shelter/ 2-hour Runtime |
| ILB CP10 A | 10W | 90 | 1200 | |
| ILBLP CP10 HE SD A | 10W | 90 | 1200 | Title 20, Self Diagnostic |
| ILBLP CP15 HE SD A | 15W | 90 | 1800 | Title 20, Self Diagnostic |
| ILB CP20 HE A | 20W | 90 | 2400 | Title 20 |
| ILB CP20 HE SD A | 20W | 90 | 2400 | Title 20, Self Diagnostic |

All the above are UL Listed products that are certified for field install external/remote to the fixture.

*Minimum delivered lumen output to assist in product selection for increased fixture mounting height.

The CP10 delivered emergency illumination outperforms legacy 1400 lumen fluorescent emergency ballast.

Please contact us at productsupportemergency@acuitybrands.com for any Emergency Battery related questions.

Lumen Maintenance

| Reported Lumen Maintenance | Forecasted Lumen Maintenance |
|---|---|
| L90 @ 52k Hrs / L80 @ >60k Hrs / L70 @ >60k Hrs | L90 @ 52k Hrs / L80 @ 108k Hrs / L70 @ 170k Hrs |

*Note - Reported LM based on IES standard 6X test period for LM-80 report. Forecasted LM based on TM-21 report extrapolation past 6X LM-80 testing.

CPX compatible with Sensor Switch™ [WSX-D](#) and [SPOD](#) wall switches.



WSX-D



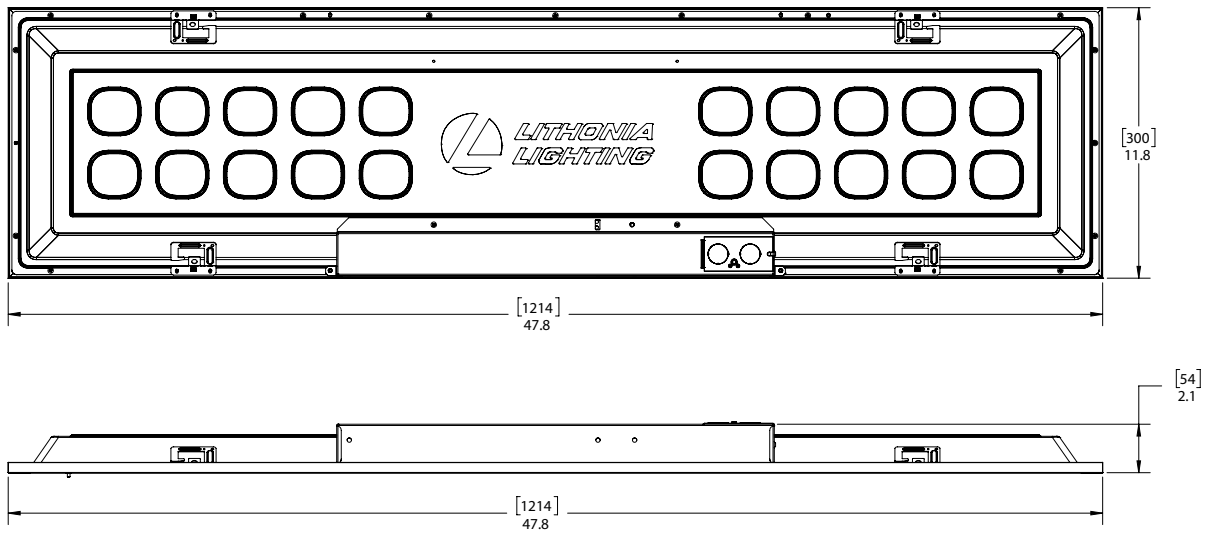
SPOD

PHOTOMETRICS

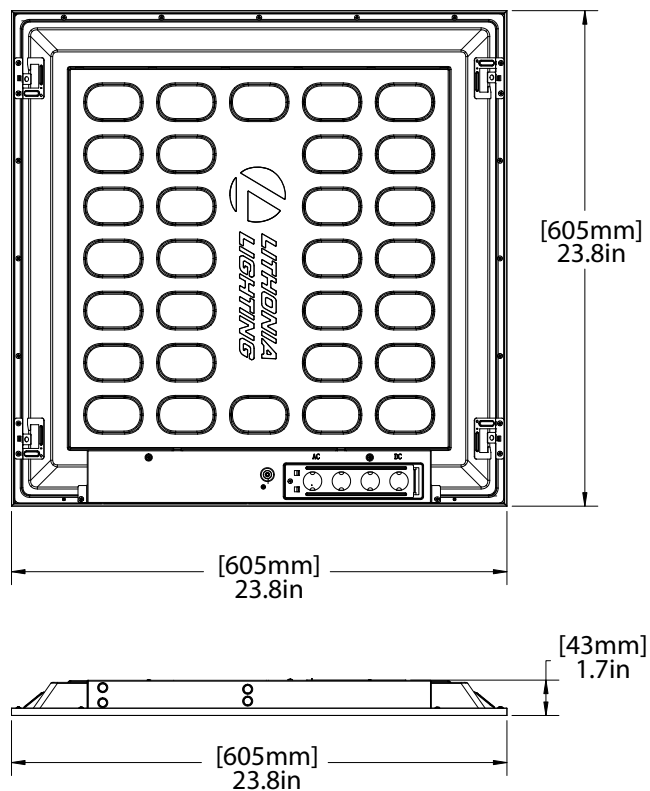
See www.lithonia.com for photometry reports.

DIMENSIONS

Length: 47.8" 121.4cm
 Width: 11.8" 30.0cm
 Depth: 2.1" 5.4cm
 Weight:
 Unit: 8.11lbs
 Unit Carton: 15.1lbs



Length: 23.8" 60.5cm
 Width: 23.8" 60.5cm
 Depth: 1.7" 4.3cm
 Weight:
 Unit: 9.45lbs
 Unit Carton: 10.45lbs
 Master Carton: 39.5lbs



DIMENSIONS

Length: 47.8 (121.4)
Width: 23.8" 60.5cm
Depth: 1.7" 4.3CM
Weight:
Unit: 17.05lbs
Unit Carton: 19.05lbs
Master Carton: 36.55lbs

