



# WPF-LED

Architectural Wall Pack  
Full Cut Off Version



## IDEAL APPLICATIONS

- Schools
- Entrances
- Shopping Malls
- Perimeter Lighting

## DESCRIPTION:

The WPF-LED Series of fixtures are full cut off wall packs in a sleek, modern design ideal for perimeter lighting in schools, condominiums, shopping malls, and commercial applications. Fixtures are versatile with features such as CCT select, lumen adjustability and wide voltage range.

## FEATURES:

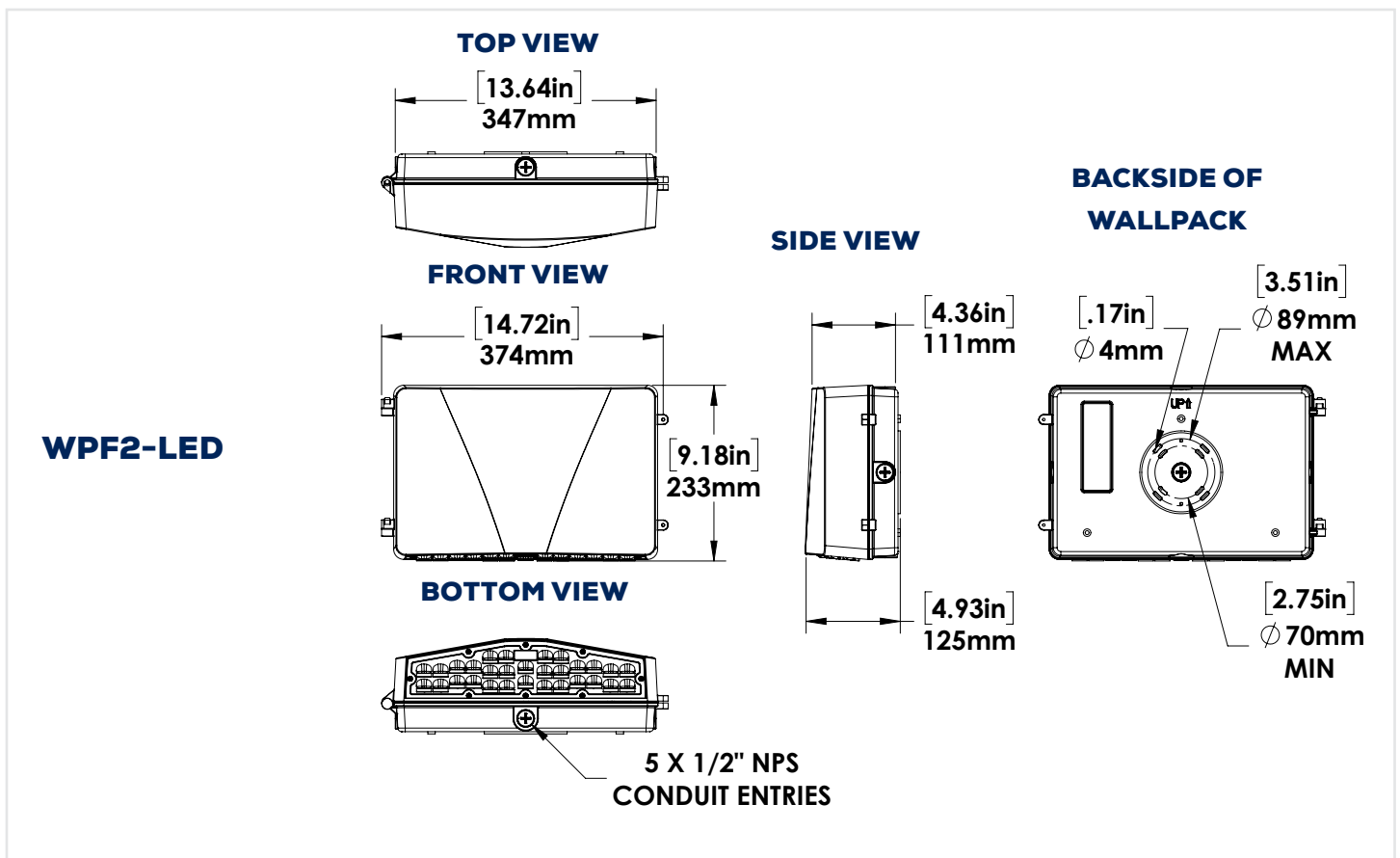
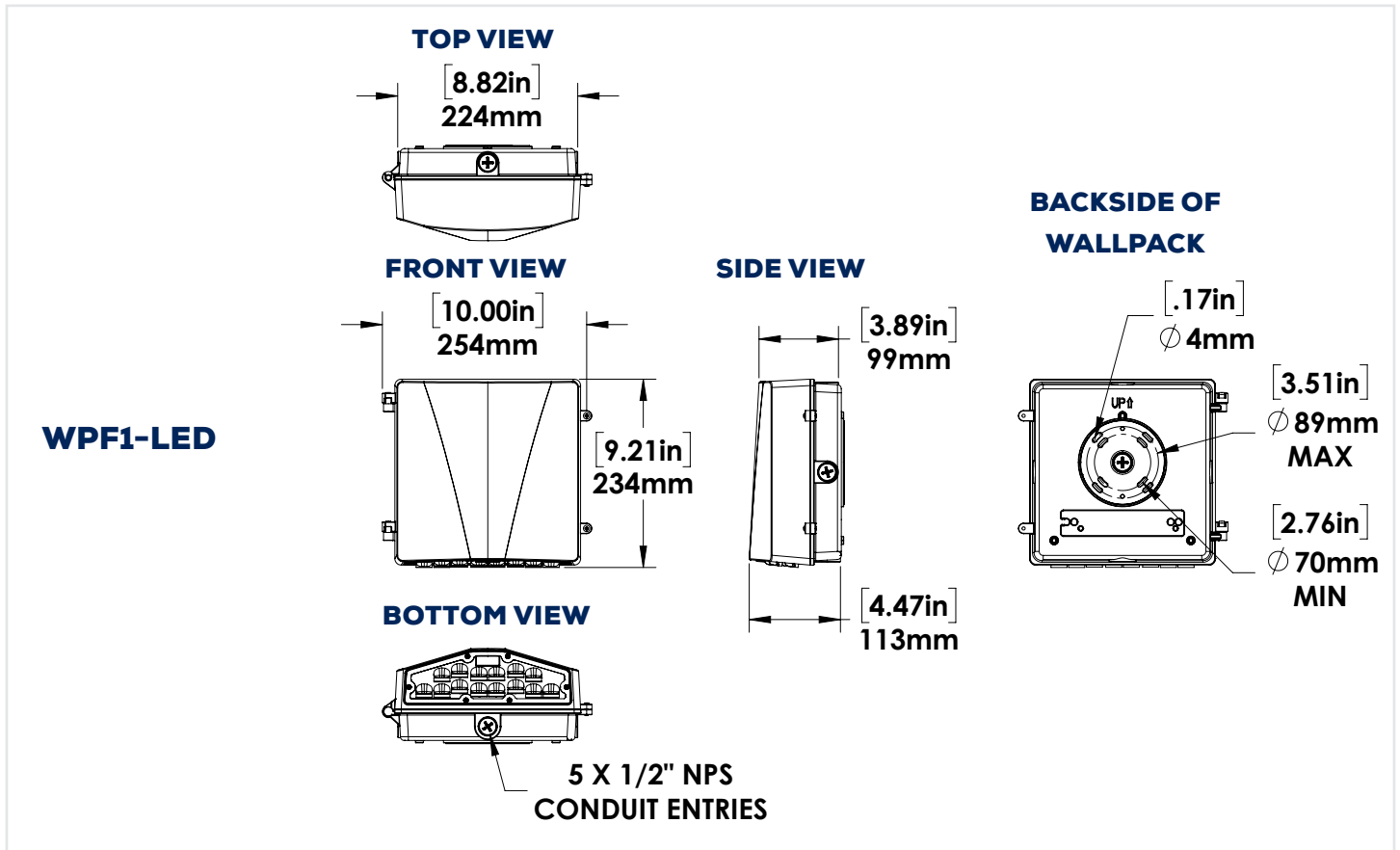
- Fixtures are CCT selectable (3000K/4000K/5000K)
- Three lumen adjustable/wattage settings (refer to page 3 for spec values)
- 120-347V wide voltage range (120-277V or 347V needs to be selected when ordering PC, DMS or SMS).
- Side hinged design allows Installer to use both hands for wiring.
- Fixture has a level bubble for quick alignment.
- Die cast aluminum housing with frosted polycarbonate lens.
- 0-10V dimming is standard.
- This Wallpack has five 1/2" NPS holes (one on each side plus one on the back) with matching plugs, for photocells and sensors installation.
- Optional 8W, 90 min Emergency Battery Back Up, 20W Battery Back up and 20W Cold Battery Back Up available for WPF2 only.
- Motion Sensor Remote Control (RC100) available to program fixture with Dimming High Frequency Sensor (DHFS).

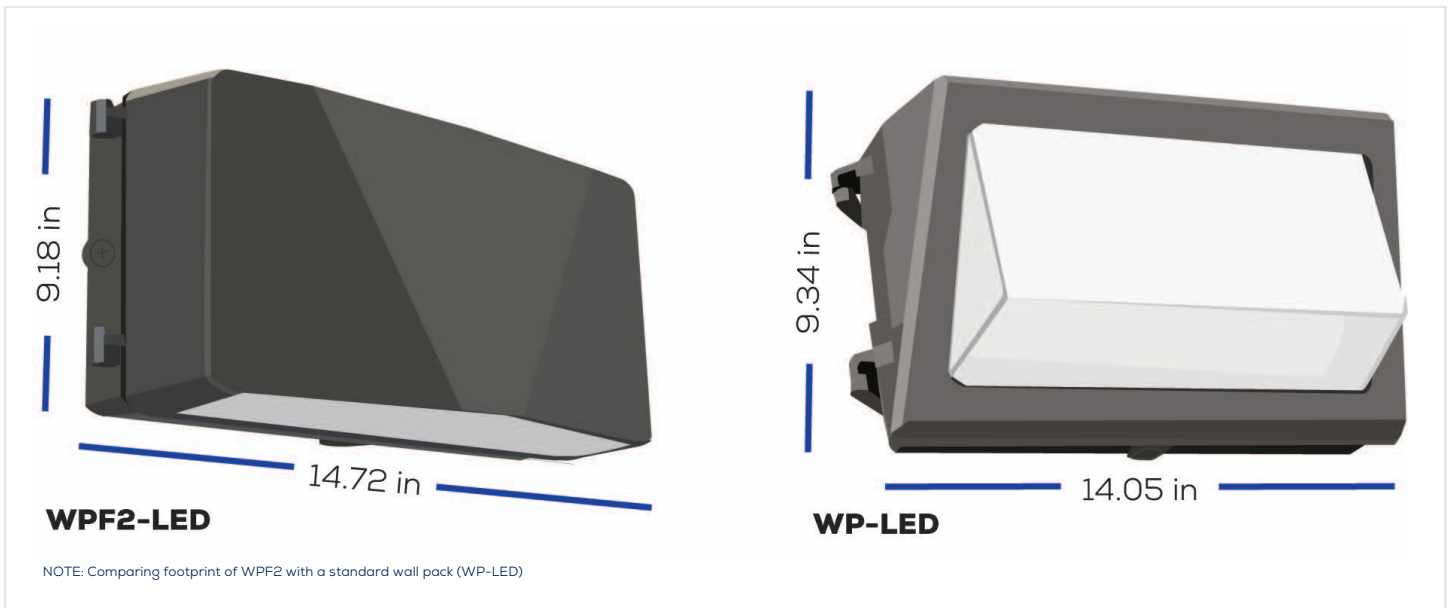
SPECIFICATIONS	WPF1-LED25A15	WPF2-LED55A33
Watts (W)	24 (max)	52.6 (max)
Lumens (Lm)	3397.9 (max)	7560 (max)
Efficacy (Lm/W)	142.9	144.5
Voltage	120 - 347V*	
Colour Temp.	VK - Colour Selectable 3000K/4000K*/5000K (Factory Set for 4K)	
Finish	Bronze*, Custom Colour	
Housing Details	Die Cast Aluminum	
Lens Details	PC Clear Lens	
Mounting	Wall Mount	
THD	14.4%	14.5%
PF	0.92	
LED Life @ 100,000 Hours	83%	
Operating Temp.	-40°C to +40°C	
CRI	73	
Dimming	0-10V Dimming (Range: 10%-100%)*	
Certifications	UL, Wet Locations, IP65, 5 Year Warranty	
Factory Installed Options	Battery Backup**, Photocell, On/Off Motion Sensor & Dimming Motion Sensor, Dimming High Frequency Sensor	

\*STANDARD CONFIGURATION  
 \*\*AVAILABLE ONLY FOR WPF2  
 NOTE: FOR LUMEN OUTPUTS AT DIFFERENT WATTAGE SETTINGS, PLEASE REFER TO LUMEN ADJUSTABLE SETTINGS TABLE ON PAGE 3.



# DIMENSIONS





**AMPERAGE DRAW & SURGE PROTECTION**

	CURRENT (A)					BUILT-IN SURGE PROTECTION
	120V	208V	240V	277V	347V	
WPF1-LED25A15 (Max wattage)	0.22A	0.13A	0.11A	0.1A	0.08A	120-347V  2kV
WPF2-LED55A33 (Max wattage)	0.49A	0.28A	0.25A	0.21A	0.17A	

**LUMEN ADJUSTABLE SETTINGS**

WPF1-LED25A15			
WATTS (W)	15	20	24
LUMENS (Lm)	2143	2858	3398
WPF2-LED55A33			
WATTS (W)	33	45	53
LUMENS (Lm)	4768	6357	7560

**WEIGHT (LBS)**

WPF1-LED25A15	4.04
WPF2-LED55A33	5.12

**LUMEN MAINTENANCE**

	50,000 HRS	75,000 HRS	100,000 HRS
WPF1-LED25A15 WPF2-LED55A33	91.2%	87.1%	83.3%

**SPECIFICATIONS**

Model Number	Voltage (V)	Power (W)	Light Output (lm)	Efficacy (lm/W)	THD (%)	PF	CCT (K)	B-U-G
WPF1-LED25A15-[H;B;C]-VK-XXX-DIM-[DHFS;DMS;SMS;PC;Blank]	120-347	24	3398	142.9	14.39	0.922	3K/4K/5K	1-0-1
WPF2-LED55A33-[H;B;C]-[DHFS;DMS;SMS;PC;Blank]	120-347	53	7560	144.5	14.47	0.924	3K/4K/5K	2-0-2