



ORA3-LED50

LED WALL / FLOOD LIGHT



SPECIFICATIONS*

Watts	50W
Lumens	5470
Efficacy	111 lm/W
Replaces Up To	150W MH 1500W Quartz
Colour Temp	4,000K
Certification	cULus, DLC, IP65
Operating Temp	-40°C to +40°C
Voltage	120-277V, 347V in wall mount
LED Life	100,000 hours
Housing Material	Aluminum
Lens Material	Polycarbonate
Total Harmonic Distortion	19.78%
Power Factor	0.9788
Mounting Options	Yoke Mount, Knuckle Mount, Wall Mount



DESCRIPTION

The ORA-LED is a fully adjustable multi-purpose fixture that replaces traditional wall packs or floods. The ORA features a sleek, elegant design with multiple mounting options.

APPLICATIONS



Town Houses



Condos



Perimeter Lighting



Shopping Malls

FEATURES

- Elegant, sleek design with a modern look.
- Fixture head may be aimed down for dark sky compliance, or aimed out as needed.
- Three mounting options available – knuckle, yoke and wall mount.

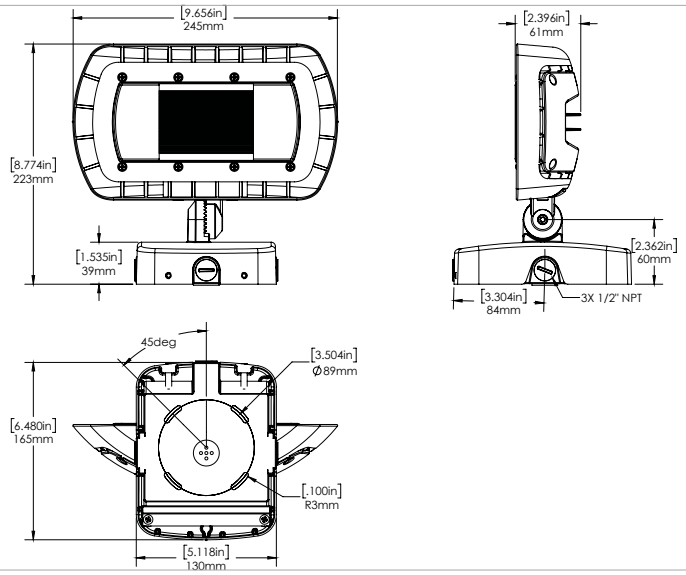
*The above specs apply to the standard product configuration. For spec information on other product configurations please see page 3.

NOTE: Not all of our product configurations are qualified on the DLC QPL. To view all of our DLC qualified products please visit the DLC qualified products list at www.designlights.org/qpl.

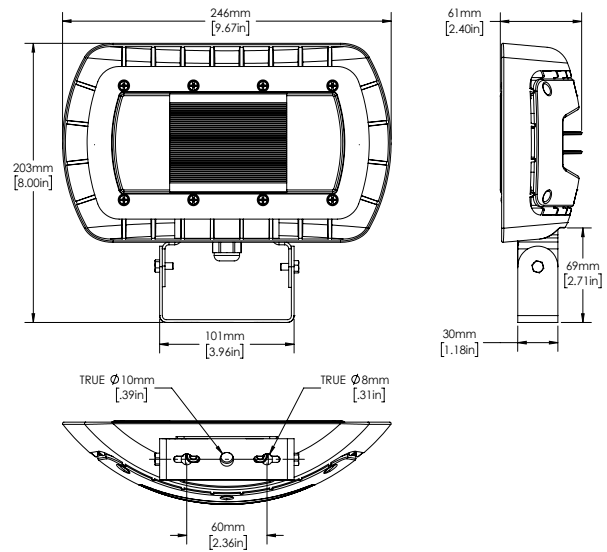
DIMENSIONS



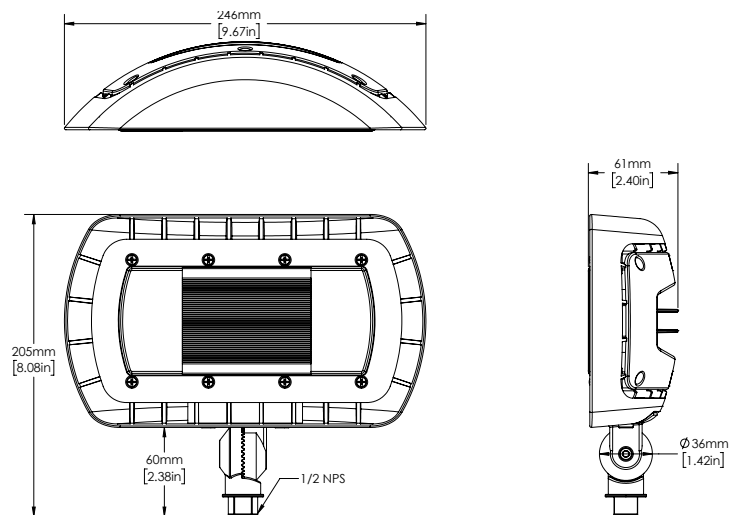
Wall Mount



Yoke Mount

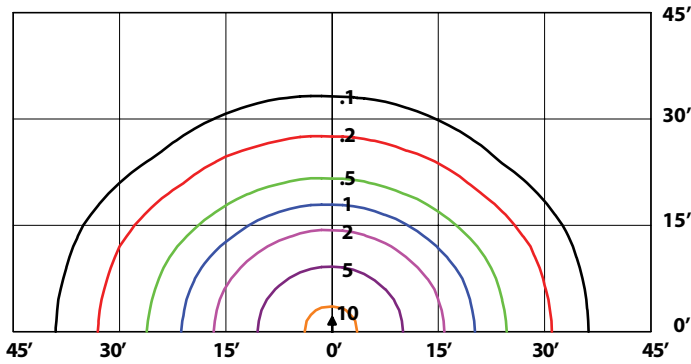


Knuckle Mount



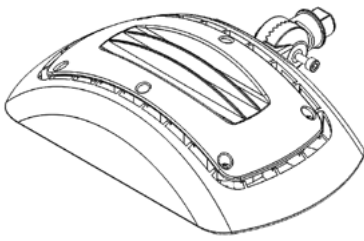
PHOTOMETRICS

ORA3-LED50 4K MOUNTED AT 15 FEET - WALL MOUNT ORIENTATION



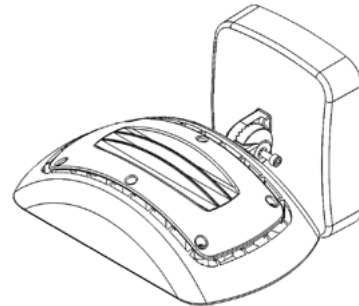
ARCHITECTURAL WALL MOUNT

For architectural wall mount version order ORA knuckle mount with architectural backbox separately



Step One

Remove screw from knuckle mount



Step Two

Mount on bracket with wiring and tighten screw

347V WALL MOUNT

