

688-W

1 GANG RECESSED SINGLE RECEPTACLE, 2-POLE, 3-WIRE, 15A-125V, NEMA 5-15R RESIDENTIAL GRADE. WITH CLOCK HANGER HOOK SUPPLIED. WHITE

Leviton's comprehensive Residential Grade Receptacles portfolio includes devices rated for all residential applications in a variety of standard configurations. They are produced in an array of colors in both Decora and traditional styles. All duplex receptacles are designed with thermoplastic construction and feature a shallow build for maximum wiring room. Each duplex is also equipped with break-off plaster ears and tabs to allow for easy alignment and two-circuit conversion.



Color: White

UPC Code: 07847779196

NEMA:
5-15R



Technical Information

Product Features

Grounding: Grounding

Feature: Clock

Amperage: 15 A

Voltage: 125 VAC

NEMA: 5-15R

Pole: 2

Wire: 3

Termination: Side

Face Material: Thermoplastic

Body Material: Thermoplastic

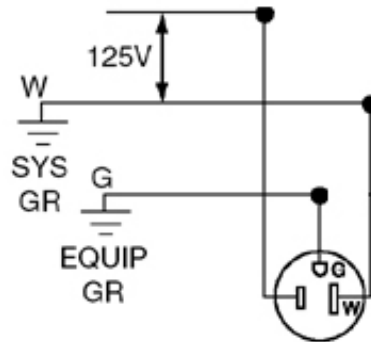
Strap Material: Steel

Color: White

Standards and Certifications: UL/CSA

Warranty: 2 Year Limited

Wiring Diagram



5-15R

SPECIFICATION SUBMITTAL

JOB NAME:	CATALOG NUMBERS:	
<input type="text"/>	<input type="text"/>	<input type="text"/>
JOB NUMBER:	<input type="text"/>	<input type="text"/>

Leviton Manufacturing Co., Inc.

201 North Service Road, Melville, NY 11747

Telephone: +1-800-323-8920 · FAX: +1-800-832-9538 · Tech Line (8:30AM-7:30PM E.S.T. Monday-Friday):
+1-800-824-3005

Leviton Manufacturing of Canada, Ltd.

165 Hymus Boulevard, Pointe Claire, Quebec H9R 1E9 · Telephone: +1-800-469-7890 ·

FAX: +1-800-824-3005 · www.leviton.com/canada

Leviton S. de R.L. de C.V.

Lago Tana 43, Mexico DF, Mexico CP 11290 · Tel.: (+52)55-5082-1040 · FAX: (+52)5386-

1797 · www.leviton.com.mx

Visit our Website at: www.leviton.com

© 2018 Leviton Manufacturing Co., Inc. All Rights Reserved. Subject to change without notice.

Leviton has a global presence.

If you would like to know where your local Leviton office is located please go to:

www.leviton.com/international/contacts/

