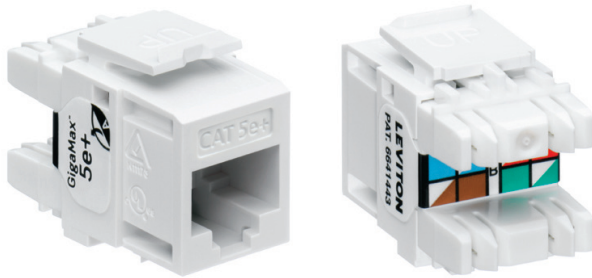


GigaMax® CAT 5e+ Component-Rated UTP Connector

APPLICATION

Leviton's GigaMax® 5e+ CAT 5e Connector is designed to be used with all Leviton QuickPort® compatible products. The connector includes Leviton's patented Retention Force Technology which promotes consistent performance over the life of the system. It includes unique pair separation towers allowing for quicker and easier terminations. The connector is in a 180° configuration with the punch field in the back, allowing for rear termination.



SPECIFICATION

The connector shall meet or exceed the requirements for Category 5e described in ANSI/TIA-568-C.2 as well as the Class D requirements described in ISO/IEC 11801. The connector shall be 180° configuration such that the punch field is in the back, allowing for rear termination. Rear termination field shall include pointed pair separation towers to promote easier installation. All plastics used in construction of the connector bodies shall be fire-retardant with a UL flammability rating of 94V-0. Termination of all connectors shall be 110-type insulation displacement connectors (IDC). The connector shall provide a cutting ledge directly adjacent to the 110-style IDCs against which the wires can be directly terminated and cut in one action. Connector wiring shall be universal and accommodate both T568A and T58B wiring schemes.

FEATURES

- Terminates 26-22 AWG solid conductors
- Capable of multiple reterminations
- Gas-tight IDC connectors prevent corrosion
- Dual-layer T568B/T568A wiring label simplifies punchdown
- Patented Retention Force Technology protects tines from damage from 4- or 6-pin plugs
- Pair Separation Tower design facilitates separation of conductors and minimizes untwisting
- 180° configuration allowing for rear termination
- Available in 13 ANSI/TIA-606-B compatible colors for color coding or organization

DESIGN CONSIDERATIONS

- Use in any QuickPort housing to support GigaMax 5e+ UTP connectivity in surface mount, flush mount, or modular furniture outlets and field configurable panels
- Can be used in conjunction with other QuickPort snap-in modules for voice/data and video applications over UTP, coax and fiber

STANDARDS COMPLIANCE

ANSI/TIA-568-C.2
ISO/IEC 11801
ANSI/TIA-1096-A (formerly FCC Part 68)
cULus Listed

PHYSICAL SPECIFICATIONS

Dimensions: See page 2
Materials: Connector body is high-impact, fire-retardant plastic rated UL 94V-0. Spring wire contacts are high quality copper-based alloy, plated with 50 micro-inches of gold over 100 micro-inches of nickel for lowest electrical contact resistance and maximum life.

COUNTRY OF ORIGIN

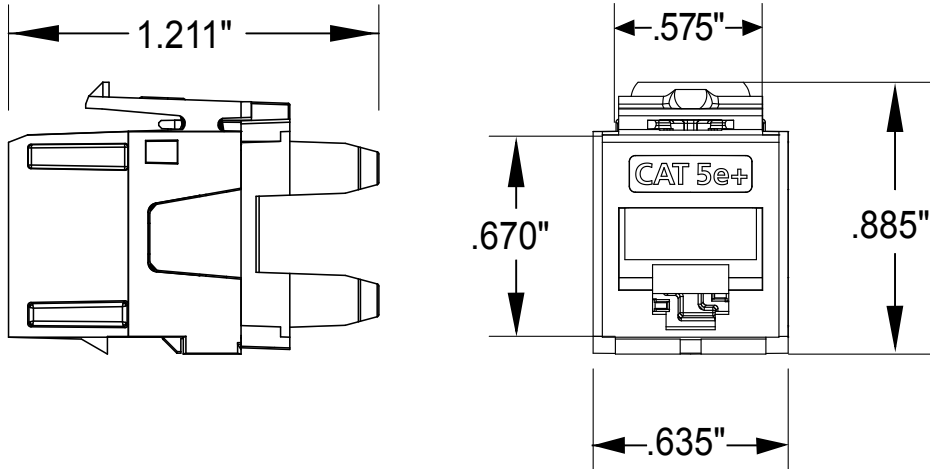
USA

WARRANTY INFORMATION

For a copy of Leviton product warranties, visit www.leviton.com/warranty.

ELECTRONIC FILES

For CAD files, typical specs, or technical drawings (.DXF, .DWG), visit www.leviton.com.



5G110-xx5

PART NUMBERS

Description	Part No.	QuickPack 25/Bag
GigaMax® CAT 5e+ Component-Rated UTP Connector, White	5G110-RW5	5G110-BW5
GigaMax CAT 5e+ Component-Rated UTP Connector, Ivory	5G110-RI5	5G110-BI5
GigaMax CAT 5e+ Component-Rated UTP Connector, Grey	5G110-RG5	5G110-BG5
GigaMax CAT 5e+ Component-Rated UTP Connector, Black	5G110-RE5	5G110-BE5
GigaMax CAT 5e+ Component-Rated UTP Connector, Orange	5G110-RO5	5G110-BO5
GigaMax CAT 5e+ Component-Rated UTP Connector, Blue	5G110-RL5	5G110-BL5
GigaMax CAT 5e+ Component-Rated UTP Connector, Crimson Red	5G110-RC5	5G110-BC5
GigaMax CAT 5e+ Component-Rated UTP Connector, Yellow	5G110-RY5	5G110-BY5
GigaMax CAT 5e+ Component-Rated UTP Connector, Green	5G110-RV5	5G110-BV5
GigaMax CAT 5e+ Component-Rated UTP Connector, Purple	5G110-RP5	5G110-BP5
GigaMax CAT 5e+ Component-Rated UTP Connector, Light Almond	5G110-RT5	5G110-BT5
GigaMax CAT 5e+ Component-Rated UTP Connector, Brown	5G110-RB5	5G110-BB5
GigaMax CAT 5e+ Component-Rated UTP Connector, Dark Red	5G110-RR5	5G110-BR5



Leviton Network Solutions
2222 - 222nd St. SE
Bothell, WA 98021-4416

Asia / Pacific
T +1.631.812.6228
E infoasean@leviton.com

Canada
T +1.514.954.1840
E pcservice@leviton.com

Caribbean
T +1.954.593.1896
E infocaribbean@leviton.com

China
T +852.2774.9876
E infochina@leviton.com

Colombia
T +57.1.743.6045
E infocolombia@leviton.com

tel 1-800-824-3005
tel +1-425-486-2222
appeng@leviton.com
www.leviton.com

Europe
T +33.6.8869.1380
E infoeurope@leviton.com

India / SAARC
T +91.80.4322.5678
E infoindia@leviton.com

Mexico
T +52.55.5082.1040
E lsamarketing@leviton.com

Middle East & Africa
T +971.4.886.4722
E lmeinfo@leviton.com

South Korea
T +82.2.3273.9963
E infokorea@leviton.com