

434



UPC Code: 07847710751

Country of Origin: Mexico - *Eligible for
ARRA funded projects > \$7,443,000



Lampholders

Item Description

Medium Base, Bi-Pin, Standard Fluorescent Lampholder, Butt-On, Tempered Spring Steel Clip, Turn-Type, , 9-Inch 18-AWM TEW Wire Leads - White

Technical Information

Electrical Specifications

Voltage: 600 Volt

Rated Wattage: 660W

Material Specifications

Body Material: Thermoplastic

Contact Material: Copper-Alloy

Color: White

Availability: Distribution

Mechanical Specifications

Mounting Type: Tempered Spring Steel Clip

Contact Type: Turn-Type

Termination: 9-Inch 18-AWM TEW Wire Leads

Wire Strip Length: 3/4 Inch

Product Features

Lamp Base: Medium

Lamp Contacts: Bi-Pin

Style Name: Butt-On

Mounting Type: Tempered Spring Steel Clip

Contact Type: Turn-Type

Termination: 9-Inch 18-AWM TEW Wire Leads

Rated Wattage: 660W

Color: White

Standards and Certifications:
UL/CSA/NOM

Warranty: 1 Year Limited

Availability: Distribution

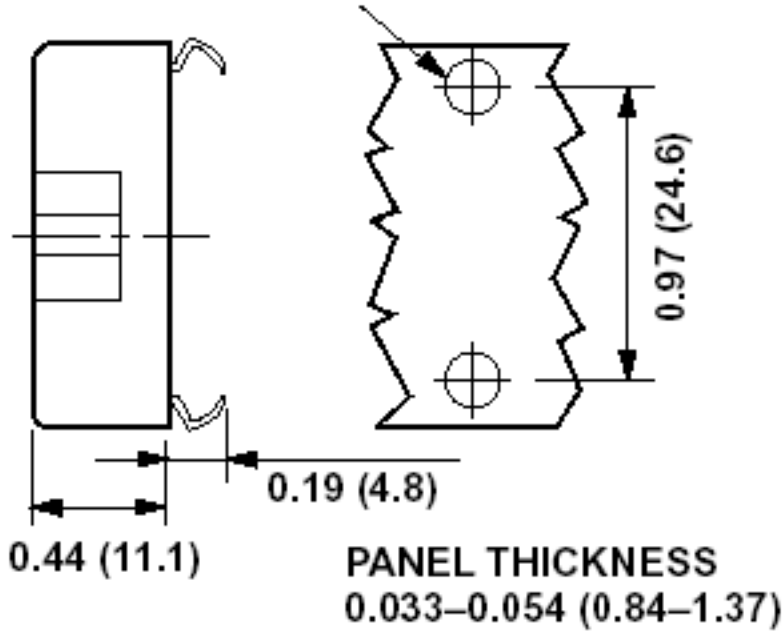
Standards and Certifications

UL Listed: File E5833

CSA Certified: File LR-5863

NOM Certified: 057

(2) .156 (3.96) DIA. HOLES
FOR SNAP-IN CLIPS



SPECIFICATION SUBMITTAL

JOB NAME: <input type="text"/>	CATALOG NUMBERS: <input type="text"/>	
JOB NUMBER: <input type="text"/>	<input type="text"/>	<input type="text"/>

Leviton Manufacturing Co., Inc.
201 North Service Road, Melville, NY 11747
Telephone: 1-800-323-8920 · FAX: 1-800-832-9538 · Tech Line (8:30AM-7:30PM E.S.T. Monday-Friday): 1-800-824-3005

Leviton Manufacturing of Canada, Ltd.
165 Hymus Boulevard, Pointe Claire, Quebec H9R 1E9 · Telephone: 1-800-469-7890 ·
FAX: 1-800-824-3005 · www.leviton.com/canada

Leviton S. de R.L. de C.V.
Lago Tana 43, Mexico DF, Mexico CP 11290 · Tel.: (+52)55-5082-1040 · FAX: (+52)5386-1797 · www.leviton.com.mx

Visit our Website at: www.leviton.com
© 2012-2013 Leviton Manufacturing Co., Inc. All rights reserved. Subject to change without notice.

Leviton has a global presence.
If you would like to know where your local Leviton office is located please go to: www.leviton.com/international/contacts/



**Buy American Compliant Logo -- The American Recovery And Reinvestment Act of 2009 ("ARRA") provides federal grants and loans for projects throughout the country. Section 1605 of the Act, named the "Buy American" provision, requires that certain materials and manufactured products used in projects funded by the Act be manufactured in the United States. The appearance of the Recovery Act Logo in relation to a Leviton product is only intended to reflect that such product may be used in an ARRA funded project. It does not mean that such product or Leviton is sponsored or endorsed by, or that Leviton receives funds from, the federal government or the Recovery Accountability and Transparency Board. Nothing in Leviton's use of the logo is intended to suggest anything regarding the requirements for funding under ARRA.*