

Category 3 Snap-in Connectors

APPLICATION

Voice Grade connector for structured cabling systems. Compatible with all QuickPort® housings, Multimedia Outlet System (with QuickPort module adapter), patch panels and patch blocks.

FEATURES

- Dual wiring code label allows connector to be wired to either T568A or T568B.
- Exclusive cutting ledge combines termination and trim into one labor-saving step.
- Individual-port configurability allows specification flexibility.
- Robust one-piece lead-frame design.
- Narrow connector allows high port density in a small area.

STANDARDS COMPLIANCE

Meets or exceeds all applicable standards: UL Listed; CSA Certified; complies with NEC® Article 800 and TIA/EIA-568-B; and meets FCC Part 68.

PHYSICAL SPECIFICATIONS

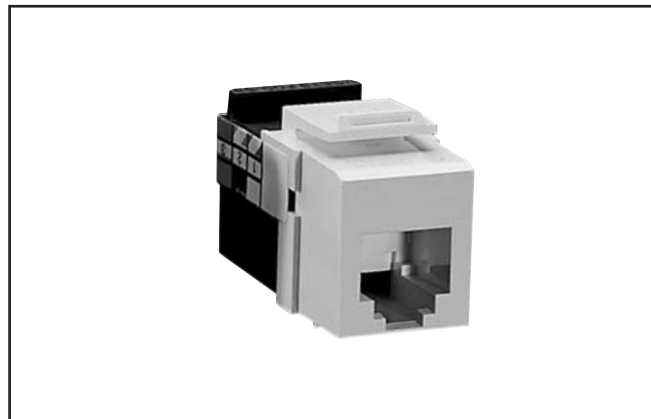
Dimensions: .885"H x .636"W x 1.179"D

Materials: Connector body is high-impact, fire-retardant plastic rated UL 94V-0. Spring wire contacts are highest quality phosphor bronze, plated with 50 microinches of gold over 100 microinches of nickel for lowest contact resistance, maximum life. Connector 110 IDC contacts are solder plated phosphor bronze.

DESIGN CONSIDERATIONS

- Designed for cable termination with a 110-type termination tool.
- Detailed installation instructions are included in the standard pack.
- All QuickPort connector performance grades have the same design and termination method, to promote installation consistency.

See ELECTRONIC FILES for CAD files (.DXF, .DWG, MS-DOS.EPS) on disk



WARRANTY INFORMATION

For a copy of Leviton product warranties, log on to www.levitonvoicedata.com/warranty.

For ELECTRONIC Typical Specs see (.TXT) file on disk.

TYPICAL SPECIFICATION

The Category 3 connectors shall be individual snap-in style, and provide compliance with TIA/EIA-568-A specifications. The connectors shall comply with FCC Part 68; UL listed and CSA Certified. All plastics used in construction of the connector bodies shall be fire-retardant with a UL flammability rating of 94V-0. Termination of all connectors shall be 110-type insulation displacement connectors (IDC) with solder-plated phosphor bronze contacts. The connector shall provide a ledge directly adjacent to the 110-style termination against which the wires can be directly terminated and cut in one action by the installation craftsman. Connector wiring label shall provide installation color codes for both T568A and T568B wiring schemes.



For Technical Support Call 1-425-485-4288; in USA call 1-800-824-3005.
Spec sheets and updates are also available at www.levitonvoicedata.com.

2222 - 222nd St. SE • Bothell, WA 98021 USA
Tel: 1-800-722-2082 / 1-425-485-4288 • Fax: 1-425-483-5270 • Int'l Fax: 1-425-485-9170 • GSA Schedule Available.



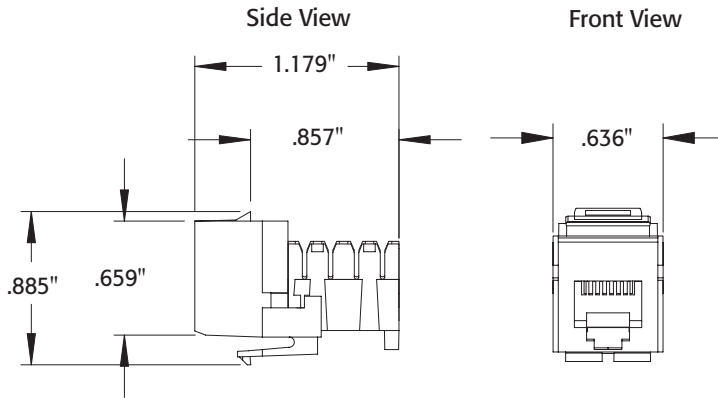
Category 3 Snap-in Connectors

Part Number
41108-Rx3

.....

DIMENSIONAL LINE ART

See ELECTRONIC FILES for CAD images
(.DXF, .DWG, MS-DOS.EPS)



PART NUMBERS

Description	Part No.
Category 3 Snap-in Connectors	41108-R*3

* = Color Choices: Ivory (I), White (W), Grey (G), Black (E), Orange (O), Blue (L), Yellow (Y), Dark Red (R), Brown (B), Almond (A), Green (V), Purple (P), Crimson Red (C)



For Technical Support Call 1-425-485-4288; in USA call 1-800-824-3005.
Spec sheets and updates are also available at www.levitonvoicedata.com.



2222 - 222nd St. SE • Bothell, WA 98021 USA • Tel: 1-800-722-2082 / 1-425-485-4288 • Fax: 1-425-483-5270 • Int'l Fax: 1-425-485-9170 • GSA Schedule Available.