



5015-W

Single Receptacle Outlet, Commercial Specification Grade, Smooth Face, 15 Amp, 125 Volt, Side Wire, NEMA 5-15R, 2-Pole, 3-Wire, Self-Grounding - White

Leviton's line of Heavy-Duty Specification Grade receptacles are designed and manufactured to withstand the most demanding environments. Available in a wide variety of configurations, including isolated ground, tamper-resistant, etc., these Commercial Grade devices are the electrical contractor's choice for use in hotels, schools, hospitals and commercial office buildings.

Technical Information

AC Horsepower Ratings

At Rated Voltage: 1/2 HP

Electrical Specifications

Grounding: Self-Grounding

Amperage: 15 A

Voltage: 125 VAC

Pole: 2

Wire: 3

Dielectric Voltage: Withstands 2000V per UL498

Current Limiting: Full Rated Current

Temperature Rise: Max 30C after 100 cycles OL at 150 percent rated current

Environmental Specifications

Flammability: Rated V-2 per UL 94

Operating Temperature: -40°C to 60°C

Material Specifications

Face Material: Nylon

Body Material: Nylon

Line Contacts: Brass Double Wipe .031 Thick

Terminal Screws: Brass 8-32

Grounding Screw: Brass 8-32

Strap Material: Zinc-Plated Steel

Color: White

Mechanical Specifications

Terminal ID: Brass-Hot, Green-Ground, Silver-Neutral

Terminal Accom.: 14-10 AWG

Product ID: Ratings are permanently marked on device

Termination: Side Wire

Product Features

NEMA: 5-15R

Color: White

Device Type: Single Receptacle Outlet

Feature 4: Smooth Face

Grade: Commercial Specification Grade

Standards and Certifications

NEMA: WD-2 WD-6

ANSI: C-73

UL498: File E13399

UL Fed Spec WC-596: File E13399

CSA C22.2 No. 42: File 152105

NOM: 057

Warranty: 10 Year Limited

Color: White

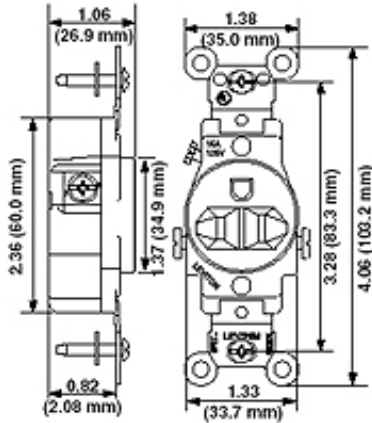
UPC Code: 07847720605

Country Of Origin: United States

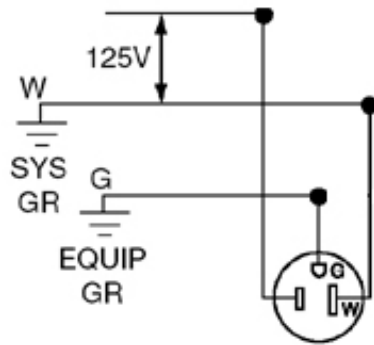
NEMA:
5-15R



Dimensional Diagram



Wiring Diagram



5-15R

SPECIFICATION SUBMITTAL

JOB NAME: <input type="text"/>	CATALOG NUMBERS: <input type="text"/>	
JOB NUMBER: <input type="text"/>	<input type="text"/>	<input type="text"/>

Leviton Manufacturing Co., Inc.

201 North Service Road, Melville, NY 11747

Telephone: +1-800-323-8920 · FAX: +1-800-832-9538 · Tech Line (8:30AM-7:30PM E.S.T. Monday-Friday):

+1-800-824-3005

Leviton Manufacturing of Canada, Ltd.

165 Hymus Boulevard, Pointe Claire, Quebec H9R 1E9 · Telephone: +1-800-469-7890 ·

FAX: +1-800-824-3005 · www.leviton.com/canada

Leviton S. de R.L. de C.V.

Lago Tana 43, Mexico DF, Mexico CP 11290 · Tel.: (+52)55-5082-1040 · FAX: (+52)5386-

1797 · www.leviton.com.mx

Visit our Website at: www.leviton.com

© 2018 Leviton Manufacturing Co., Inc. All Rights Reserved. Subject to change without notice.

Leviton has a global presence.

If you would like to know where your local Leviton office is located please go to:

www.leviton.com/international/contacts/

