

# 5461

Single Receptacle Outlet, Heavy-Duty Industrial Specification Grade, Smooth Face, 20 Amp, 250 Volt, Back or Side Wire, NEMA 6-20R, 2-Pole, 3-Wire, Self-Grounding - Brown



Color:  Brown

UPC Code: 07847749890

NEMA:  
6-20R



Leviton's line of Extra Heavy-Duty Industrial Grade receptacles are designed and manufactured to withstand the harsh conditions typically associated with industrial environments. Available in a wide variety of configurations, including isolated ground, tamper-resistant, hospital grade, etc., these Industrial Grade devices are the electrical contractor's choice for use in factories, schools, hospitals and commercial office buildings.

## Technical Information

### AC Horsepower Ratings

**At Rated Voltage:** 2 HP

### Electrical Specifications

**Amperage:** 20 A

**Current Limiting:** Full Rated Current

**Dielectric Voltage:** Withstands 2000V per UL498

**Grounding:** Self-Grounding

**Pole:** 2

**Temperature Rise:** Max 30C after 250 cycles OL at 200 percent rated current

**Voltage:** 250 VAC

**Wire:** 3

### Environmental Specifications

**Flammability:** Rated V-2 per UL 94

**Operating Temperature:** -40°C to 60°C

### Material Specifications

**Body Material:** Thermoplastic Nylon

**Clamp Nuts:** Galvanized Steel

**Face Material:** Thermoplastic Nylon

**Ground Clips:** Brass

**Grounding Screw:** Plated Steel

**Line Contacts:** Brass Triple-Wipe

**Strap Material:** Zinc-Plated Steel

**Terminal Screws:** Plated Brass

### Mechanical Specifications

**Product ID:** Ratings are permanently marked on device

**Terminal Accom.:** 14-10 AWG

**Terminal ID:** Brass-Hot, Green-Ground, Silver-Neutral

**Torque Range:** 14-16 inch pounds

**Termination:** Back or Side Wire

### Product Features

**Body Material:** Thermoplastic Nylon

**Color:** Brown

**Face Material:** Thermoplastic Nylon

**Grounding:** Self-Grounding

**NEMA:** 6-20R

**Device Type:** Single Receptacle Outlet

**Feature 4:** Smooth Face

**Grade:** Heavy-Duty Industrial Specification Grade

### Standards and Certifications

**ANSI:** C-73

**CSA C22.2 No. 42:** File 152105

**NEMA:** WD-6

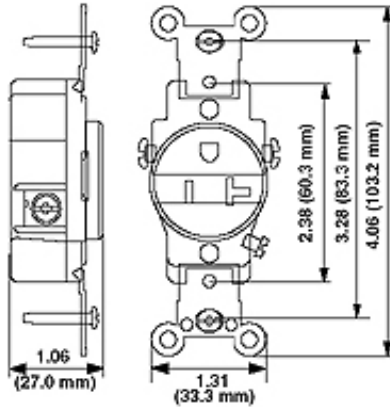
**NOM:** 057

**UL498:** File E13399

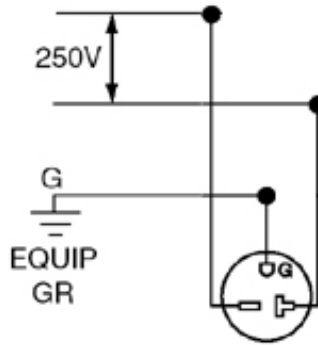
**UL Fed Spec WC-596:** File E13399

**Warranty:** 10 Year Limited

## Dimensional Diagram



## Wiring Diagram



6-20R

## SPECIFICATION SUBMITTAL

JOB NAME: <input type="text"/>	CATALOG NUMBERS: <input type="text"/>	<input type="text"/>
JOB NUMBER: <input type="text"/>	<input type="text"/>	<input type="text"/>

### Leviton Manufacturing Co., Inc.

201 North Service Road, Melville, NY 11747

Telephone: +1-800-323-8920 · FAX: +1-800-832-9538 · Tech Line (8:30AM-7:30PM E.S.T. Monday-Friday):

+1-800-824-3005

### Leviton Manufacturing of Canada, Ltd.

165 Hymus Boulevard, Pointe Claire, Quebec H9R 1E9 · Telephone: +1-800-469-7890 ·

FAX: +1-800-824-3005 · [www.leviton.com/canada](http://www.leviton.com/canada)

### Leviton S. de R.L. de C.V.

Lago Tana 43, Mexico DF, Mexico CP 11290 · Tel.: (+52)55-5082-1040 · FAX: (+52)5386-

1797 · [www.leviton.com.mx](http://www.leviton.com.mx)

Visit our Website at: [www.leviton.com](http://www.leviton.com)

© 2018 Leviton Manufacturing Co., Inc. All Rights Reserved. Subject to change without notice.

### Leviton has a global presence.

If you would like to know where your local Leviton office is located please go to:

[www.leviton.com/international/contacts/](http://www.leviton.com/international/contacts/)

