

T5325-T



UPC Code: 07847738177

Country of Origin: United States - **Eligible for ARRA funded projects*

NEMA: 5-15R



**May include one or more globally sourced components.*



Decora®

Brand Features

Leviton's Decora duplex receptacles are designed for a chic appearance, quick installation and durability. The impact-resistant thermoplastic design allows for a long service life and high performance in homes, offices, schools and other settings. It also coordinates beautifully with Leviton's complete line of Decora devices.

Item Description

15 Amp, 125 Volt, NEMA: 5-15R, Pole: 2, 3-Wire, Tamper-Resistant, Decora, Duplex Receptacle, Straight Blade, Grounding, Quickwire Push-In & Side, Standards and Certifications: UL/CSA, Warranty: 2 Year Limited, Light Almond, 2008 NEC compliant

Technical Information

Product Features

Amperage: 15 Amp

Voltage: 125 Volt

NEMA: 5-15R

Pole: 2

Wire: 3-Wire

Feature: Tamper-Resistant

Company/brand: Decora

Device Type: Duplex Receptacle

Blade Type: Straight Blade

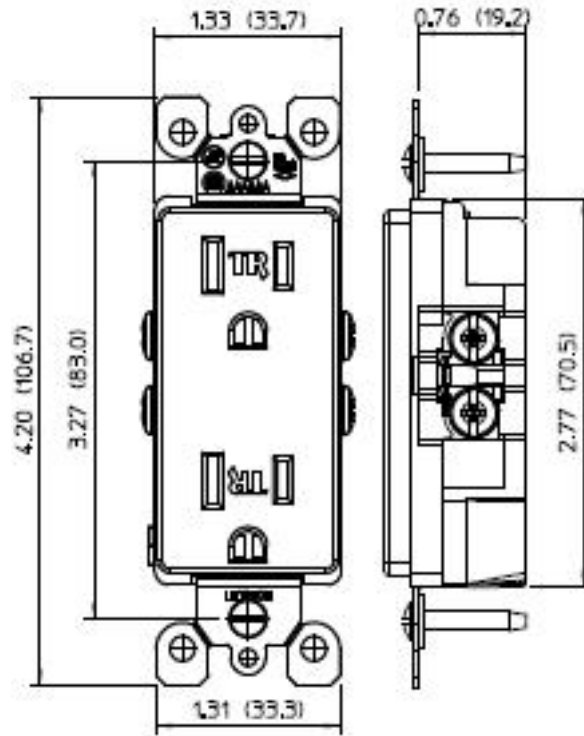
Grounding: Grounding

Termination: Quickwire Push-In & Side

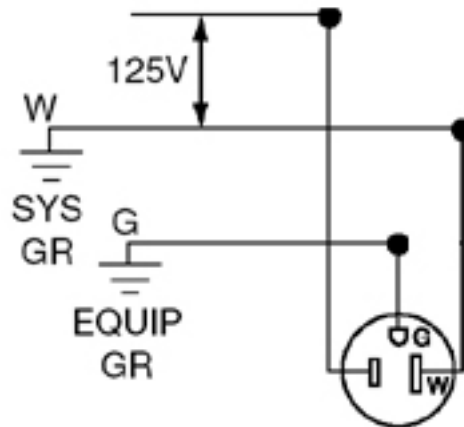
Standards and Certifications: UL/CSA

Warranty: 2 Year Limited

Color: Light Almond



Wiring Diagram



5-15R

SPECIFICATION SUBMITTAL

JOB NAME:	CATALOG NUMBERS:	
JOB NUMBER:		

Leviton Manufacturing Co., Inc.

201 North Service Road, Melville, NY 11747

Telephone: 1-800-323-8920 · FAX: 1-800-832-9538 · Tech Line (8:30AM-7:30PM E.S.T. Monday-Friday): 1-800-824-3005

Leviton Manufacturing of Canada, Ltd.

165 Hymus Boulevard, Pointe Claire, Quebec H9R 1E9 · Telephone: 1-800-469-7890 ·

FAX: 1-800-824-3005 · www.leviton.com/canada

Leviton S. de R.L. de C.V.

Lago Tana 43, Mexico DF, Mexico CP 11290 · Tel.: (+52)55-5082-1040 · FAX: (+52)5386-1797 · www.leviton.com.mx

Visit our Website at: www.leviton.com

© 2012-2013 Leviton Manufacturing Co., Inc. All rights reserved. Subject to change without notice.



Leviton has a global presence.

If you would like to know where your local Leviton office is located please go to: www.leviton.com/international/contacts/

**Buy American Compliant Logo -- The American Recovery And Reinvestment Act of 2009 ("ARRA") provides federal grants and loans for projects throughout the country. Section 1605 of the Act, named the "Buy American" provision, requires that certain materials and manufactured products used in projects funded by the Act be manufactured in the United States. The appearance of the Recovery Act Logo in relation to a Leviton product is only intended to reflect that such product may be used in an ARRA funded project. It does not mean that such product or Leviton is sponsored or endorsed by, or that Leviton receives funds from, the federal government or the Recovery Accountability and Transparency Board. Nothing in Leviton's use of the logo is intended to suggest anything regarding the requirements for funding under ARRA.*