



UPC Code: 07847745023

Country Of Origin: China

NEMA:  
5-20R



## T5820-I

20A 125V, NEMA 5-20R, 2P, 3W, Tamper-Resistant, Duplex receptacle. Straight blade, Residential grade, Self grounding, Side wired only, Steel strap - IVORY

Leviton's duplex receptacles are designed for a chic appearance, quick installation and durability. The impact-resistant thermoplastic design allows for a long service life and high performance in homes, offices, schools and other settings.

### Technical Information

#### Product Features

**Grounding:** Self-Grounding

**Feature:** Tamper-Resistant

**Amperage:** 20 A

**Voltage:** 125 VAC

**NEMA:** 5-20R

**Pole:** 2

**Wire:** 3

**Termination:** Side

**Color:** Ivory

**Face Material:** Thermoplastic Nylon

**Body Material:** Thermoplastic Nylon

**Standards and Certifications:** UL/CSA/NOM

**Product Type:** Standard

**Device Type:** Duplex Receptacle

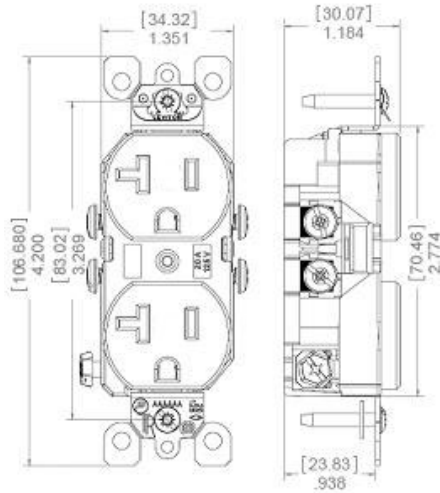
### Features and Benefits

- Mechanical shutter mechanism prevents access to contacts unless a two-pronged plug is inserted, helping ensure that foreign objects will be locked out
- TR symbol on receptacle face assures they meet the NEC Section 406.11 code requirements
- Ultrasonically welded for additional assembly security
- Base and face made of high impact thermoplastic
- Convenient break-off plaster ears for best flush alignment
- Self-grounding clip staked on, will never fall off
- Easily accessible break-off tabs when split feed wiring is required; allows easy two circuit conversion

### Patents\*

US8242362

\*This list is provided for patent marking purposes only. A good faith effort is made to maintain the accuracy and completeness of this list. No legal inference should be drawn from the omission of a patent from this list.

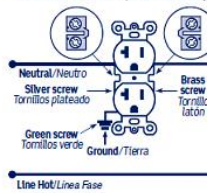


**TO INSTALL:**  
**WARNING: IF YOU ARE NOT SURE ABOUT ANY PART OF THESE INSTRUCTIONS, CONSULT A QUALIFIED ELECTRICIAN.**

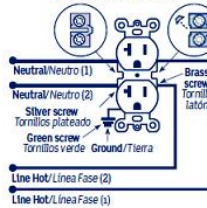
**FOR SEPARATE FEED CONVERSION ONLY:** Our outlet is provided with a break-off fin located between the two brass terminal screws. If you want to have the top outlet and the bottom outlet controlled by two different hot wires (two circuits), remove the break-off fin before wiring. With needlenose pliers, bend fin back and forth until it breaks off.

- WARNING: TO AVOID FIRE, SHOCK, OR DEATH; TURN OFF POWER AT CIRCUIT BREAKER OR FUSE AND TEST THAT THE POWER IS OFF BEFORE WIRING!**
- Remove insulation per strip gauge on device (about 5/8" (1.6 cm)).
- Connect wires per WIRING DIAGRAM as follows: Loop wires clockwise 3/4 turn around terminal screws. BLACK (hot) wire to BRASS screw. WHITE (neutral) wire to SILVER screw, GREEN or BARE (ground) wire to GREEN screw. Firmly tighten screws over wire loops. Terminal screws accept up to #12 AWG copper or copper clad wire.
- Mount device using long mounting screws. Attach wallplate (not included).
- Restore power at circuit breaker or fuse. Installation is complete.

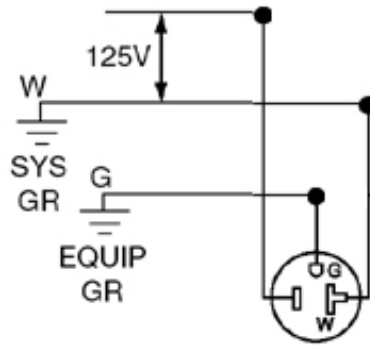
**Common feed (Fins intact)**  
 Alimentación Común (aletas intactas)



**Separate feed (Remove HOT fin only)**  
 Alimentación Separada (Sólo quite la aleta FASE)



### Wiring Diagram



5-20R

### SPECIFICATION SUBMITTAL

JOB NAME:	CATALOG NUMBERS:	
<input type="text"/>	<input type="text"/>	<input type="text"/>
JOB NUMBER:	<input type="text"/>	<input type="text"/>

**Leviton Manufacturing Co., Inc.**

201 North Service Road, Melville, NY 11747

Telephone: +1-800-323-8920 · FAX: +1-800-832-9538 · Tech Line (8:30AM-7:30PM E.S.T. Monday-Friday):  
+1-800-824-3005

**Leviton Manufacturing of Canada, Ltd.**

165 Hymus Boulevard, Pointe Claire, Quebec H9R 1E9 · Telephone: +1-800-469-7890 ·  
FAX: +1-800-824-3005 · [www.leviton.com/canada](http://www.leviton.com/canada)

**Leviton S. de R.L. de C.V.**

Lago Tana 43, Mexico DF, Mexico CP 11290 · Tel.: (+52)55-5082-1040 · FAX: (+52)5386-  
1797 · [www.leviton.com.mx](http://www.leviton.com.mx)

**Visit our Website at: [www.leviton.com](http://www.leviton.com)**

© 2018 Leviton Manufacturing Co., Inc. All Rights Reserved. Subject to change without notice.

**Leviton has a global presence.**

If you would like to know where your local Leviton office is located please go to:  
[www.leviton.com/international/contacts/](http://www.leviton.com/international/contacts/)

