

## Type 4 Surge Protective Devices (SPDs)

51000 Series UL Recognized Components

UL 1449  
3rd Edition  
Recognized  
Components



Leviton's 51000 Series Surge Protective Devices provide surge protection for industrial applications such as factory automation servo motors, drives and PLC's. Available in models with maximum load currents of 5 to 16 amps and in both wall-mounted and DIN rail mounted configurations.

### Features and Benefits

- Protection for up to 52,000 amps of surge current per mode
- Tested to ANSI/IEEE C62.41 and C62.45 standards for category A & B applications
- Type 4 Surge Protected Devices (SPD) evaluated for use in Type 3 SPD applications
- C Sinewave Tracking provides enhanced EMI/RFI filtering
- Visual and Audible Alarms if surge protection is lost
- Dry contacts for remote monitoring
- Manufactured to ISO 9001 standards
- 10-year Limited Product Warranty
- UL 1449 3<sup>rd</sup> Edition Recognized Components
- UL 1283 Electromagnetic Interference Filters



## Specifications

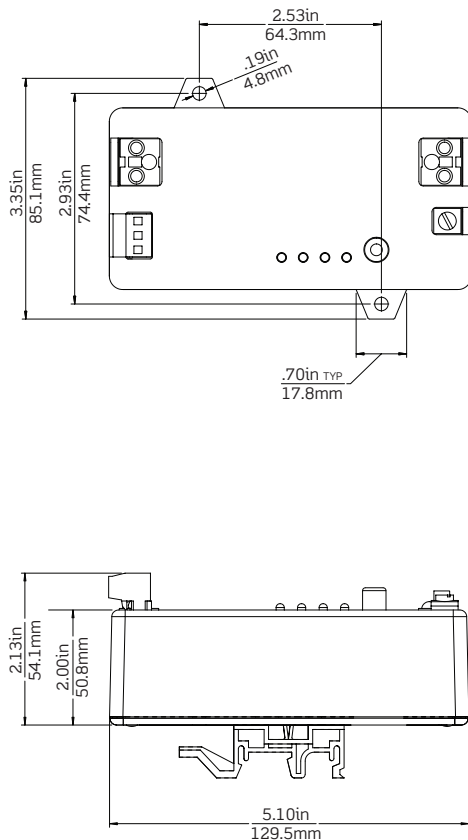
Catalog Number	51005-DIN 51005-WM	51010-DIN 51010-WM	51015-WM	51020-DIN 51020-WM	51240-DIN 51240-WM
<b>Electrical</b>					
Amperage	5 Amp	10 Amp	15 Amp	16 Amp	16 Amp
Voltage	120VAC	120VAC	120VAC	120VAC	240VAC
Frequency	50/60 Hz				
Surge Technology	MOV				
<b>Performance Data</b>					
Maximum Continuous Operating Voltage	150V	150V	150V	150V	270V
Joules	672J	672J	1360J	1360J	2600J
Maximum Surge Current, per mode	52kA	52kA	96kA	96kA	80kA
Protection Modes	3	3	3	3	3
Voltage Protection Rating (VPR)	L-L	-	-	-	700V
	L-N	500V	500V	400V	-
	L-G	600V	600V	500V	800V
	N-G	500V	500V	500V	-
Short Circuit Current Rating	5kA	5kA	5kA	5kA	5kA
Noise Filtering	-20dB to -40dB (@50K-100MHz)	-20dB to -40dB (@50K-100MHz)	-20dB to -40dB (@50K-100MHz)	-20dB to -40dB (@50K-100MHz)	-20dB to -40dB (@50K-100MHz)
<b>Material</b>					
Enclosure	51015, 51020 & 51240 Extruded Aluminum 51005 and 51010 Polycarbonate housing				
Connection Type	Hard wired 51005 and 51010 accommodate 12 to 20 AWG wire 51015, 51020 and 51240 accommodate 8 to 12 AWG wire				
Diagnostics	Indicator lights and sound alarm for loss of protection				
Remote Monitoring	Rated 0.46 A, 150VAC or 1A, 30Vdc Dry contact				
<b>Environmental</b>					
Operating Temperature	14°F to 140°F/ -10°C to 60°C				
Storage Temperature	-20°C to 85°C				
Flammability	Polycarbonate enclosures (51005 and 51010) - V-2 rated				
Relative Humidity	5% to 95% (non-condensing)				
<b>Standards and Certifications</b>					
UL 1449 3 <sup>rd</sup> Ed.	UL Recognized Components (cURus)				
ANSI/IEEE Category A & B	C-62.41 & C-62.45				
Warranty	10-Year Limited				

## Ordering Information

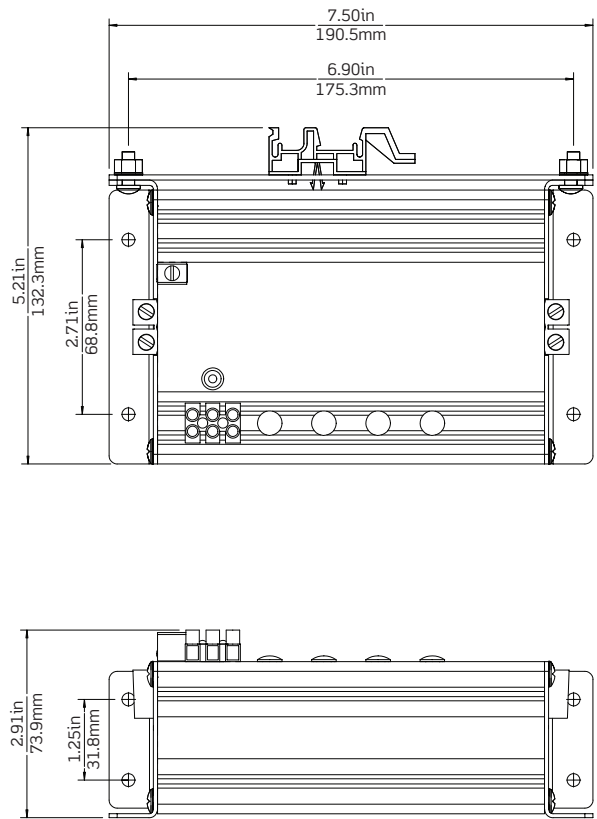
Type 4 Surge Protective Devices, 3-Mode Protection						
Catalog #	Description	Amperage	Voltage Rating	Joules	MCOV	Enclosure
51005-DIN	Single-phase, 2-Wire + Ground, DIN-rail mounted	5 Amp	120VAC	672J	150V	Polycarbonate
51005-WM	Single-phase, 2-Wire + Ground	5 Amp	120VAC	672J	150V	Polycarbonate
51010-DIN	Single-phase, 2-Wire + Ground, DIN-rail mounted	10 Amp	120VAC	672J	150V	Polycarbonate
51010-WM	Single-phase, 2-Wire + Ground	10 Amp	120VAC	672J	150V	Polycarbonate
51015-WM	Single-phase, 2-Wire + Ground	15 Amp	120VAC	1360J	150V	Extruded Aluminum
51020-DIN	Single-phase, 2-Wire + Ground, DIN-rail mounted	16 Amp	120VAC	1360J	150V	Extruded Aluminum
51020-WM	Single-phase, 2-Wire + Ground	16 Amp	120VAC	1360J	150V	Extruded Aluminum
51240-DIN	Single-phase, 2-Wire + Ground, DIN-rail mounted	16 Amp	240VAC	2600J	270V	Extruded Aluminum
51240-WM	Single-phase, 2-Wire + Ground	16 Amp	240VAC	2600J	270V	Extruded Aluminum

## Dimensional Drawings

Catalog Number 51005 and 51010



Catalog Number 51015, 51020 and 51240



**Leviton Manufacturing Co., Inc.**

201 N Service Rd, Melville, NY 11747  
Telephone: 1-800-323-8920 • Fax: 1-800-832-9538  
Tech Line (8:30AM-7:00PM E.S.T. Monday-Friday): 1-800-824-3005

**Leviton Manufacturing of Canada, Ltd.**

165 Hymus Blvd, Pointe-Claire, QC H9R 1E9  
Telephone: 1-800-469-7890 • Fax: 1-800-563-1853

**Leviton Middle East, Ltd.**

J/Ali Free Zone, View 19 7th Floor, Office 701 • PO Box 262742 Dubai, UAE  
Telephone: +971 4 886 4722 • Fax: +971 4 886 4723

**Leviton S. de R.L. de C.V.**

Lago Tana 43, Col. Huichapan, Miguel Hidalgo, CP 11290 México DF  
Telephone: (+52) 55-5082-1040 • Fax: (+52) 55-5386-1797 • [www.leviton.com.mx](http://www.leviton.com.mx)

**Visit our Website at: [www.leviton.com/industrial](http://www.leviton.com/industrial) email: [industrial@leviton.com](mailto:industrial@leviton.com)**

© 2011 Leviton Manufacturing Co., Inc. All rights reserved.

