



2400BD Divided Steel Raceway Fittings

INSTALLATION INSTRUCTIONS

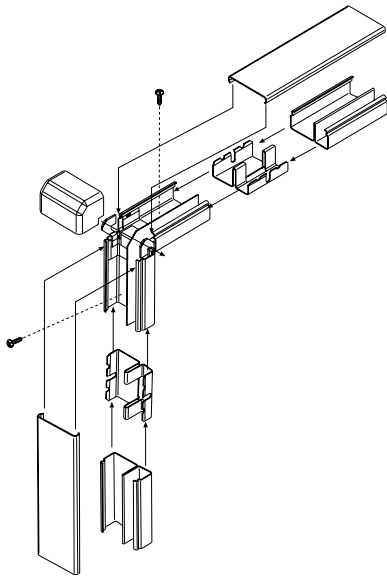
Wiremold Electrical Systems conform to and should be installed and properly grounded in compliance with requirements of the current National Electrical Code, Canadian Electrical Code or codes administered by local authorities. All electrical products may represent possible shock or fire hazard if improperly installed or used. Wiremold electrical products are UL listed. Made for interior use only and should be installed in conformance with current local and/or the National Electrical Code.

Use #8 (5/16", [7.9mm] head size) flat head fastener or equivalent to mount base to surface.

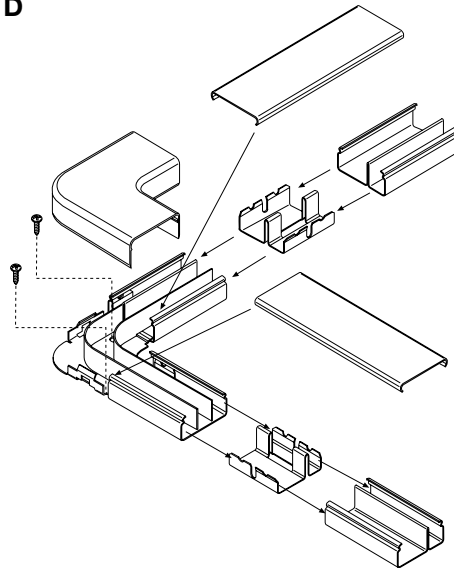
Utiliser une à tête plate de calibre 8 (tête de 7.9mm, 5/16" po.) ou une fixation équivalente pour assujettir le tube guide-fils et les raccords a la surface de montage.

Use un sujetador de cabeza plana No.8 (tamaño de cabeza: 7.9mm, 5/16" de pulgada) o su equivalente para unir la canalita y los accesorios a la superficie de montaje.

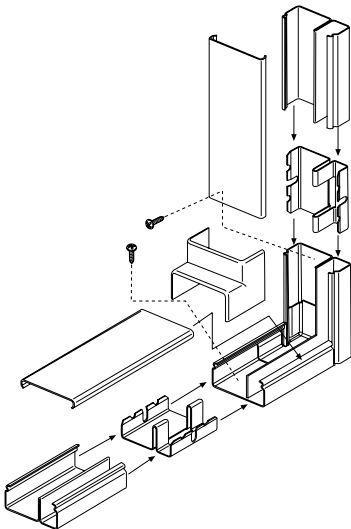
V2418D



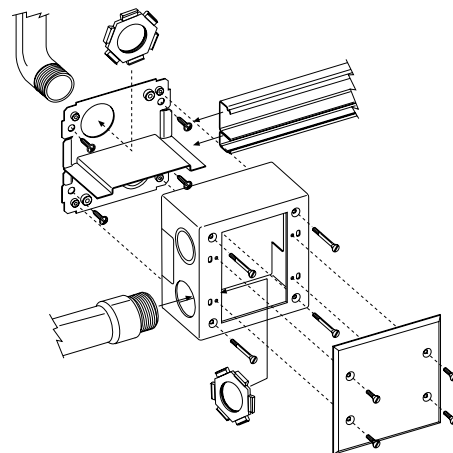
V2411D



V2417D



V2435D



The Wiremold Company
60 Woodlawn Street
West Hartford, CT 06110
Tel (860) 233-6251 Fax 860-232-2062