

QuickPort® Snap-In Bulkhead Connectors

APPLICATION

Stereo/video connectivity for workstation cabling for termination on UTP cable, speaker wire or shielded audio/video cable. QuickPort® Bulkhead Connectors snap into any housing with the QuickPort name—flush and surface mount outlets, Multimedia Outlet System (with adapter), Decora® Inserts, patch panels, and patch blocks.

FEATURES

- Compatible with all QuickPort wallplates and housings.

STANDARDS COMPLIANCE

Meets all applicable standards: PN# 40734 is cULus Listed; PN#s 40830, 40833, 40837 are CSA certified.

PHYSICAL SPECIFICATIONS

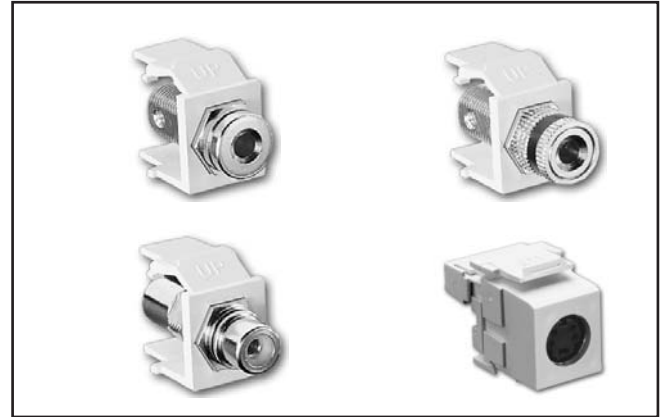
Dimensions: Binding Post Connector: .636"H x .575"W x 1.19"D
Banana Jack: .636"H x .575"W x 1.03"D
RCA Jack: .636"H x .575"W x 1.21"D
S-Video Connector: .636"H x .575"W x 1.092"D

Materials: Snap-in connector bodies are high-impact, fire retardant plastic rated UL 94V-0.

DESIGN CONSIDERATIONS

- QuickPort Bulkhead Connectors snap into any housing with the QuickPort name: flush and surface mount outlets, Multimedia Outlet System (with adapter), patch panel, and patch blocks.
- Check clearance behind proposed location of bulkhead module to ensure space for proper bend-radius of cabling media.
- Bulkhead connectors are available in ivory, white and almond to match housings or wallplates. S-Video is also available in grey or black.

See ELECTRONIC FILES for CAD files (.DXF, .DWG, MS-DOS.EPS) on disk



WARRANTY INFORMATION

For a copy of Leviton product warranties, log on to www.levitonvoicedata.com/warranty.

For ELECTRONIC Typical Specs see (.TXT) file on disk.

TYPICAL SPECIFICATION

The connectors for stereo/video connectivity shall be individual snap-in style female-to-female bulkhead adapters, and shall fit all other installed telecommunications wallplates, outlets and field-configurable patch panels and patch blocks. S-Video shall be 110-to-female. Bulkhead connectors shall be available in ivory, white and almond to match the housings or wallplates. Connectors shall be UL listed. All plastics used in construction of the module bodies shall be fire-retardant with a UL flammability rating of 94V-0.

QuickPort® Snap-In Bulkhead Connectors



For Technical Support Call 1-425-485-4288; in USA call 1-800-824-3005.
Spec sheets and updates are also available at www.levitonvoicedata.com.

2222 - 222nd St. SE • Bothell, WA 98021 USA
Tel: 1-800-722-2082 / 1-425-485-4288 • Fax: 1-425-483-5270 • Int'l Fax: 1-425-485-9170 • GSA Schedule Available.



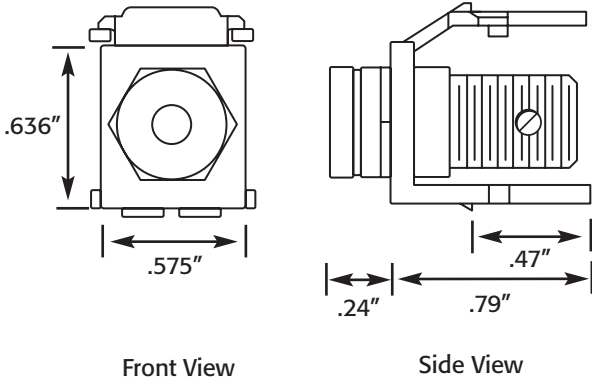
QuickPort® Snap-In Bulkhead Connectors

Part Numbers
40734-SVx 40830-Bxx
40837-Bxx 40833-Bxx

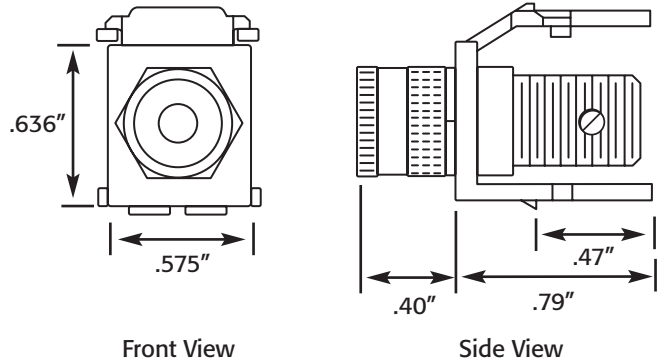
DIMENSIONAL LINE ART

See ELECTRONIC FILES for CAD images
 (.DXF, .DWG, MS-DOS.EPS)

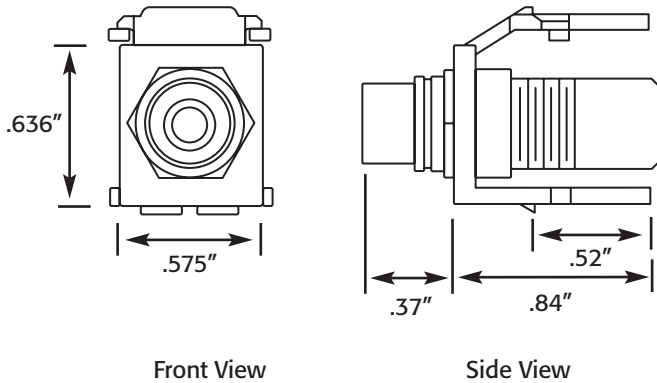
Banana Jack



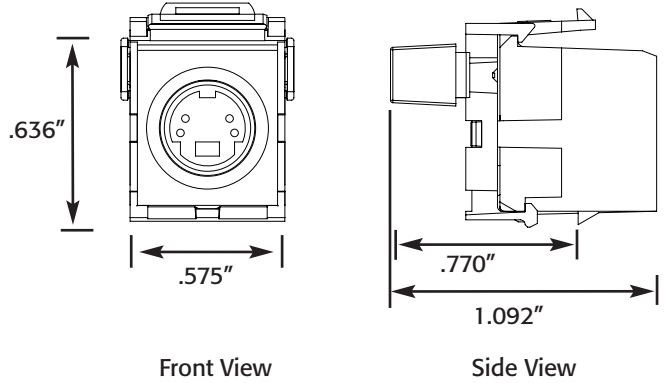
Binding Post Connector



RCA Jack



S-Video Connector



PART NUMBERS

Description	Part No.
Binding Post Connector	
with black stripe	40833-B*E
with red stripe	40833-B*R
Banana Jack	
with black stripe	40837-B*E
with red stripe	40837-B*R
RCA Jack	
with black stripe	40830-B*E
with red stripe	40830-B*R
with yellow stripe	40830-B*Y
S-Video Module	
various colors	40734-SV†

*=Color Choices: Ivory (Y), White (W), Almond (A)
 †=Color Choices: Ivory (Y), White (W), Almond (A), Black (E), Grey (G)

For Technical Support Call 1-425-485-4288; in USA call 1-800-824-3005.
 Spec sheets and updates are also available at www.levitonvoicedata.com.



2222 - 222nd St. SE • Bothell, WA 98021 USA • Tel: 1-800-722-2082 / 1-425-485-4288 • Fax: 1-425-483-5270 • Int'l Fax: 1-425-485-9170 • GSA Schedule Available.

