

Straight Blade Devices

15A, 125V, 2 Pole, 3 Wire Grounding

HBL® Extra Heavy Duty Specification Grade Single Receptacle

HUBBELL

Features

- Triangle marking on face indicates isolated ground
- Patented bypass contact design



15A 125V
NEMA 5-15R
UL CSA
0.5 HP



Ordering Information

Description	Device Color	UPC	Catalog Number
Single, Isolated	Orange	783585756493	IG5261

Listings

UL Listed to UL498 File No. E2186
Certified to CSA 22.2, No. 42 File 285
Fed. Spec. W-C-596
NEMA® WD-6 Compliant

Specifications

Face	Nylon
Base	PBT
Power Contacts	.037 in. (.9) Brass
Ground Contacts	Brass
Clamp	Nickel plated brass
Terminal Screws	Plated brass
Mounting Strap	.050 in. (1.3) Brass
Automatic Self-grounding Clip	Stainless steel
Mounting Screws	Stainless steel

Performance

Electrical

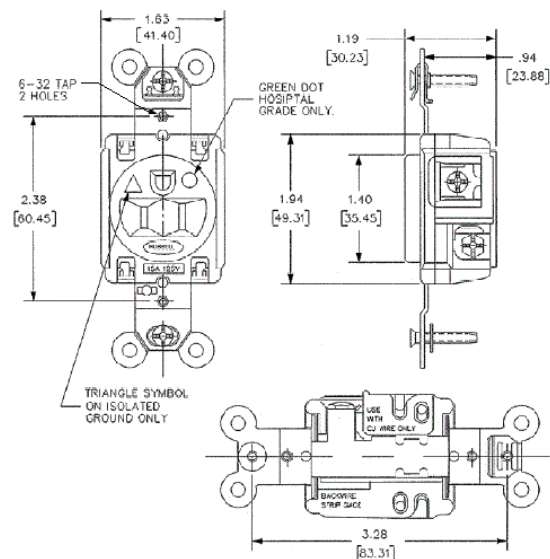
Current Interrupting	Certified for current interrupting at full rated current
Dielectric Voltage	Withstands 2,000V minimum

Mechanical

Product Identification	Ratings are a permanent part of the device
Terminal Accommodation	#14-#10 AWG copper stranded or solid conductor only
Terminal Identification	Terminals identified in accordance with UL 498 and CSA

Environmental

Flammability	Top: UL 94V-2, Base: UL 94V-0
Operating Temperatures	Maximum continuous 75°C; minimum -40°C (w/o impact)



Online Resources

Customer Use Drawing
eCatalog
Installation Instructions

Accessories

Wallplate or Weatherproof Cover

1.40" Opening

Dimensions in Inches (mm)

Hubbell Wiring Device-Kellems • Hubbell Incorporated (Delaware) • 40 Waterview Drive • Shelton, CT 06484

Phone (800) 288-6000 • Fax (800) 255-1031 • Specifications subject to change without notice.

