

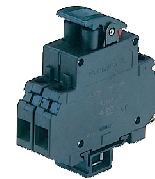
**Circuit Protection**  
**Circuit Breakers**  
 Thermal Magnetic Type

CB4201-10



Single Pole

CB4202-10



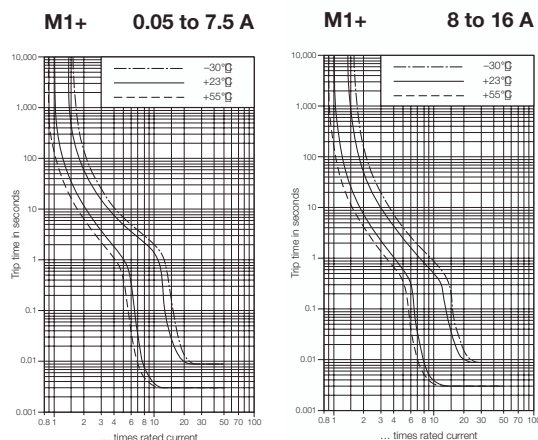
Double Pole

Ordering Data		Type: Single Pole - CB4201-10		Type: Double Pole - CB4202-10		
Internal Resistance per Pole (ohms)	Current Ratings (amps)	Part No.* TS 32	Part No.* TS 35	Current Ratings (amps)	Part No.* TS 32	Part No.* TS 35
131.00	0.1	9104173200	9104173500	0.1	9120353200	9120353500
40.00	0.2	9104183200	9104183500	0.2	9124243200	9124243500
19.30	0.3	9129813200	9129813500	0.3	9124263200	9124263500
10.40	0.4	9124093200	9124093500	0.4	9124273200	9124273500
7.10	0.5	9101003200	9101003500	0.5	9129583200	9129583500
4.30	0.6	9124113200	9124113500	0.6	9124283200	9124283500
3.58	0.7	9129563200	9129563500	0.7	9124293200	9124293500
2.50	0.8	9101103200	9101103500	0.8	9129593200	9129593500
1.67	1.0	9101203200	9101203500	1.0	9129613200	9129613500
1.22	1.2	9101303200	9101303500	1.2	9129623200	9129623500
0.61	1.5	9101403200	9101403500	1.5	9129633200	9129633500
0.55	1.8	9124143200	9124143500	1.8	9124333200	9124333500
0.38	2.0	9101503200	9101503500	2.0	9129643200	9129643500
0.24	2.5	9101603200	9101603500	2.5	9129653200	9129653500
0.19	3.0	9101703200	9101703500	3.0	9129663200	9129663500
0.16	3.5	9124163200	9124163500	3.5	9124343200	9124343500
0.09	4.0	9104353200	9104353500	4.0	9129713200	9129713500
0.09	4.5		9124173500	4.5		
0.061	5.0	9101803200	9101803500	5.0	9129673200	9129673500
0.07	5.5		9107833500	5.5	9124363200	
0.041	6.0	9103813200	9103813500	6.0	9124373200	9124373500
0.04	6.5		9120043500	6.5	9124383200	
0.034	7.0	9104153200	9104153500	7.0	9124393200	9124393500
0.02	8.0	9103003200	9103003500	8.0	9104673200	9104673500
0.02	9.0	9104613200	9104613500	9.0	9124423200	9124423500
<0.02	10.0	9101903200	9101903500	10.0	9129683200	9129683500
<0.02	11.0		9124183500	11.0	9124433200	
<0.02	12.0	9107843200	9107843500	12.0	9124443200	9124443500
<0.02	13.0		9124193500	13.0	9124453200	
<0.02	14.0	9107853200	9107853500	14.0	9124463200	9124463500
<0.02	15.0	9102003200	9102003500	15.0	9129693200	9129693500
<0.02	16.0	9124213200	9124213500	16.0	9124473200	9124473500

**Circuit Breaker – Trip Curves**  
 Thermal Magnetic Type

Typical time/current characteristics at 23°C

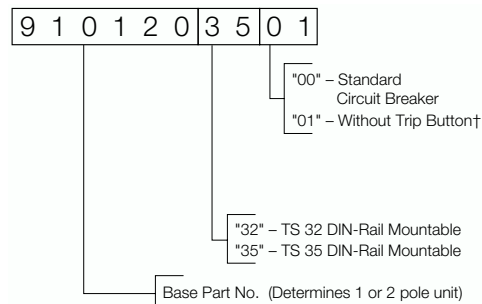
4200 Series



\* Ordering Options - Example

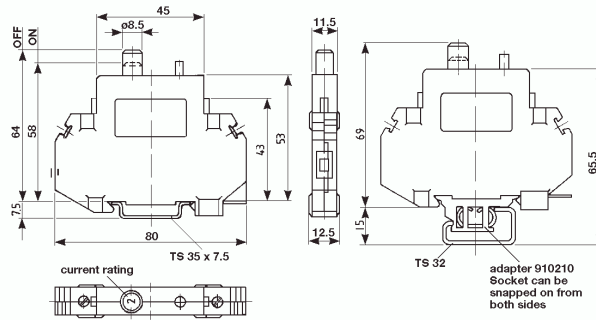
To order CB4201-10 Single Pole Circuit Breaker,  
 Part No. 9101203501

- Current Rating of 1.0 amps
- Internal Resistance per Pole of 1.67 ohms
- For TS 35
- Without Trip Button



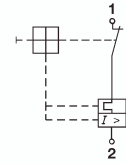
†To manually trip breaker, a plastic or wooden dowel (0.12 inch diameter) will be needed.

### CB4201-10 Single Pole

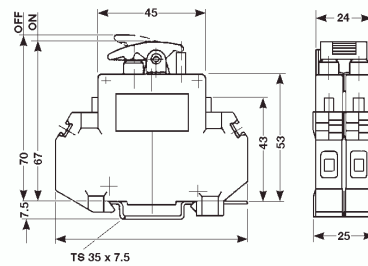


Dimensions in mm

#### Internal Wiring Diagram

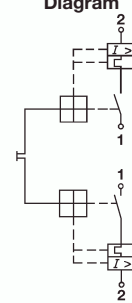


### CB4202-10 Double Pole



Dimensions in mm

#### Internal Wiring Diagram



#### Technical Data

Rated voltage & current†	Voltage Ratings		Current Ratings
UL	AC 250 V, DC 80 V, 50/60 Hz		0.05...16 A
CSA	AC 250 V, DC 80 V, 50/60 Hz		0.05...16 A
VDE	AC 250 V, DC 65 V, 50/60 Hz		0.05...16 A
Creepage resistance	PTI 600 to IEC 112		
Dielectric strength	4,000 VAC; IEC 664 & 664 A		
Insulation resistance	> 100 MΩ (DC 500 V)		
Interrupting capacity (VDE 0660, Part 101, P-2)	4201-10	maximum capacity	
	0.05...0.8 A	self-limiting	
	1...2 A	200 A	
	2.5...16 A	400 A	
Interrupting capacity; 4201-10 (UL 1077/EN 60934 PC1)	Rated current	Rated voltage	maximum capacity
	0.05...4.5 A	AC 250 V	200 A
	5...8 A	AC 250 V	1000 A
	9...15 A	AC 125 V	1000 A
	0.05...15 A	DC 65 V	200 A
Typical life at 2 x rated current	5,000 operations		
Shock	25 g (11 ms) to IEC 68-2-27, Test Ea		
Torque	Nm (lb. in.)	0.8 (7.1)	
Vibration	5 g (57 to 500 Hz / ±0.38 mm, 10 to 57 Hz) to IEC 68-2-6, Test Fc		
Temperature range	-30°C...+55°C (-22°F...+131°F)		
Corrosion	96 hours at 5% salt spray, to IEC 68-2-11, Test Ka		
Humidity	240 hours at 95% RH, to IEC 68-2-3, Test Ca		
Weight	Approximately 60 g per pole		
Wire size (UL)	#20...8 AWG	solid	
	#20...10 AWG	standard	

#### Accessories

	Type	Part No.
Jumpers		
Daisy Chain 50*	BDC 50	9970290000
Straight CQB**	CQB 2	9970560000
	CQB 3	9970570000
	CQB 4	9970580000
	CQB 10	9970590000
Angled CQB**	CQB 2	9970600000
	CQB 3	9970610000
	CQB 4	9970620000
	CQB 10	9970630000
Adaptor foot	AF/TS 32	9102100000

#### Marking Tags

1   2   3   4   5   6	Special print only	WS 8/5 MC 1640750000***
	Consecutive horizontal	DEK 5/5 0473460001
	Consecutive vertical	DEK 5/5 0473560001

Note: Part numbers are shown for a single card of pre-printed tags numbered 1-50.

†Note: Resistive and inductive loads (0.05 - 16 A)

\*BDC will accommodate 20 A per pin, 20 A total

\*\*CQB will accommodate 18 A per pin, 18 A total; dedicated to 4201 Series

\*\*\*Please specify horizontal or vertical print when ordering. Standard quantity = 144 tags per card.

# Mouser Electronics

Authorized Distributor

Click to View Pricing, Inventory, Delivery & Lifecycle Information:

[Weidmuller:](#)

[9101403500](#) [9101603500](#) [9101903500](#) [9103813500](#) [9124213500](#) [9101203500](#) [9101503500](#) [9101703500](#)  
[9101803500](#) [9102003500](#)