



LED MR16

7MR16/LED/827/F35/DIM 12V 10/1FB

Philips LED MR-16 lamps with single optic technology provide the look and color quality of traditional halogens while using a fraction of the energy. A perfect fit for spot lighting, they are compatible with most existing fixtures with MR16 GU5.3 holders and are designed as a retrofit replacement for halogen or incandescent spots.

Product data

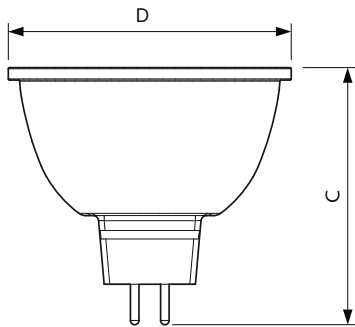
General Information		Wattage Equivalent	
Base	GU5.3 [GU5.3]	Wattage Equivalent	50 W
EU RoHS compliant	Yes	Starting Time (Nom)	0.5 s
Nominal Lifetime (Nom)	25000 h	Warm Up Time to 60% Light (Nom)	0.5 s
Switching Cycle	50000X	Power Factor (Nom)	0.7
Voltage (Nom)		ac electronic 12 V	
Light Technical		Temperature	
Color Code	827 [CCT of 2700K]	T-Case Maximum (Nom)	90 °C
Beam Angle (Nom)	35 °	Controls and Dimming	
Initial lumen (Nom)	515 lm	Dimmable	Only with specific dimmers
Luminous Intensity (Nom)	1350 cd	Mechanical and Housing	
Color Designation	Warm White (WW)	Bulb Shape	MR16 [2inch/50mm]
Correlated Color Temperature (Nom)	2700 K	Approval and Application	
Luminous Efficacy (rated) (Nom)	73.00 lm/W	Suitable For Accent Lighting	Yes
Color Consistency	<4	Product Data	
Color Rendering Index (Nom)	80	Order product name	7MR16/LED/827/F35/DIM 12V 10/1FB
LLMF At End Of Nominal Lifetime (Nom)	70 %	EAN/UPC - Product	046677573881
Operating and Electrical		Order code	573881
Input Frequency	- Hz		
Power (Rated) (Nom)	7 W		
Lamp Current (Nom)	650 mA		

LED MR16

Numerator - Quantity Per Pack	1
Numerator - Packs per outer box	10
Material Nr. (12NC)	929003076404

Net Weight (Piece)	0.060 kg
--------------------	----------

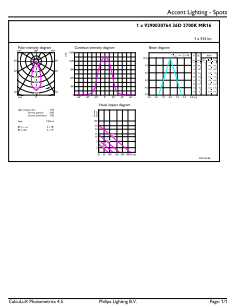
Dimensional drawing



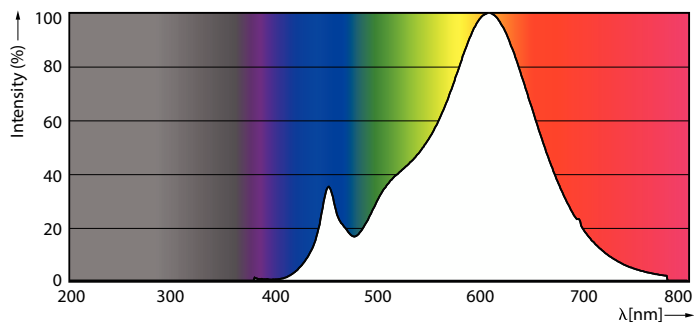
MR16 12V 7.3-50W 515lm 35D 2700K GU5.3 D

Product	D	C
7MR16/LED/827/F35/DIM 12V 10/1FB	50 mm	46.5 mm

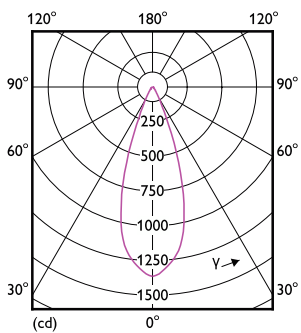
Photometric data



LEDspots DIM IC 7W MR16 GU5,3 827 35D-ADL



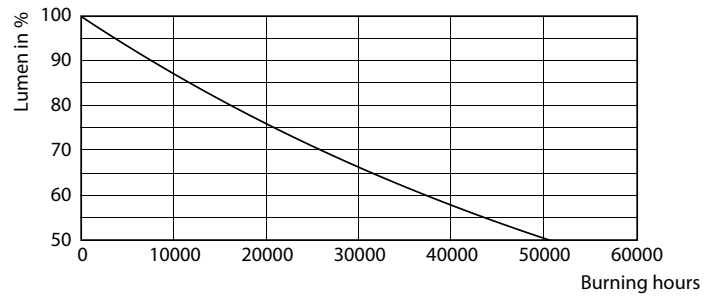
LEDspots DIM IC 7W MR16 GU5,3 827 25D-POC



LEDspots DIM IC 7W MR16 GU5,3 827 35D-LDD

LED MR16

Lifetime



LEDspots LED 25K

LEDspots LMP 25K

