



RG-NX Series

NEMA-4X Rated



FEATURES

- Fully gasketed cast aluminum back plate with clear polycarbonate cover – NEMA-4X Certified
 - Comes standard with non-audible advanced diagnostic, 15 minute time delay and lamp disconnect
 - Audible warning and time delay functions can be enabled or disabled during installation
 - Micro-controller diagnostic system tests, detects and indicates battery, charger circuitry or LED lamp failures
 - Non intrusive magnetic test switch
 - Long-life, maintenance-free sealed Lead-Acid battery
 - 1/2" rigid conduit entry on top and back
 - Can be installed on 4" junction boxes
 - Comes standard with tamper-proof screws and bit
 - Standard 120/347VAC input voltage
 - Cold weather option -40°C (-40°F)
 - NSF Certified for food processing plants
 - Auto-testing capabilities (specific load requirements)
 - Meets or exceeds CSA C22.2 No. 141-15
- See warranty details at: www.tnb.ca/en/brands/lumacell**

TYPICAL SPECIFICATIONS

Supply and install the **Lumacell® NEMA-4X Certified RG-NX Series** battery unit. Specifically designed for high abuse areas, wet locations, and cold weather (CW option -40°C (-40°F)), the housing shall consist of a fully gasketed die-cast with a cast aluminum back plate and a clear heavy-duty UV resistant polycarbonate cover. The heads shall be fully adjustable without tools and the lamps shall be high efficiency MR16 LEDs. The standard unit shall be equipped with tamper-proof screws and bits. The **Lumacell® Advanced Diagnostic Micro-controller** charger board shall supply the rated load for a minimum of 30 minutes to 87.5% of the rated battery voltage. The charger incorporates lockout and brownout circuits, and low voltage disconnection. It protects the unit from over-current, short-circuit, and reverse polarity. The unit shall be rated 120/347V, 60Hz. The unit shall have an output of _____ V. This unit shall self-test for 1 minute every 30 days, 10 minutes on the 6th month and 30 minutes every 12 months. The unit shall be furnished with a non-intrusive magnetic test switch. A "Service Required" lamp shall be located near the test switch and flash when a fault is detected. A four-LED diagnostic display shall be located inside the equipment and shall identify the source of failure (battery, charger, circuitry, or lamps).

The unit shall be CSA 22.2 No. 141-15 certified.

The unit shall be **Lumacell®** model: _____.

WIRE GUARDS

460.0031-L	Wall Mount
------------	------------


ACCESSORIES

Additional bit for tamperproof screws	TPB
Universal bracket (for mounting on poles, I-beams)	PMK


REPLACEMENT LAMPS

ORDERING CODE	TYPE OF SPECIFICATIONS
580.0097-L	MR16 LED, 6V-4W
580.0122-L	MR16 LED, 6V-5W
580.0093-L	MR16 LED, 12V-4W
580.0104-L	MR16 LED, 12V-5W
580.0106-L	MR16 LED, 12V-6W


IN THE SAME FAMILY: NEMA-4X



- LER3000 Series



- 3LER3000 Series

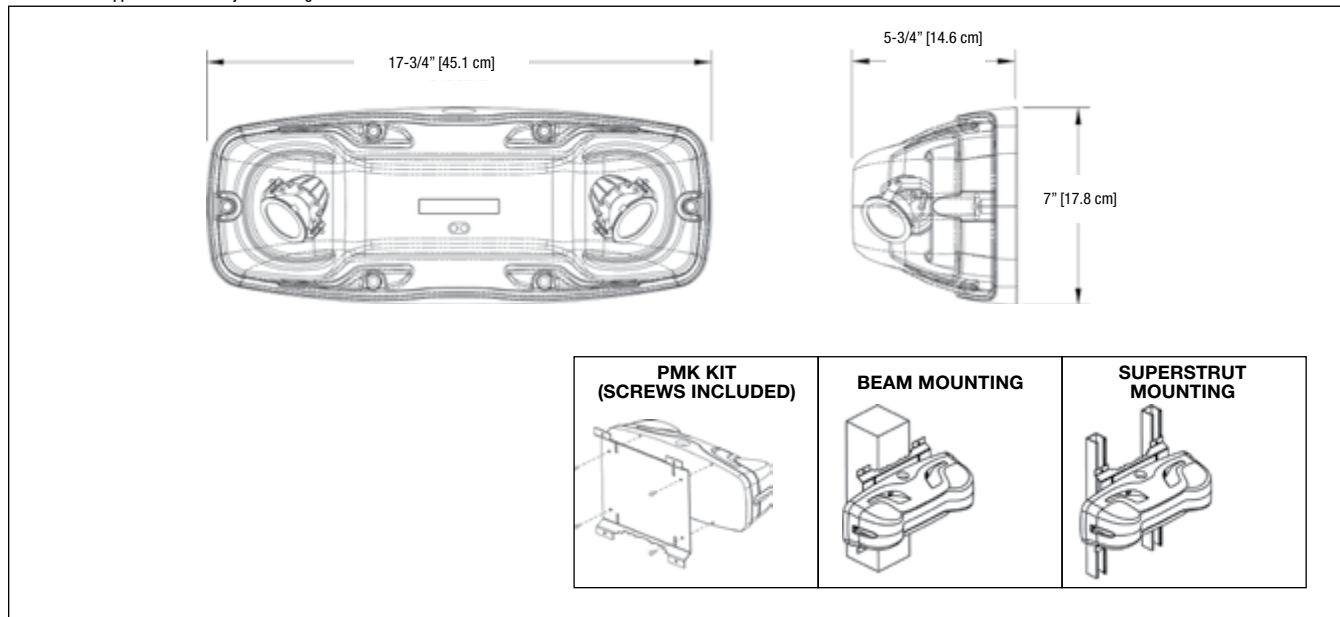


- MQM-NX NEMA 4X Remote Fixtures



DIMENSIONS

Dimensions are approximate and subject to change.



POWER CONSUMPTION AND UNIT RATING

MODEL	AC SPECS	WATTAGE CAPACITY					
		30MIN	1H00	1H30	2H00	4H00	
RGNX36	120/347VAC	0.15/0.06A	36	21	15	12	6
RG12NX72		0.25/0.10A	72	42	30	24	12
RG12NX108		0.25/0.10A	108	63	45	36	18
Cold Weather 36W		0.45/0.20A	36	-	-	-	-
Cold Weather 72/108W	120VAC	0.85A	72/108	-	-	-	-

*Note: capacity depends on the ambient temperature

ORDERING INFORMATION

SERIES	CAPACITY	NUMBER OF HEADS	LAMP TYPES AND WATTAGE	COLOUR	AC VOLTAGE	OPTIONS
RGNX = 6V, NEMA-4X RG12NX = 12V, NEMA-4X	36 = 6V-36W 72 = 12V-72W 108 = 12V-108W	2= 2 heads	LD1 = MR16 LED, 6V-4W LD2 = MR16 LED, 6V-5W LD7 = MR16 LED, 12V-4W LD9 = MR16 LED, 12V-5W LD10 = MR16 LED, 12V-6W	BK = black Blank = white SG = grey	Blank = 120/347VAC ZC = 277VAC input	Blank = auto-test, non audible CW1 = cold weather 120VAC CW3 = cold weather 347VAC ¹ NEX = NEXUS® system interface NEXP = NEXUS®Pro IoT NEXRF = wireless NEXUS® system interface PMK-L = universal bracket (sold separately) 690.0454-L = additional-bit for tamper-proof screws (sold separately)
Note: Minimum lamp load required: 20% of unit capacity.						¹ Available in 6V only.

EXAMPLE: RGNX362LD2