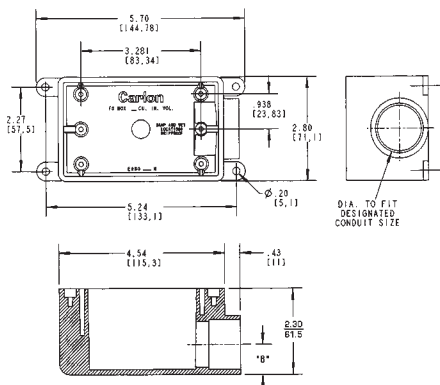


## Switch Boxes

### Single Gang FS Boxes

All sizes take standard covers and accessories or devices. Integral mounting feet provide easy mounting. Grounding lugs included.

#### Type FSE

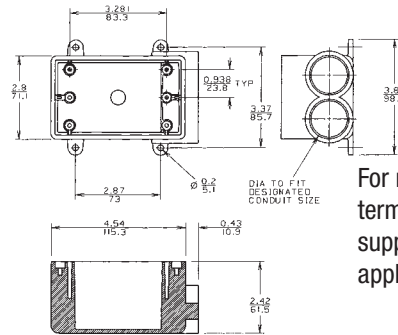


For dead-end terminations.



Cat. No.	Size (in.)	Volume Cu. In.	Std. Ctn. Qty.
C980DFN-CTN	1/2	18	12
C980EFN-CTN	3/4		12
C980FFN-CTN	1		8

#### Type FSS

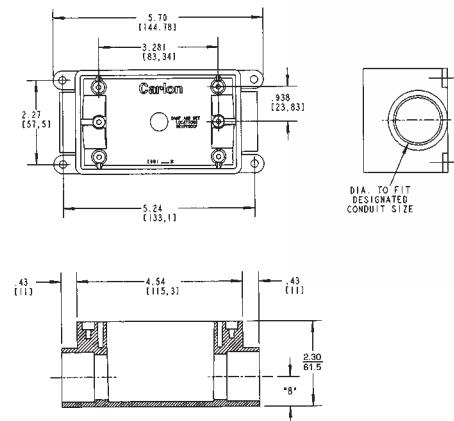


For multiple dead-end circuit terminations or where additional support is required in stub-up applications.



Cat. No.	Size (in.)	Volume Cu. In.	Std. Ctn. Qty.
C982DFN-CTN	1/2	18	12
C982EFN-CTN	3/4		12
C982FFN-CTN	1		8

#### Type FSC

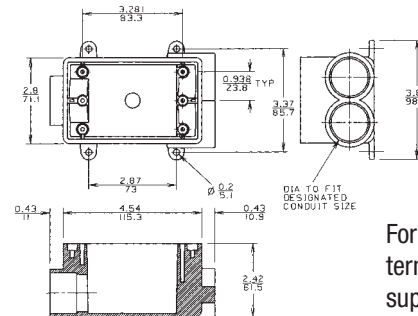


For through terminations.



Cat. No.	Size (in.)	Volume Cu. In.	Std. Ctn. Qty.
C981DFN-CTN	1/2	18	12
C981EFN-CTN	3/4		12
C981FFN-CTN	1		8

#### Type FSCC



For multiple through circuit terminations or where additional support is required in stub-up applications.



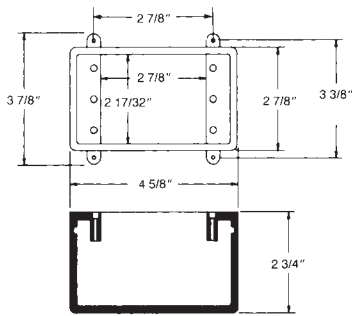
Cat. No.	Size (in.)	Volume Cu. In.	Std. Ctn. Qty.
C979DFN	1/2	18	15
C979EFN	3/4		
C979FFN	1		

## Switch Boxes

### Single Gang FD Deep Device Boxes

All sizes take standard covers and accessories or devices. Integral mounting feet provide easy mounting. Grounding lugs included.

#### Type FD

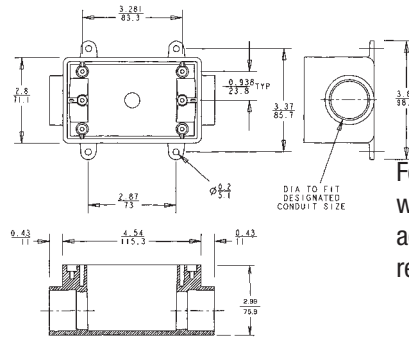


For terminations where hub requirements vary according to application – hubs easily made with flared wood bit or hole saw.



Cat. No.	Volume Cu. In.	Std. Ctn. Qty.
C9801-UPC	25	10

#### Type FDC

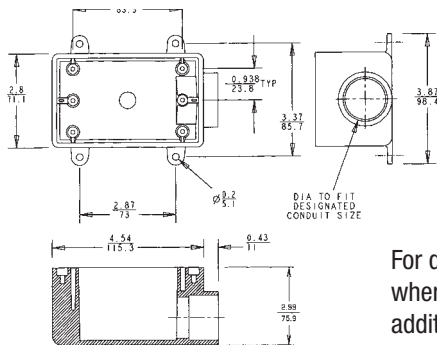


For through terminations where large devices or additional wiring capacity is required.



Cat. No.	Size (in.)	Volume Cu. In.	Std. Ctn. Qty.
C9811EN	3/4	25	10
C9811FN	1		

#### Type FDE



For dead-end terminations where large devices or additional wiring capacity is required.



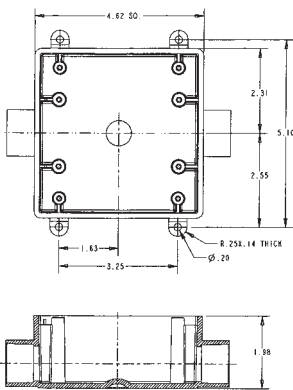
Cat. No.	Size (in.)	Volume Cu. In.	Std. Ctn. Qty.
C9801DN	1/2	25	10
C9801EN	3/4		
C9801FN	1		

## Switch Boxes

### Two Gang FS Boxes

All sizes take standard covers and accessories or devices. Integral mounting feet provide easy mounting. Grounding screws are included.

#### Type 2FSC

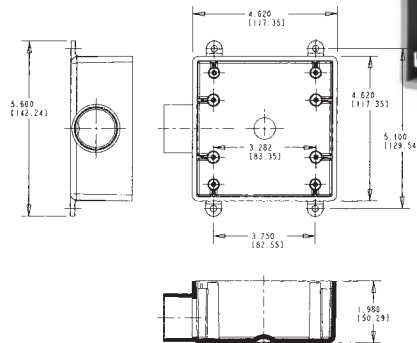


For through terminations where two devices or additional wiring capacity is required.



Cat. No.	Size (in.)	Volume Cu. In.	Std. Ctn. Qty.
CE9812DR	1/2	32	4
CE9812E-CTN	3/4		10
CE9812FR	1		10

#### Type 2FSE

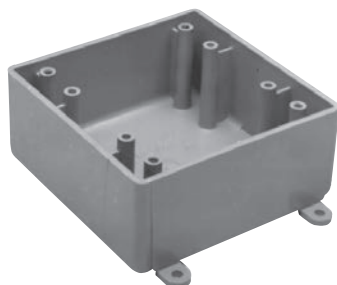
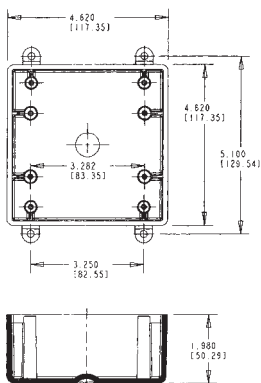


For dead-end terminations where two devices or additional wiring capacity is required.



Cat. No.	Size (in.)	Volume Cu. In.	Std. Ctn. Qty.
CE9802D-CTN	1/2	32	10
CE9802E-CTN	3/4		10
CE9802FR	1		1

#### Type FS



For terminations where hub requirements vary according to application - hubs easily made with flared wood bit or hole saw.



Cat. No.	Size (in.)	Volume Cu. In.	Std. Ctn. Qty.
CE9802	N/A	32	10