



Genesis™ LER800 Series

Die-Cast Aluminum Exit Sign

Type: _____

Project/Location: _____

Contractor: _____

Prepared By: _____

Date: _____

Model No.: _____

FEATURES

- Durable, powder-coated Die-Cast construction
- Slim contoured body design
- Diagnostic/self-test feature comes standard on all Self-Powered models
- Even illumination in both normal and emergency operation
- Universal mounting – wall, end or ceiling mounting
- Illumination in both normal and emergency operation
- Long-life LED light source of **ALINGAP** technology assures low maintenance cost and is warranted for ten (10) years
- Energy efficient – consumes less than 3W
- Maintenance-free, long-life sealed Nickel-Cadmium battery
- Normal AC and emergency DC operation – 120 to 347V universal AC input; 6 to 48V universal DC input
- NEXUS® compatible (for more information on NEXUS®, please consult your sales representative)
- Meets or exceeds CSA 22.2 No. 141-15

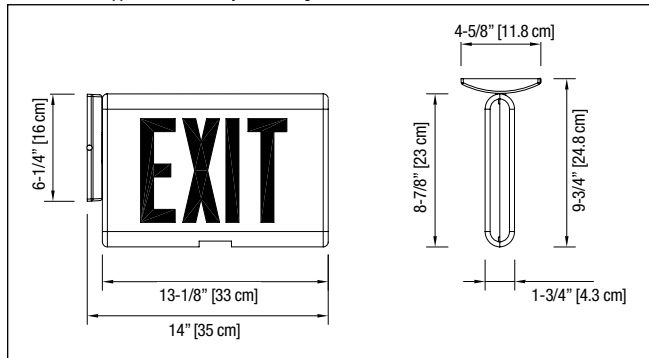
See warranty details at: www.tnb.ca/en/brands/lumacell



nexus®

DIMENSIONS

Dimensions are approximate and subject to change.



TYPICAL SPECIFICATIONS

Supply and install the **Lumacell® LER800 Series** LED Exit Signs. The equipment shall operate with universal two-wire AC input voltage from 120VAC to 347VAC at less than 3W and universal two-wire DC input voltage from 6VDC to 48VDC at less than 1.5W for single and double face signs. The faceplate(s) and the back plate shall snap together and shall be made of die cast aluminum. The light source shall be light emitting diodes (LED). The LED lamps shall provide illumination in normal and emergency operation and shall be mounted inside the exit on a plastic frame/reflector.

Red LED technology shall be **ALINGAP**. An LED-sensitive diffuser shall be mounted behind the legend to provide the 6" high by 3/4" stroke letters with even illumination.

The Self-Powered model shall stay illuminated during emergency operation for at least 90 minutes (red) and at least 60 minutes (green) upon AC failure. The Self-Powered model shall include self-testing and self-diagnostic functions: the equipment shall automatically test itself for 5 minutes every 30 days, 30 minutes every 60 days and 90 minutes annually. A "Service Required" lamp shall be located near the test switch and flash in the case of a fault detection. A two-LED diagnostic display shall be located inside the equipment and shall be capable of identifying the source of failure that may occur (battery, charger circuitry, or LED lamp failure).

The Exit Sign shall be CSA 22.2 No.141-15 certified.

The equipment shall be **Lumacell®** Model: _____

WIRE GUARDS

460.0079-L	Wall Mount
460.0027-L	End Mount
460.0028-L	Ceiling Mount

POWER CONSUMPTION

MODEL	AC SPECS		DC SPECS	
AC/DC red	120/347VAC	Less than 3W	6 to 48VDC	Less than 1.5W
AC/DC green	120/347VAC	Less than 3W	6 to 48VDC	Less than 1.5W
Self-Powered red	120/347VAC	Less than 3W	Ni-Cd Battery	Min. 90 minutes
Self-Powered green	120/347VAC	Less than 3W	Ni-Cd Battery	Min. 60 minutes

ORDERING INFORMATION

SERIES	FACEPLATES	HOUSING FACEPLATES COLOURS	VOLTAGE	OPTIONS
LER= EXIT	850U = single face, universal mount 860U = double face, universal mount	B = black BA = brushed aluminum BBA = black/brushed aluminum BZ = bronze CH = all chrome PB = all polished brass WBA = white/brushed aluminum WH = factory white Other colours available.	Blank = 120VAC to 347VAC, 6VDC to 48VDC SPD = Self-Powered diagnostic Ni-Cd, 120/347VAC NEX = NEXUS® system interface* * Not all options are available with the NEXUS®. Please consult your sales representative.	GN = green legend TP = tamper-proof screws* VRTP = polycarbonate shield with tamper-proof screws* * 990.0119-L= tamper-proof bit (sold separately)

EXAMPLE: LER850WH