



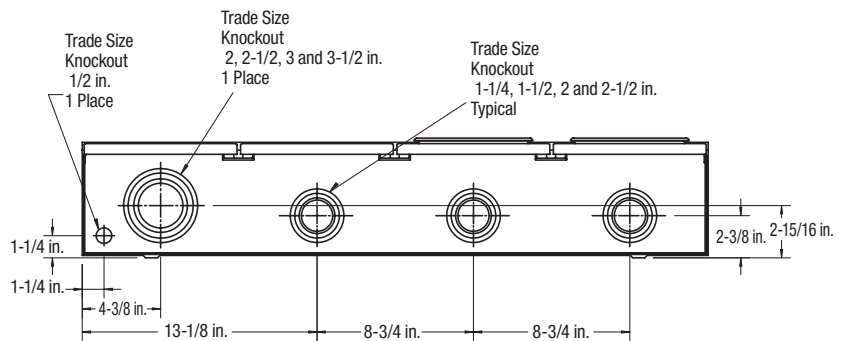
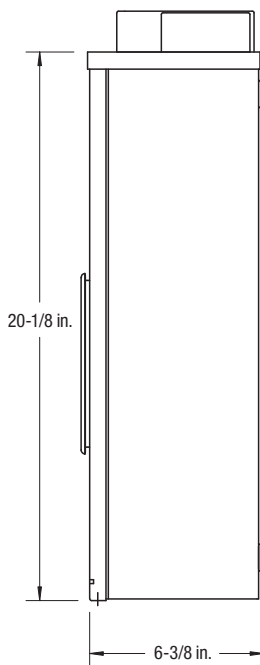
(BSC42-VGA)

BSC4-G Series

400 A (Main Lugs) 600 V; Stud Type Multiple Position with Blank Compartment 200 A per Position

Product Specifications

- Conductor range: Line: Single 1/2 in. studs to accommodate compression lugs (supplied by utility), Load: 6 AWG-250 kcmil
- Aluminum tunnel type connectors for load side
- For underground service only
- Twin wiring compartment, increased length of the busbars and double 1/2 in. studs to accommodate compression lugs
- Supplied with screw type rings
- Weatherproof Type 3R enclosure
- **Primarily used in: Ontario and British Columbia**

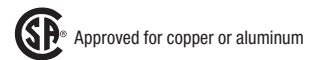


For use in Ontario



Cat. No.	Left-Hand Entry	Right-Hand Entry	Meter Position	Dimensions (in.)			Weight Each	
				H	W	D	lb.	kg
BSC42-VG		BSC42-VGH	2 position	23-3/8	35	5-5/16	58	26.3
BSC43-VG		BSC43-VGH	3 position		43-3/4		72	32.7
BSC44-VG		BSC44-VGH	4 position		52-1/2		86	39.0
BSC45-VG		BSC45-VGH	5 position		61-1/4		100	45.4
BSC46-VG		BSC46-VGH	6 position		70		114	51.8

For use in British Columbia



Cat. No.	Left-Hand Entry	Right-Hand Entry	Meter Position	Dimensions (in.)			Weight Each	
				H	W	D	lb.	kg
BSC42-VGA		BSC42-VGAH	2 position	23-3/8	35	5-5/16	58	26.3
BSC43-VGA		BSC43-VGAH	3 position		43-3/4		72	32.7
BSC44-VGA		BSC44-VGAH	4 position		52-1/2		86	39.0
BSC45-VGA		BSC45-VGAH	5 position		61-1/4		100	45.4
BSC46-VGA		BSC46-VGAH	6 position		70		114	51.8