



RGS-TB Series

Decorative 6, 12 and 24 V T-Bar Unit

Type: _____
 Project/Location: _____
 Contractor: _____
 Prepared By: _____
 Date: _____
 Model No.: _____

Fully recessed units for T-Bar mounting in suspended ceilings.

The **RGS-TB Series** battery units are designed for T-bar ceiling grid installation. This slim-line, unobtrusive unit is ideally suited for any commercial location where there is limited wall space and where the greater directional flexibility of ceiling-mounted heads is needed to provide greater light distribution.

FEATURES

- Rugged steel cabinet with corrosion-resistant undercoating.
- Battery and charger are concealed above the ceiling level in the unit cabinet
- Removable panel provides easy access to battery and circuitry
- Test switch and LED indicators are mounted on the visible bottom panel
- Units mount quickly and easily in standard 2' X 2' or 2' X 4' grids without any additional hardware
- Solid-state pulse-type charger – current-limited, temperature-compensated, short-circuit proof and reverse-polarity protected
- Unit comes standard with electronic lockout and brownout circuits
- Sealed dust-proof transfer relay, test switch and LED indicator lights
- Long-life, maintenance-free lead acid battery
- Meets or exceeds CSA C22.2 No. 141-15

See warranty details at: www.tnb.ca/en/brands/lumacell



TYPICAL SPECIFICATIONS

Supply and install a complete emergency lighting system as described herein and shown on the drawings.

The **Lumacell® Smart Diagnostic** Micro controller board shall supply the rated load for a minimum of a 30 minutes to 87.5% of the rated battery voltage. The unit shall be rated 120V or 347V, 60 Hz and be CSA listed. The unit shall have an output of _____ V.

The charger shall be fully computer tested and its charge voltage factory set to ± 1% tolerance. Chargers with field-adjusted potentiometers are not acceptable. A pulse-type charger shall be employed to promote long battery life and reduce the potential for grid corrosion. The charger shall provide a continuous high charge to recharge the battery, when the battery is at full capacity, the charger will shut-off. Periodically the charger shall provide a pulse of energy to keep the battery topped off. The charger shall be current limited, temperature compensated, short-circuit proof and reverse polarity protected. The unit shall be furnished with an electronic lockout circuit, which will connect the battery when the AC circuit is activated, and an electronic brownout circuit, which will activate the emergency lights when utility power dips below 75% of nominal voltage.

A low voltage battery protection circuit shall be provided and will disconnect the battery from the fused output circuit at the end of discharge. The unit shall self-test for 1 minute every 30 days, 10 minutes on the 6th month and 30 minutes every 12 months. The unit shall be capable of full recharge in compliance with CSA specifications. The unit shall be furnished with sealed dust tight relay, a test switch and seven diagnostic LED indicator lights to continuously monitor the status of the unit: Battery Failure, Battery Disconnected, Charger Failure, Lamp Failure, Service Alarm, AC "ON", Charger High Rate. The unit shall be T-bar mounted and come complete with tool-less emergency lighting heads requiring no tools to adjust or aim.

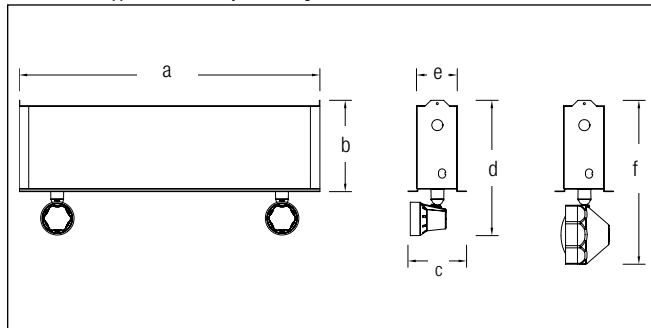
The unit shall be CSA 22.2 No.141-15 certified.

The unit shall be **Lumacell®** model: _____ .

CABINET	DIMENSIONS					
	A	B	C	D	E	F
Large Cabinet	23-3/4" (60.3 cm)	7-1/4" (18.4 cm)	7-1/8" (18.1 cm)	10-5/8" (27.0 cm)	5-5/8" (14.3cm)	13" (33.0 cm)
Small Cabinet	23-3/4" (60.3 cm)	7-1/4" (18.4 cm)	4-5/8" (11.7 cm)	10-5/8" (27.0 cm)	3-1/4" (8.3 cm)	13" (33.0 cm)

DIMENSIONS

Dimensions are approximate and subject to change.



REPLACEMENT LAMPS

ORDERING CODE	LAMP TYPE	VOLTAGE/WATTAGE
570.0016-L	Mini tungsten (9W)	6V-9W
570.0025-L	Mini tungsten (9W)	12V-9W
570.0045-L	Mini tungsten (9W)	24V-9W
580.0104-L	MR16, LED	12V-5W
580.0093-L	MR16, LED	12V-4W
580.0097-L	MR16, LED	6V-4W
580.0098-L	MR16, LED	24V-4W
580.0100-L	MR16, LED	24V-6W
580.0106-L	MR16, LED	12V-6W

For the complete list, please see the lamp chart on page 152-154.

Type: _____
 Project/Location: _____
 Contractor: _____
 Prepared By: _____
 Date: _____
 Model No.: _____

RGS-TB Series

Decorative 6, 12 and 24 V T-Bar Unit



POWER CONSUMPTION AND UNIT RATING

MODEL	AC SPECS	WATTAGE CAPACITY				
		30MIN	1H00	1H30	2H00	4H00
RG36TB	0.10/0.04A	36	21	15	12	6
RG72TB	0.22/0.08A	72	42	30	24	12
RG108TB	0.22/0.08A	108	63	45	36	18
RG180TB	0.22/0.08A	180	105	75	60	30
RG12S36TB	0.09/0.03A	36	21	15	12	6
RG12S72TB	0.15/0.06A	72	42	30	24	12
RG12S100TB	0.34/0.12A	100	58	42	33	17
RG12S144TB	0.40/0.14A	144	84	60	48	24
RG12S216TB	0.41/0.14A	216	120	90	72	36
RG24S144TB	0.55/0.20A	144	84	60	48	24
RG24S288TB	0.67/0.23A	288	168	120	96	48

ORDERING INFORMATION

SERIES	CAPACITY	HOUSING	# OF HEADS	HEAD STYLE LAMP WATTAGE	COLOUR	AC VOLTAGE	OPTIONS
RGS= 6V	36= 36W	TB= T-Bar	Blank= no heads 1= one head 2= two heads 3= three heads	LD1= MR16 LED, 6V-4W	Blank= factory white BK= black	Blank= 120/347 VAC input ZC= 277VAC input	AT= auto-test* ATN= auto-test (non-audible)* NEX= NEXUS® system interface* NEXRF= wireless NEXUS® system interface* V= voltmeter A= ammeter CT= cab-tire DPF6= 6 cct. fuse panel, DC LD= lamp disconnect (programmable) LTS= light activated test switch RR2= remote test receiver** TL= twistlock plug*** TMBB= AC/DC terminal block TMBD= DC terminal block TMBK= AC terminal block T3= time delay (15 minutes)
	72= 72W			LD7= MR16 LED, 12V-4W			
	108= 108W			LD9= MR16 LED, 12V-5W			
RG12S= 12V	36= 36W			LD10= MR16 LED, 12V-6W			
	72= 72W			LD13= MR16 LED, 24V-4W			
	100= 100W			LD14= MR16 LED, 24V-6W			
RG24S= 24V	144= 144W			130LD1= deco head, MR16 LED, 6V-4W*			
	216= 216W			130LD7= deco head, MR16 LED, 12V-4W*			
	144= 144W			130LD9= deco head, MR16 LED, 12V-5W*			
	216= 216W			130LD10= deco head, MR16 LED, 12V-6W*			
	288= 288W			130LD13= deco head, MR16 LED, 24V-4W*			
				MQM6W= MR16 halogen, 6V-6W			
				MQM10W= MR16 halogen, 6V-10W			
				MQM12W= MR16 halogen, 12V-12W			
				MQM20W= MR16 halogen, 12V-20W			
				13020W= deco head, MR16 halogen, 12, 24V-20W*			
				13035W= deco head, MR16 halogen, 12, 24V-35W*			
				13050W= deco head, MR16 halogen, 12, 24V-50W*			
				13012W= deco head, MR16 halogen, 24V-12W*			
				LH9W= large tungsten, 6V, 12V, 24V-9W, wedge base			
				LH18W= large tungsten, 12V, 24V-18W, wedge base			
				LH25W= large tungsten, 6V, 12V, 24V-25W, DCB			
				MT9W= mini-tungsten, 6V, 12V, 24V-9W, wedge base			
				MT18W= mini-tungsten, 12V, 24V-18W, wedge base			
				MQ8W= mini-halogen, 6V, 12V-8W, quartz bi-pin			
				MQ12W= mini-halogen, 6V, 12V, 24V-12W, quartz bi-pin			
				LHQ8W= large halogen, 6V, 12V- 8W, bi-pin			
				LHQ12W= halogen, 6V, 12V-12W, quartz bi-pin			
				LHQ20W= large halogen, 6V, 12V, 24V-20W, bi-pin			
				LHQ55W= large halogen, 12V-55W, H3			
				LHQ70W= large halogen, 24V-70W, H3			
				SB8W= large tungsten, 6V, 12V-8W, sealed beam			
				SB18W= large tungsten, 6V, 12V-18W, sealed beam			
				SB25W= large tungsten, 6V, 12V-25W, sealed beam			
				QSB8W= large halogen, 6V, 12V-8W, sealed beam			
				QSB12W= large halogen, 6V, 12V-12W, sealed beam			
				QSB20W= large halogen, 6V-20W, sealed beam			

* Polar white or black cabinets only.

* Minimum lamp load required: 20% of unit capacity.

* Not all options are available with NEXUS® system. Please consult your sales representative

** HH2= remote test transmitter (sold separately)

*** 120V is standard

EXAMPLE: RGS36TBILD1