

## CL Series

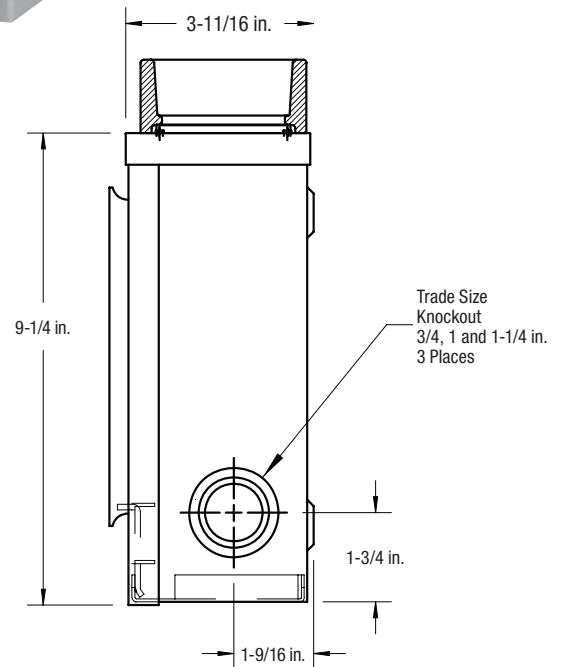
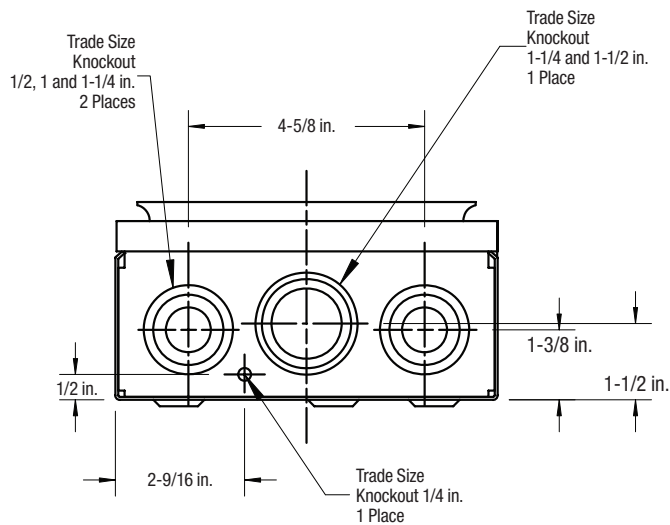
### 20 A 600 V; Transformer Rated


#### Product Specifications

- Conductor range: 14-10 AWG
- Aluminum tunnel type connectors for both load and line sides
- Circuit closing feature to short out current transformer upon removal of meter
- For overhead hub opening only
- Supplied with screw type ring
- Weatherproof Type 3R enclosure
- Primarily used in: Sask., Man., Ont., N.B., N.S., P.E.I., Nfld.



(CL4-V)



 Approved for copper only

| Cat. No.       | Description   | Dimensions (in.) |       |         | Weight Each |     |
|----------------|---|------------------|-------|---------|-------------|-----|
|                |   | H                | W     | D       | lb.         | kg  |
| <b>4 JAW</b>   |   |                  |       |         |             |     |
| <b>CL4-V</b>   | Circuit closing on left side  | 9-1/4            | 7-5/8 | 3-11/16 | 7           | 3.1 |
| <b>CL4-LRV</b> | Circuit closing both left and right sides                             |                  |       |         |             |     |
| <b>CL4-TV</b>  | Circuit closing on left side, no hub opening                          |                  |       |         |             |     |
| <b>5 JAW</b>   |   |                  |       |         |             |     |
| <b>CL5-V</b>   | Circuit closing on left side (Lower right hand jaw is a support only) | 9-1/4            | 7-5/8 | 3-11/16 | 7           | 3.1 |
| <b>6 JAW</b>   |   |                  |       |         |             |     |
| <b>CL6-LRV</b> | Circuit closing both left and right sides                             | 9-1/4            | 7-5/8 | 3-11/16 | 7           | 3.1 |



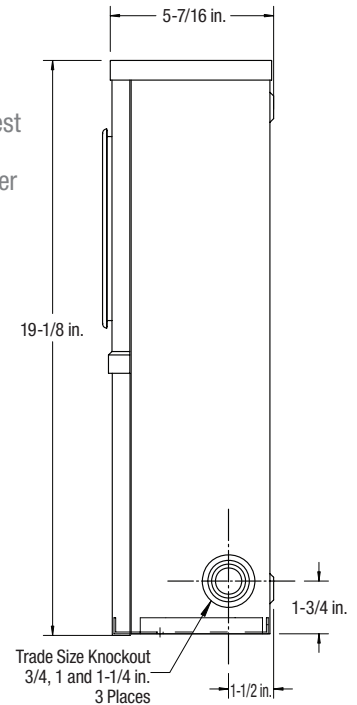
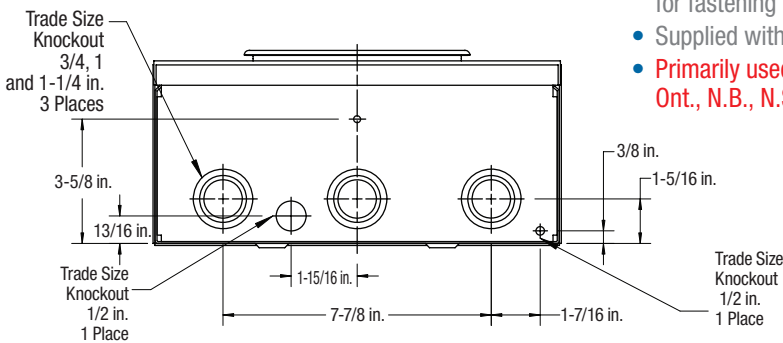
**(CT113)**

## CT Series

**20 A 600 V; Transformer Rated c/w Compartment for Test Switch**

### Product Specifications

- Conductor range: 14-10 AWG
- Tunnel type connectors for both load and line sides
- For underground service only
- Meter compartment cover overlaps lower test switch compartment cover; insertion of meter securely holds upper cover in place by means of a catch
- Lower test switch compartment cover securely held by upper cover and a catch at bottom
- A removable mounting bridge is provided for fastening test switch
- Supplied with screw type ring
- **Primarily used in: AB, Sask., Man., Ont., N.B., N.S., P.E.I.**



**SP** Approved for copper only

| Cat. No.      | Description                             | Dimensions (in.) |          |        | Weight Each |     |
|---------------|---|------------------|----------|--------|-------------|-----|
|               |   | H                | W        | D      | lb.         | kg  |
| <b>4 JAW</b>  |   |                  |          |        |             |     |
| <b>CT104</b>  | Unwired unit with test switch provision | 19-1/8           | 11-13/16 | 5-7/16 | 16          | 7.2 |
| <b>5 JAW</b>  |   |                  |          |        |             |     |
| <b>CT105</b>  | Unwired unit with test switch provision | 19-1/8           | 11-13/16 | 5-7/16 | 16          | 7.2 |
| <b>8 JAW</b>  |   |                  |          |        |             |     |
| <b>CT108</b>  | Unwired unit with test switch provision | 19-1/8           | 11-13/16 | 5-7/16 | 18          | 8.1 |
| <b>13 JAW</b> |   |                  |          |        |             |     |
| <b>CT113</b>  | Unwired unit with test switch provision | 19-1/8           | 11-13/16 | 5-7/16 | 19          | 8.6 |

Lower test switch compartment cover securely held by upper cover and a out device with an enlarged pad hole (0.375 in. dia.)

**SP** Approved for copper only

| Cat. No.       | Description   | Dimensions (in.) |          |        | Weight Each |     |
|----------------|---|------------------|----------|--------|-------------|-----|
|                |   | H                | W        | D      | lb.         | kg  |
| <b>5 JAW</b>   |   |                  |          |        |             |     |
| <b>CT105-L</b> | BC Hydro approved with SWL cover with enlarged padlock hole | 19-1/8           | 11-13/16 | 5-7/16 | 16          | 7.2 |
| <b>8 JAW</b>   |   |                  |          |        |             |     |
| <b>CT108-L</b> | BC Hydro approved with SWL cover with enlarged padlock hole | 19-1/8           | 11-13/16 | 5-7/16 | 18          | 8.1 |
| <b>13 JAW</b>  |   |                  |          |        |             |     |
| <b>CT113-L</b> | BC Hydro approved with SWL cover with enlarged padlock hole | 19-1/8           | 11-13/16 | 5-7/16 | 19          | 8.6 |

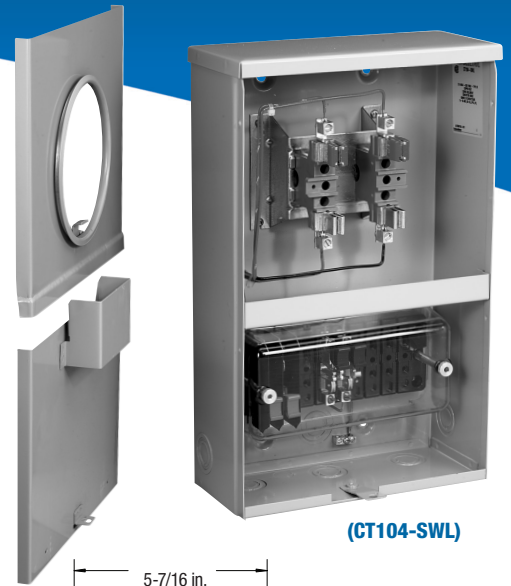


## CT-SWL Series

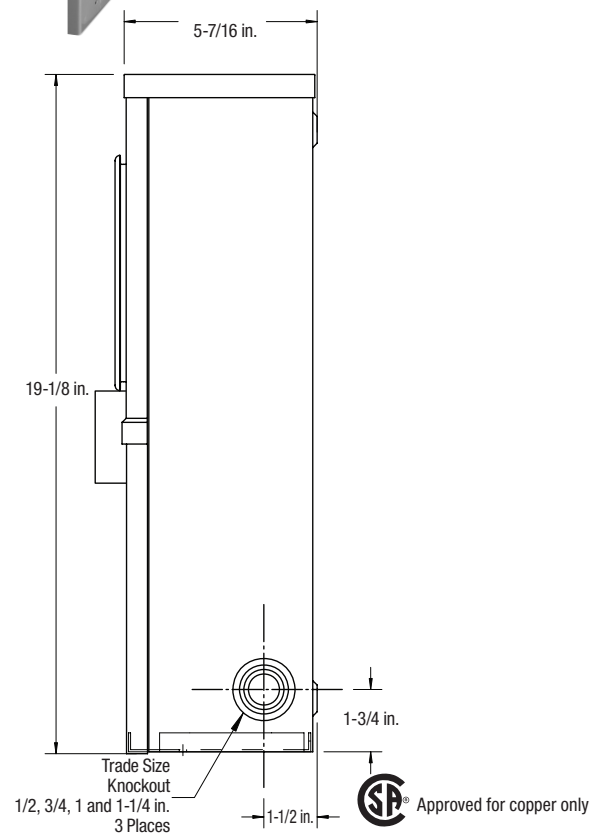
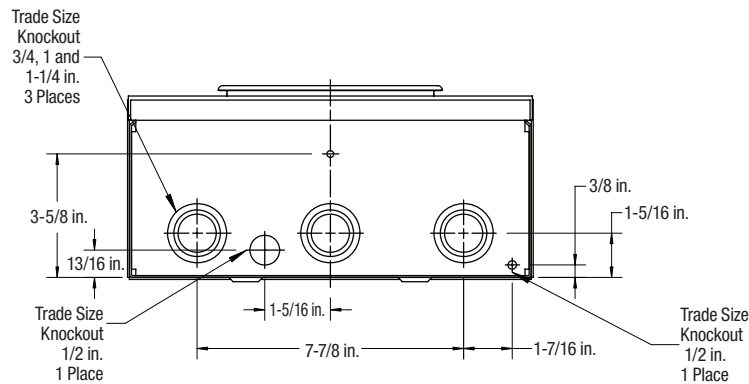
20 A 600 V; Transformer Rated c/w Test Switch

### Product Specifications

- Conductor range: 14-10 AWG
- Tunnel type connectors for both load and line sides
- For underground service only
- Lower test switch compartment cover securely held by upper cover and a out device with an enlarged pad hole (0.375 in. dia.)
- Test switch included as part of these models
- Units are prewired from base to test switch
- Furnished with tamper resistant device for meter ring
- Weatherproof Type 3R enclosure
- **Primarily used in: Alberta**  
(CT104-5SWLHQ for Hydro-Québec only)



(CT104-SWL)



| Cat. No.      | Description   | Dimensions (in.) |          |        | Weight Each |     |
|---------------|---|------------------|----------|--------|-------------|-----|
|               |   | H                | W        | D      | lb.         | kg  |
| <b>4 JAW</b>  |   |                  |          |        |             |     |
| CT104-SWL     | Factory prewired unit with lockout device on bottom door  | 19-1/8           | 11-13/16 | 5-7/16 | 18          | 8.2 |
| CT104-6SWL    | Factory prewired unit with lockout device on bottom door (Enmax approved) 5 <sup>th</sup> Jaw in 6 o'clock position |                  |          |        |             |     |
| CT104-5SWLHQ  | Hydro-Québec approved 20 A current transformer meter socket   | 18               | 8-1/4    | 4-1/2  | 11          | 5.4 |
| <b>6 JAW</b>  |   |                  |          |        |             |     |
| CT106-SWL     | Factory prewired unit with lockout device on bottom door  | 19-1/8           | 11-13/16 | 5-7/16 | 21          | 9.5 |
| <b>13 JAW</b> |   |                  |          |        |             |     |
| CT113-SWL     | Factory prewired unit with lockout device on bottom door  | 19-1/8           | 11-13/16 | 5-7/16 | 21          | 9.5 |