



AWLS-LED

Select Series Adjustable Wall light

SPECIFICATIONS

	AWLS-LED15	AWLS-LED30	AWLS-LED30A15
Watts	14	29	30 (max)
Lumens	1,761	3,540	3,599
Efficacy (Lm/W)	124	120	118
B-U-G	1-1-0	2-1-1	2-2-1
Replaces Up to	70W MH	100W MH	
Voltage	120-277V		120-347V
Colour Temp	CCT Selectable - 3000K / 4000K / 5000K Factory set to 4K		
Finish	Bronze, Custom Colour		
LED Life	100,000 Hours		
Working Temp	-40°C to +50°C		
CRI	>70		
Dimming	0-10V Dimming		
Options	Dimming Motion Sensor, 10kV surge protection		
THD	15%		
Power Factor	0.900		
Weight (Lbs)	2.55		
# of Conduit Entires	5		
Photocell	Included		



ADJUSTABLE HEAD



DESCRIPTION

The AWLS-LED select series wall light is a colour selectable fixture with an adjustable head to direct light wherever needed. Ideal for use in perimeter lighting, condos, schools, and town houses.

IDEAL APPLICATIONS



FEATURES

- Colour Selectable Fixture - Installer can choose between 3000K/4000K/5000K through a switch inside the housing.
- AWLS-LED30A15 is a lumen adjustable unit with 3 settings at 30W, 20W, and 15W.
- Adjustable head to direct light wherever needed.
- Hinge Assembly allows Installer to use both hands for wiring.
- Level bubble for quick alignment.
- Photocell is included.

AMPERAGE DRAW AND SURGE PROTECTION							
	CURRENT(A)					SURGE PROTECTION (kV)	
	120V	208V	240V	277V	347V	120-277V	120-347V
AWL1S-LED15	0.14A	0.08A	0.07A	0.06A	x	2.5kV	x
AWL1S-LED30	0.27A	0.16A	0.14A	0.12A	x	2.5kV	2.5kV
AWL1S-LED30A15	0.27A	0.16A	0.14A	0.12A	0.1A	x	2.5kV

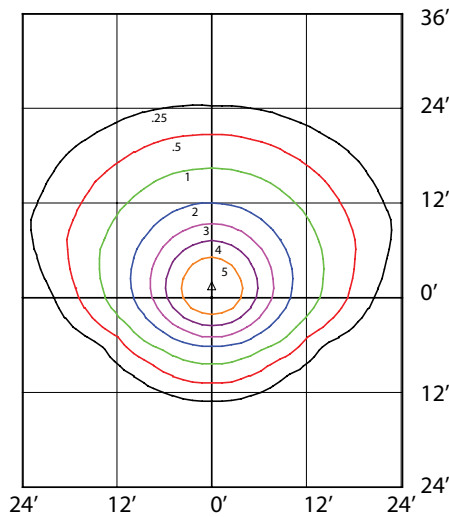
LUMEN MAINTENANCE			
	50,000	75,000	100,000
AWL1S-LED15	90%	85%	81%
AWL1S-LED30	90%	85%	81%

AWL1S-LED30A15 ADJUSTABLE LUMEN SETTINGS			
WATTS	15	20	30
LUMENS	1779	2372	3599

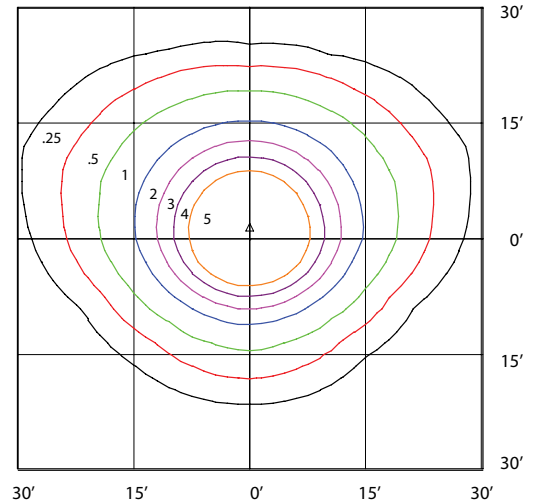
AWL1S-LED15-B-4K-BRZ-DIM-PC
MOUNTED AT 12 FEET

AWL1S-LED30-B-4K-BRZ-DIM-PC
MOUNTED AT 15 FEET

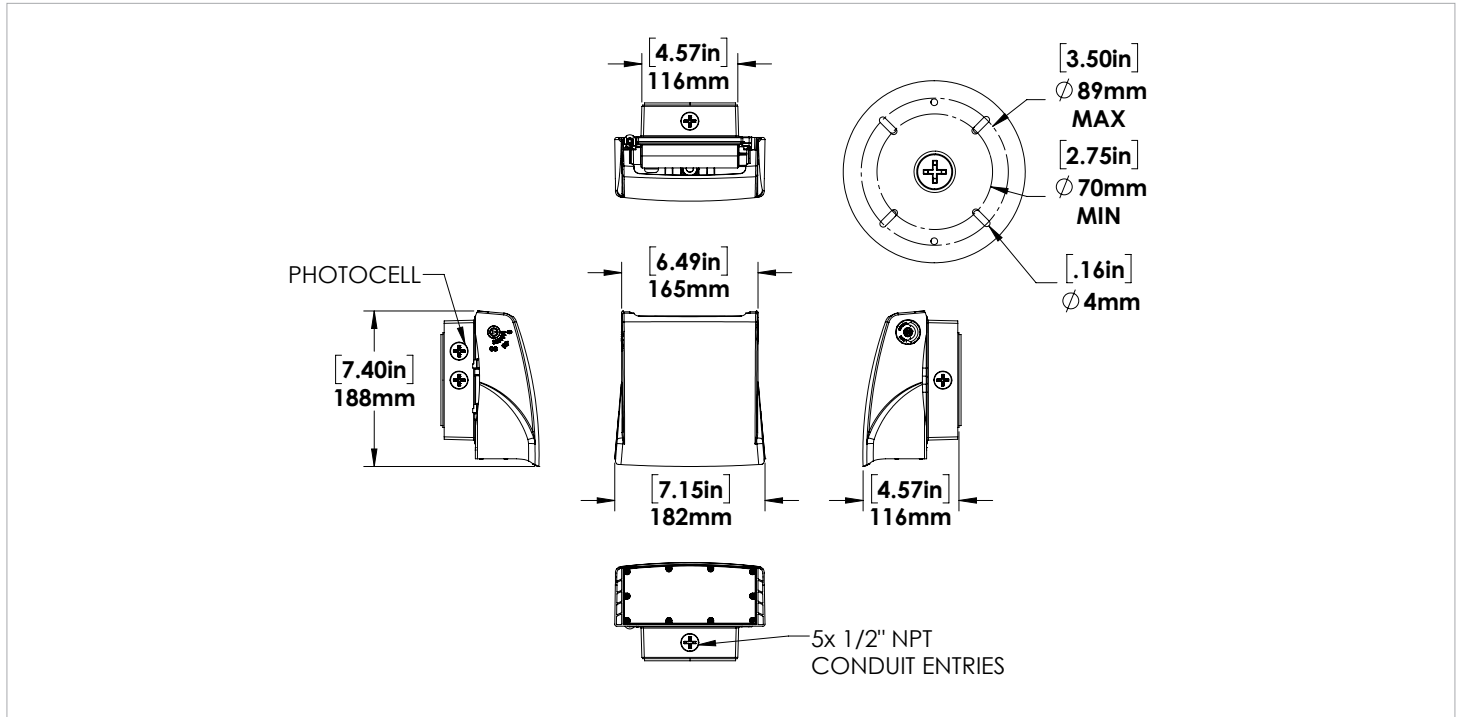
Total Lumens = 2070 Mounting Height = 12 Ft Maximum Calculated Value = 6.05 Fc



Total Lumens = 4132 Mounting Height = 15 Ft Maximum Calculated Value = 8.08 Fc



DIMENSIONS



ORDERING GUIDE

AWL1S			VK		DIM		
	WATTS	VOLTAGE	COLOUR TEMP.	FINISH	DRIVER	CONTROLS	OPTIONS
	LED 15	B - 120-277V*	VK - COLOUR SELECTABLE* (can be adjusted to 3K, 4K, or 5K)	BRZ-BRONZE* CC - CUSTOM COLOUR***	DIM -0-10V DIMMING*	PC - PHOTOCELL* DMS - DIMMING SENSOR (only for B-120-277V)	SP10- 10KV SURGE PROTECTION
	LED30						
	LED30A15 **	H - 120-347V					

*Standard Configuration.

** Is only available in 120-347V

*** Custom colours are only available with 30A15 and 120-347V configuration.