



# RHB-LED

## LED Round Highbay



RHB1-LED100/150



RHB2-LED240



RHB3-LED300

SPECIFICATIONS*	RHB1-LED100	RHB1-LED150	RHB2-LED240	RHB3-LED300
Watts	100	150	238	302
Lumens	14332	21791	34987	44765
Efficacy	143.4	145.8	146.7	148.4
Replaces Up To	250W MH	400W MH	750W MH	1000W MH
Color Temp	4000K*, 5000K*			
Certification	cULus, IP65			
Operating Temp	-40°C to +50°C			
Voltage	120-277V, 347V			120-277V, 347V
LED Life	L90 at 50,000 Hours			
Housing Material	Cast Aluminum			
Lens Material	Polycarbonate			Tempered Glass
Finish	Black			
Mounting Options	Pendant Mount, Suspended Mount, Yoke Mount			
Dimming	0-10V Dimming*			

\*Standard



## DESCRIPTION

Durable and efficient LED Highbay with optimal widespread illumination ideal for warehouses, factories, gyms and other highbay applications.

## APPLICATIONS



Warehouses



Manufacturing



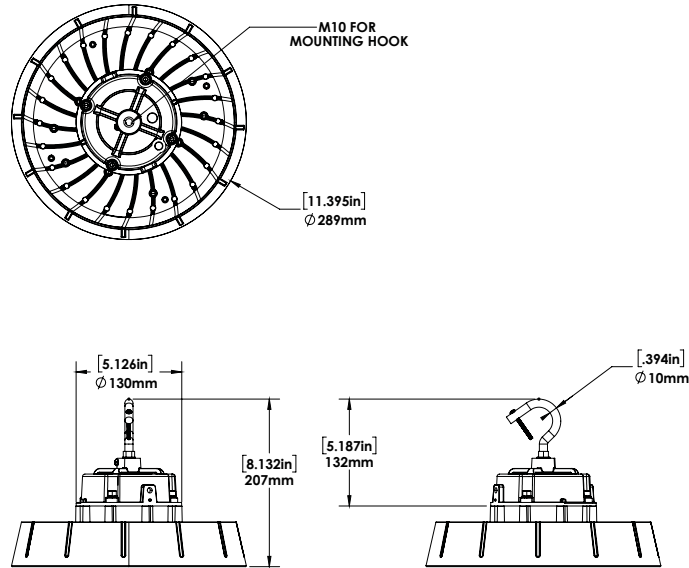
Factories

## FEATURES

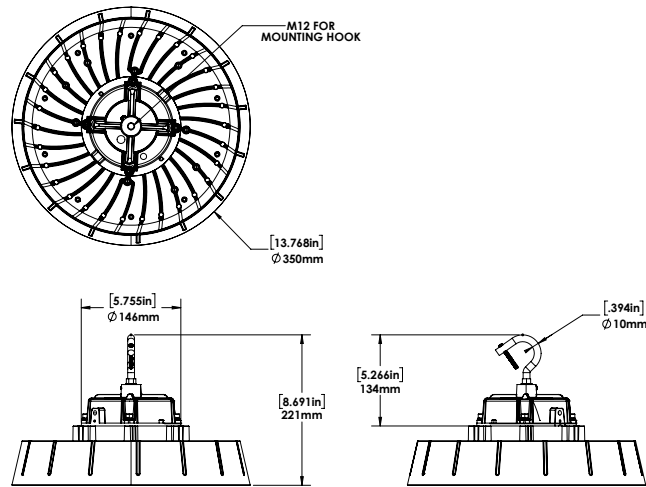
- Ruggedly designed with die cast aluminum housing and clear polycarbonate lens for RHB1/2, RHB3 has a tempered glass lens.
- Improved heat sink design - Large heat sink with space between LEDs and driver to extend fixture lifespan.
- Fixture can be suspended, pendant or yoke mounted. All units come with mounting hook for easy installation. Yoke mount accessory available as option. Yoke must be purchased and attached to the fixture for pendant mount version.
- A full range of accessories including polycarbonate and aluminum reflectors, sensor option.
- Motion sensor is optional. Standard unit comes with a shorting cap that can be removed to install the motion sensor on the field.

**FIXTURE DIMENSIONS**

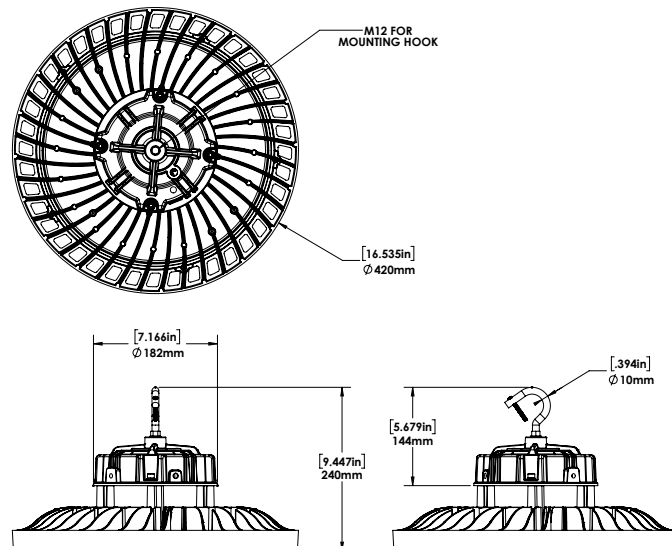
**RHB1-LED100/150**



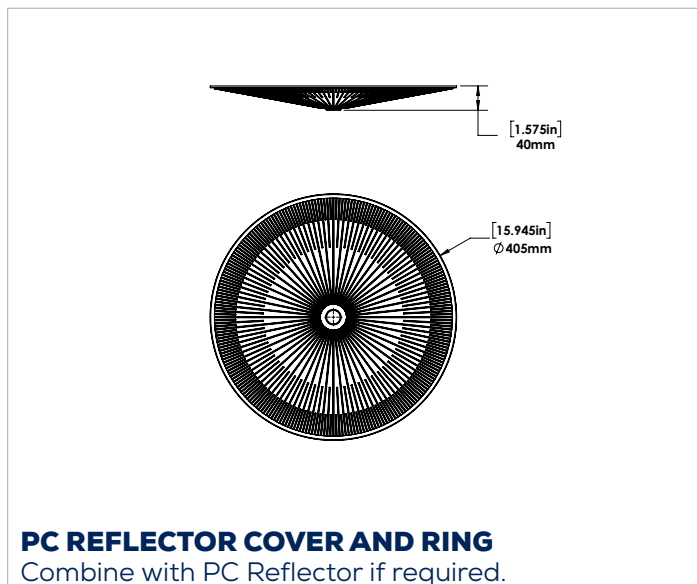
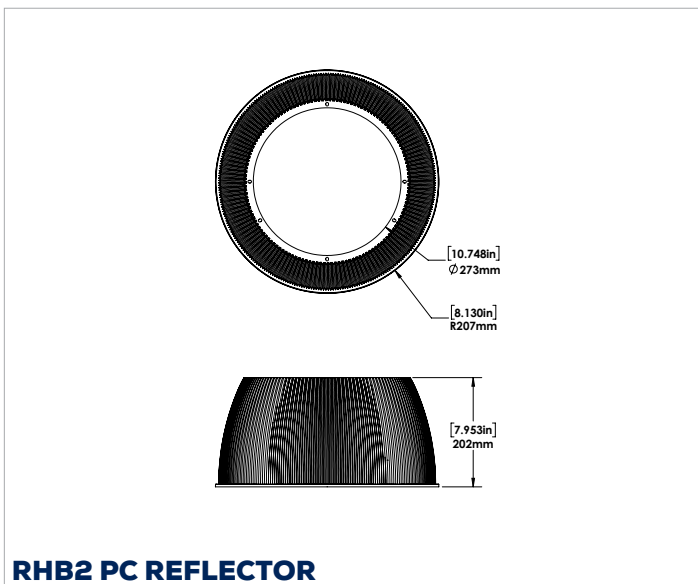
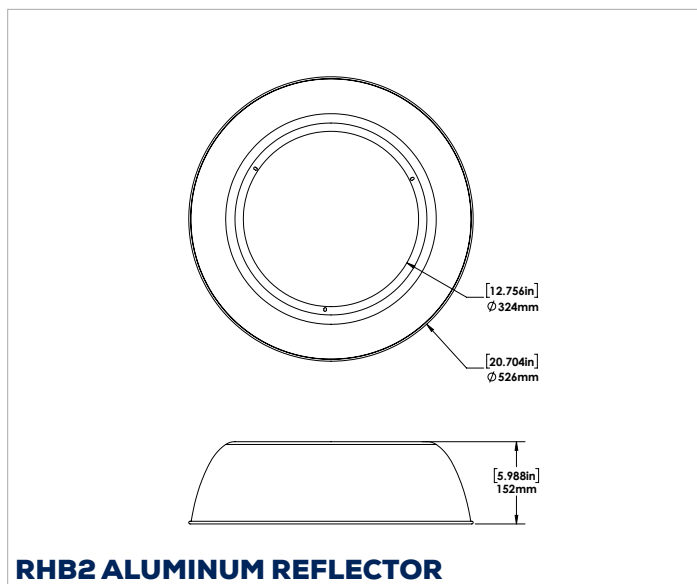
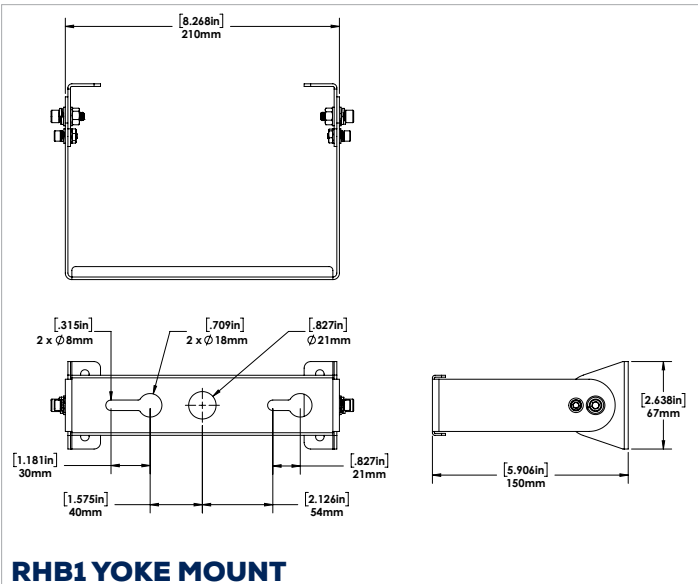
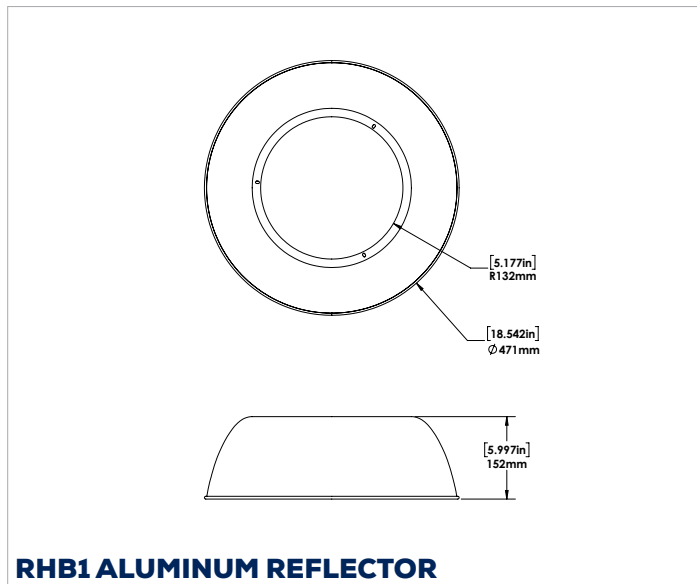
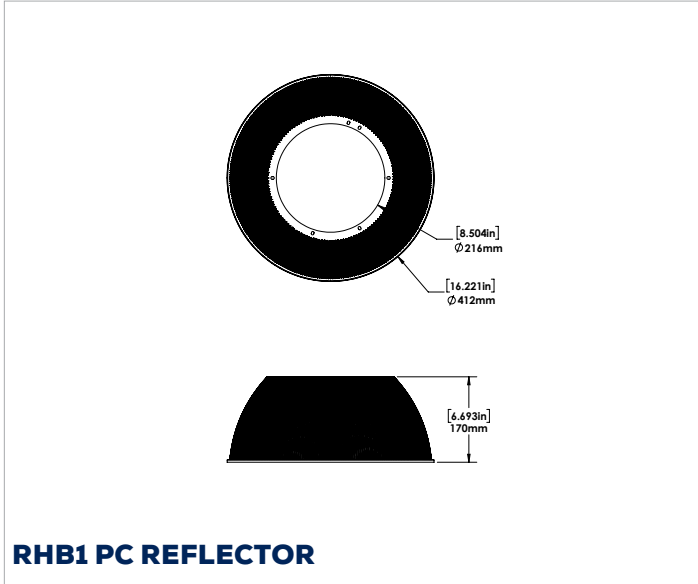
**RHB2-LED240**



**RHB3-LED300**



**ACCESSORY DIMENSIONS**



**PC REFLECTOR COVER AND RING**  
Combine with PC Reflector if required.