

INNER PANELS

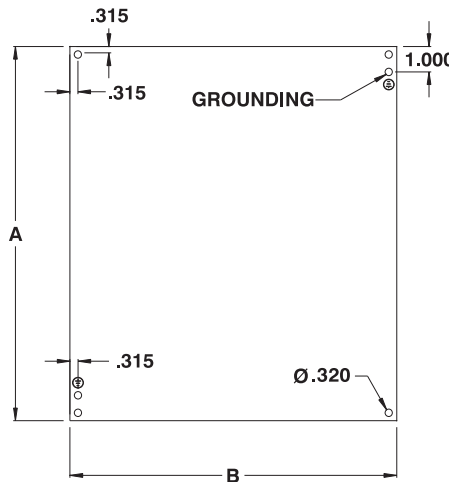
JIC Inner panels - Series 880 SP

The **880 SP Series** replacement inner panels were designed to fit our ESCH, ESFR, ESSC and ESLC (see below for details) lines of enclosures. These lines come

complete with an inner panel, therefore an 880 SP is only ordered when a replacement or spare panel is required. The 880 SP are made of white powder

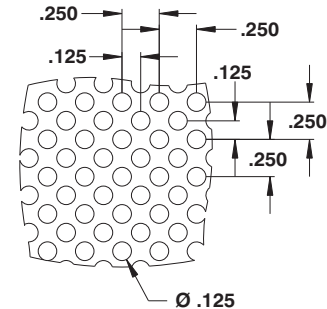
coated 14 GA steel. They are built in compliance with JIC standards and can be interchanged with most JIC inner panels from competing lines.

CATALOG NUMBER	DIMENSIONS		SHIP WGHT LBS.
	A	B	
880 SP0604	4.88	2.88	1
880 SP0606	4.88	4.88	1
880 SP0806	6.88	4.88	1
880 SP0808	6.88	6.88	1
880 SP1006	8.88	4.88	1
880 SP1008	8.88	6.88	2
880 SP1010	8.88	8.88	2
880 SP1204	10.88	2.88	2
880 SP1206	10.88	4.88	2
880 SP1208	10.88	6.88	2
880 SP1210	10.88	8.88	3
880 SP1212	10.88	10.88	3
880 SP1408	12.88	6.88	3
880 SP1412†	12.88	10.88	3
880 SP1512	13.88	10.88	4
880 SP1604	14.88	2.88	3
880 SP1606	14.88	4.88	3
880 SP1608	14.88	6.88	3
880 SP1610	14.88	8.88	4
880 SP1612	14.88	10.88	4
880 SP1614	14.88	12.88	4



For perforated panels, add suffix 'P' to the catalog number. (i.e. 880 SP1008P)

See perforation pattern below.



To order inner panels with specific material, add appropriate suffix to the catalog number.

* For Aluminum :

Add suffix 'AL' to the catalog number (ie. 880 SP1008AL).

* For Galvanized Steel :

Add suffix 'G' to the catalog number (ie. 880 SP1008G).

Note : For custom sizes and colors, please contact EXM.

* For Stainless Steel:

Add suffix "S" to the catalog number (ie. 880 SP1008S)

The 880 SP inner panels are to be used with these enclosure lines, amongst others :



1100 (small)



5412 ESCH



5412 ESSCH



5412 ESFRS †



5412 ESFRH †



5412 ESFRQ †



1100 W (small)



5412 ESSC



5412 ESLC



5100 ESCH



5300 ESCH



1500 EL

† For 14"x12" fiberglass enclosures, please order part number #880 SP1412FR.

Data subject to change without notice.