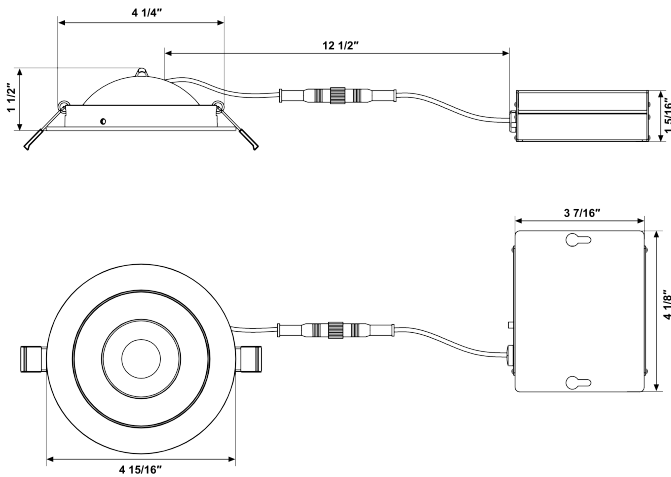


DR40RG-WH/BK/SN

4inch LED Round Gimbal Ultra Slim Recess downlight(Air tight)

| Job Information | | |
|-----------------|--|------|
| Project Name | | Type |
| Location | | |
| Quantity | | Date |
| Contact/ Name | | |
| Notes | | |



Dimming

- 10%-100% dimming capability
- Compatible with industry TRIAC/ELV dimmers (contact factory for compatible dimmers list)

Environment

- Suitable for damp locations
- Suitable for insulated ceiling application
- Can be installed indoor and for outdoor applications

Mounting

- Included two springs loaded clips to attach to any ceiling material
- The slim profile allows to be mounted dock work

Description

- DR40RG, a 9 watt 4-inch All CCT slim profile round gimbal LED panel is a high-performance, easy to install downlight. It offers excellent light output, energy efficiency, and streamlined design. Adjustable gimbal is beneficial to the adjustment of angle. Suitable for damp location and use in soffits.

Beam Spread

- 38 degree beam spread

LED Driver

- Extruded aluminum junction box with integrated 210mA dimmable driver included
- Class II electronic LED driver with 100-125V AC input;
- includes an 12" cable from driver to fixture

Quick Connect Push-in Terminals

- Three "Quick Connect" Push-in terminals for fast and easy wiring

Operating Temperature

- -20°C - 40°C (-4°F - 104°F)

Body

- Durable airtight aluminum
- Adjustable Gimbal

LED Characteristics

- 9-Watt LED Module
- Minimal heat emission
- Up to 650 Lumens
- Superior LED Performance and lifespan
- Excellent Color rendering with Spotlight

SPECIFICATION

| | | | |
|-------------------|----------------------------|-----------------|--------------------------|
| Application | Ceiling Recess Mount | Energy Star | YES |
| Approved Location | Damp | Input | 100-125V AC, 60Hz, 0.09A |
| Beam Angle | 38 | LM 79 | YES |
| CTT | 3000K, 4000K, 5000K in one | LM 80 | YES |
| Certification | cETLus | Lumens | 650 |
| Class II | YES | Lumens per Watt | 72.2 |
| Color | White/Black/Brushed Nickel | Power Factor | >0.95 |
| CRI | 80+ | Projected Life | 5 Years |
| Dimming | YES | Wattage | 9 Watt |
| Dimming Tech | TRIAC/ELV | Cut-Size | 4 1/4" |



Zotia International Trade Ltd.
201 Rowntree Dairy Road
Woodbridge, ON, L4L 8B8

T: 905-669-1966
F: 905-851-5262

E: sales@zotia.ca
W: www.dawnray.ca

