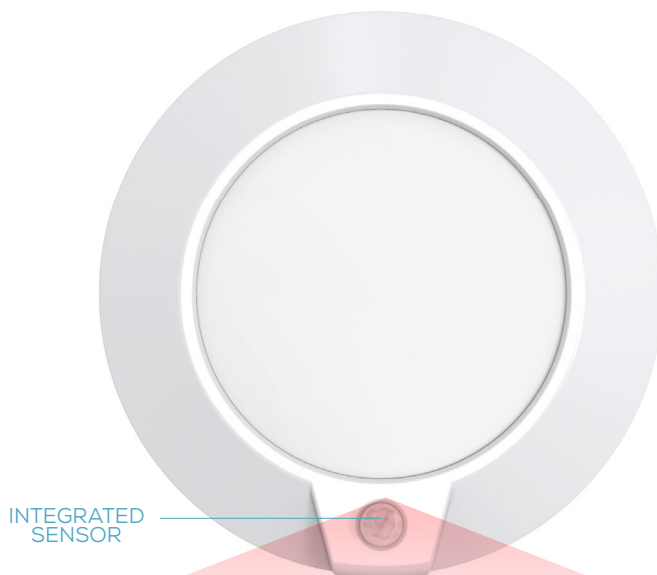


RAB[®] DESIGN

SpaceLite PRO

60 second install, mounts to existing junction boxes.



INTEGRATED
SENSOR

MOTION ACTIVATED

SPECIFICATIONS

Watts	12
Lumens	1037
Colour Temp.	2700K 4000K
Voltage	120V



DESCRIPTION

Slim LED Ceiling light with occupancy sensor that automatically detects motion & turns light On & Off. Installs in 60 seconds.

APPLICATIONS



Pantries



Laundry
Rooms



Work
Rooms



Closets



Garbage
Chutes



Crawl
Spaces



Storage
Sheds



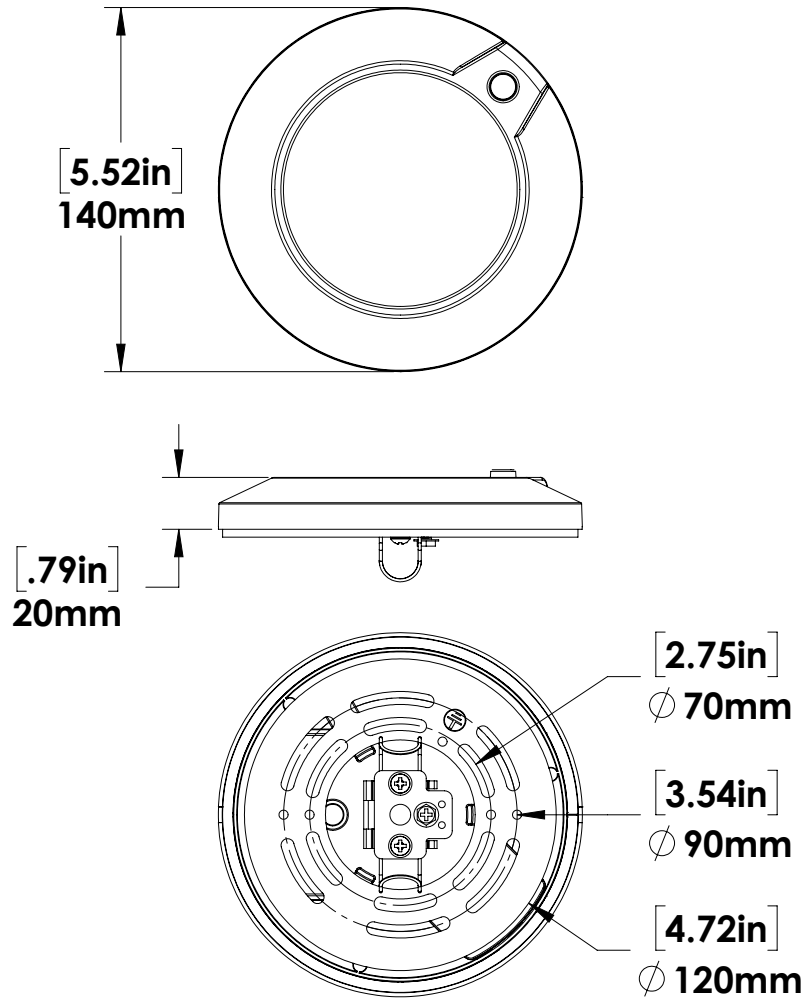
Stairwells

FEATURES

- Contemporary low profile design
- Easy to install in 60 seconds to existing recessed junction box
- Mounts flush to ceiling for indoor or outdoor applications
- Delivers 1000+ lumens replacing up to 100W incandescent lamp.
- Die cast aluminum housing with polycarbonate lens.
- Rated for damp locations
- Meets NFPA 70, NEC section 410.16, C (1) Requirements.

DIMENSIONS

MOTION ACTIVATED



60 SECOND INSTALLATION

1. Attach universal mounting plate to the junction box.



2. Connect power.



3. Complete installation by snapping fixture onto mounting plate.



AMPERAGE DRAW

CURRENT (A)

120V

SPLRP-LED 0.11A

LUMEN MAINTENANCE

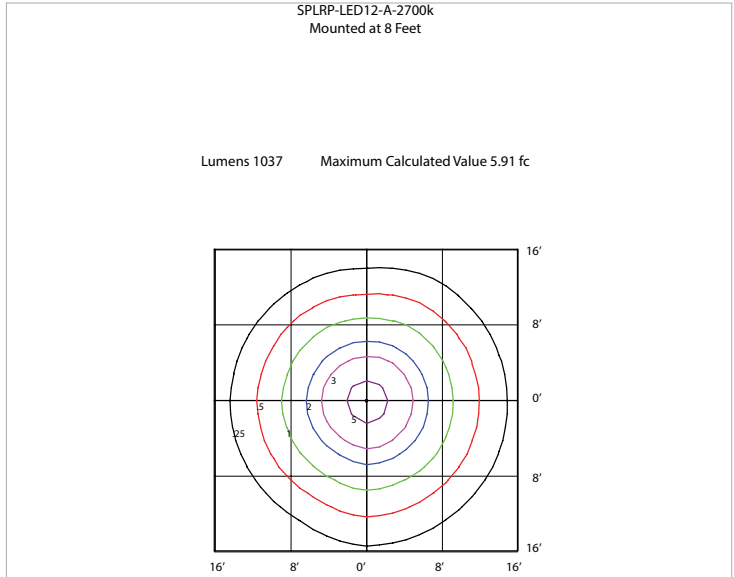
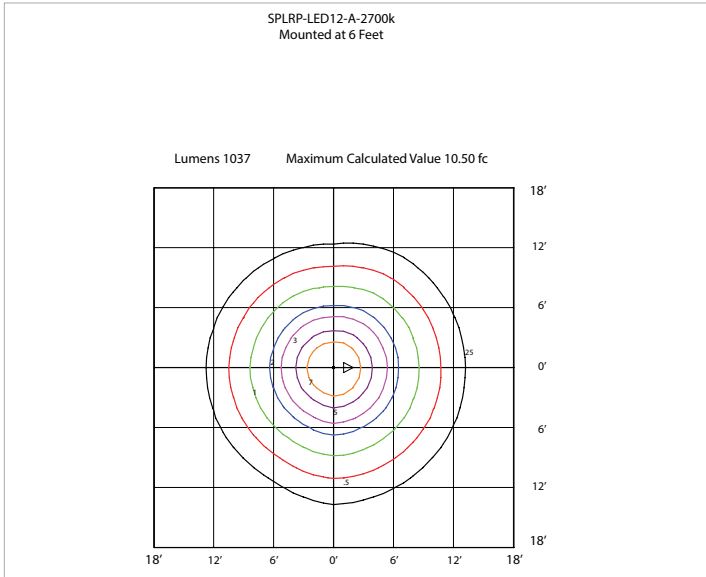
SPLRP-LED >50,000 Hours

WEIGHT (lbs)

SPLRP-LED 0.6

PHOTOMETRICS

MOTION ACTIVATED



ORDERING GUIDE

SPLRP					
WATTS	VOLTAGE	COLOUR TEMP.	FINISH	CONTROLS	
LED12	A - 120V	2.7K - 2700K 4K - 4000K	WHT - WHITE	SMS - MOTION SENSOR	

Version with no sensor available.