

Features & Benefits

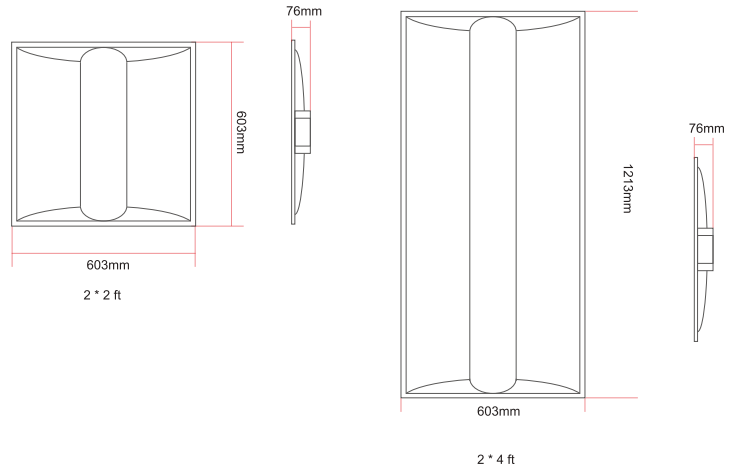
- UL/cUL DLC 4.3 with isolated external power supply
- AC100-277V, 0-10V dimmable
- LED Source: SMD2835, CRI>80, LM80 report
- PF>0.95, THD<20 %, Non-flicker
- Plastic frame + PC
- Ideal replacement for traditional troffer with over 80% energy saving!
- 5 years warranty



LED TROFFER LIGHT

Technical Specification

Input Voltage: AC100V~277V 50Hz~60Hz
 THD: < 20%
 PF: >0.95 Non-flicker
 Power Efficiency: >90 %
 Color Temperature: 5000K
 Color Rendering Index: CRI >80
 Beam Angle: 120°
 Material: Plastic+PC
 Working Temperature: -20 C ~ +45 C
 Storage Temperature: -25 C ~ +65 C
 IP Grade: IP40
 Working Life-span: 50,000H

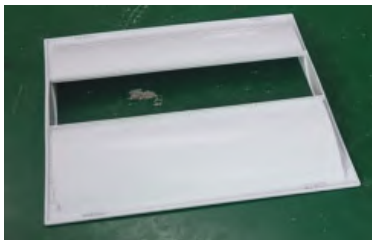


Parameters

Model	Watt	Input Voltage	Lumens	LEDs	Size(mm)	CCT	N.W
TL-35W-22Q-28-TG-01	35W	AC 100-277V	100-110 lm/W	SMD2835	2 * 2 ft	5000K	2.3 kg/pc
TL-60W-24Q-28-TG-01	60W	AC 100-277V	100-110 lm/W	SMD2835	2 * 4 ft	5000K	3.9 kg/pc

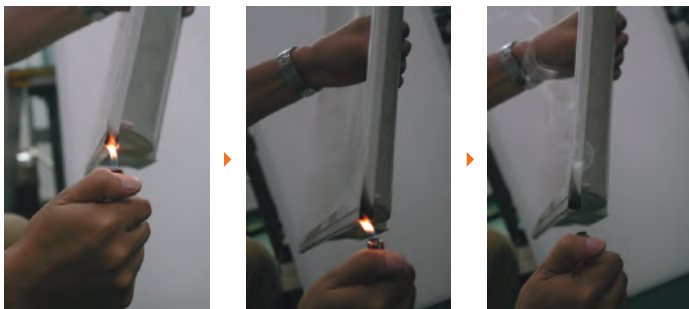


Anti-pressure test



Troffer adopt high-performance synthetic material, it can bear about 176 lbs without any transformation. Though the frame deform because of unilateral compression, it resumes once released, no signs of aging at all.

Fire-proof test



The troffer frame is mainly composed by Plastic material mixed with other fireproof material, which can prevent or block the flame from spreading. The test proves that the fireproof performance is superior, completely unable to burn.

