



Product Features

The Votatec Linear High Bay is the lighting solution for a wide variety of applications and mounting heights. Precision-designed optics, multiple distributions, and a choice of lumen outputs and color temperatures make the energy-efficient of the Linear High Bay ideal solution for industrial, commercial and other high bay application.

Linear High Bay (Dimmable)

Specification

Model No.:	Size	Watt	Efficiency	Dimming	Lens	Voltage	Color Temperature	Installation
VO-LH2W170FT4-347-50-D	4FT	170W	135LM/W	0-10V	Frosted Lens	120-347V	5000K	V Hook+Chain Surface Pendant

Dimension (inch)



Mounting

- Chain mounting ready
- Surface Mounting, Pendant Mounting

Warranty

- 5-year warranty

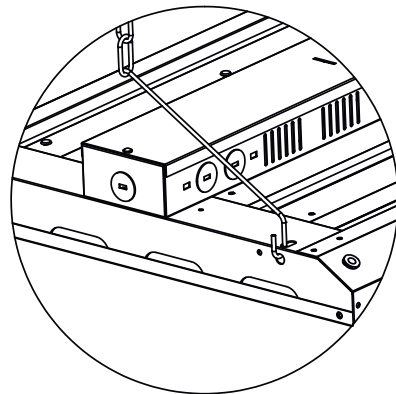
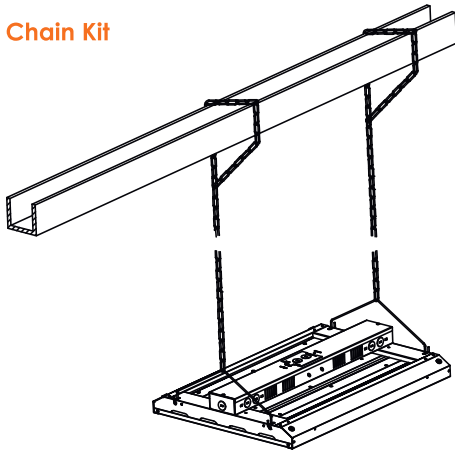
Applications

- Designed to meet recommended luminance and illuminance requirements for High bay and Low bay applications.

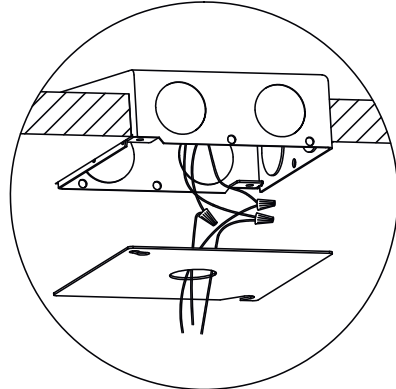
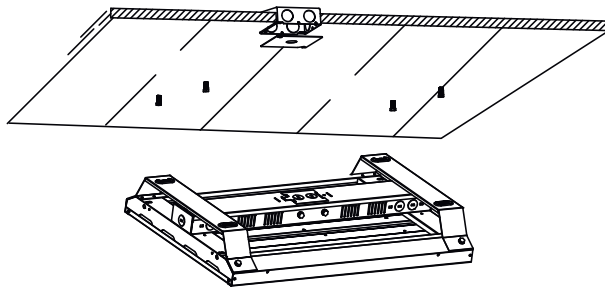
Ratings

- DLC Listed
- RoHs
- UL 1598 suitable for damp locations
- UL 8750 LED equipment in Lighting Products
- Temperature Rated at (-20° to +50°) (-4° to 122°)
- The 0-10V Dimming type is continuous
- The product can dim to 10%

Chain Kit



Surface Mounting



Pendant Hanger

