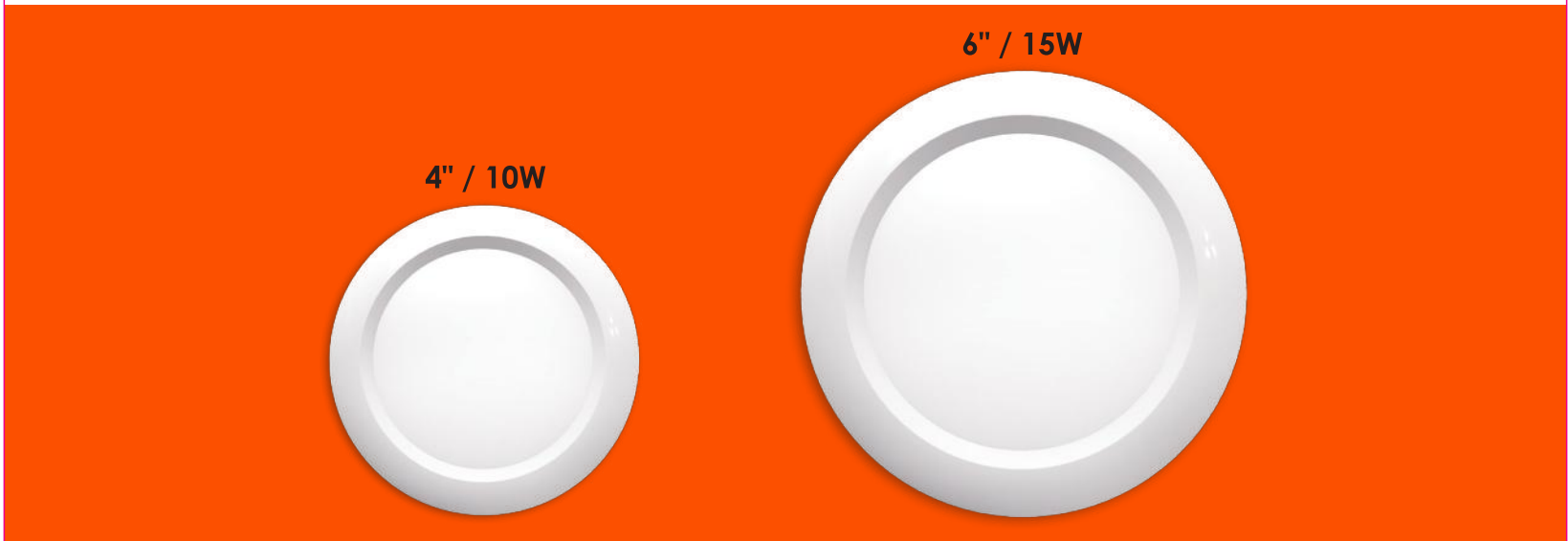


3Way CCT Adjustable 4" & 6" Disk Light LED



| MODEL | POWER | VOLTAGE | LUMENS | DIMMABLE | Beaming Angle(°) | size |
|-----------------------|-------|---------|----------|----------|------------------|-----------------|
| HM06-DL4-10W-120-3CCT | 10W | AC120V | 700±10% | Triac | 120 | Φ 4.88" x 1.25" |
| HM06-DL6-15W-120-3CCT | 15W | AC120V | 1000±10% | Triac | 120 | Φ 6.85" x 1.35" |

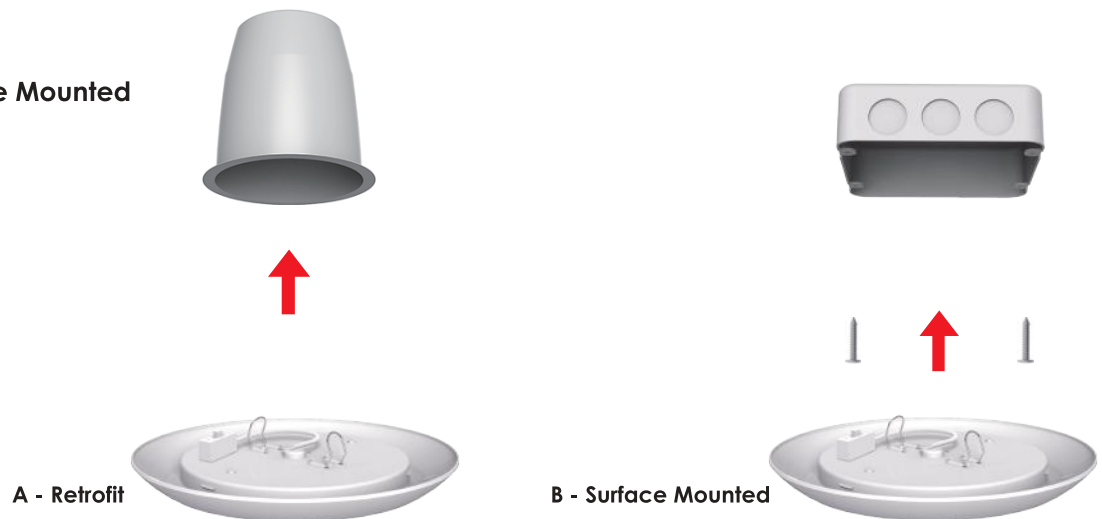
Features:

- 4" & 6" Available
- Even light, No dark spots
- Dimmable
- 3 CCT tunable
- Wet location
- 5 Years warranty
- Easy installation for 4" & 6" J-Box, CAN



Installation:

2 in 1 Recessed & Surface Mounted



Light Distribution

Perfect LED Mounting

Uniform Light Distribution

Black dots & shadow on the light, un-uniform lighting, which are the headache in LED panel field.

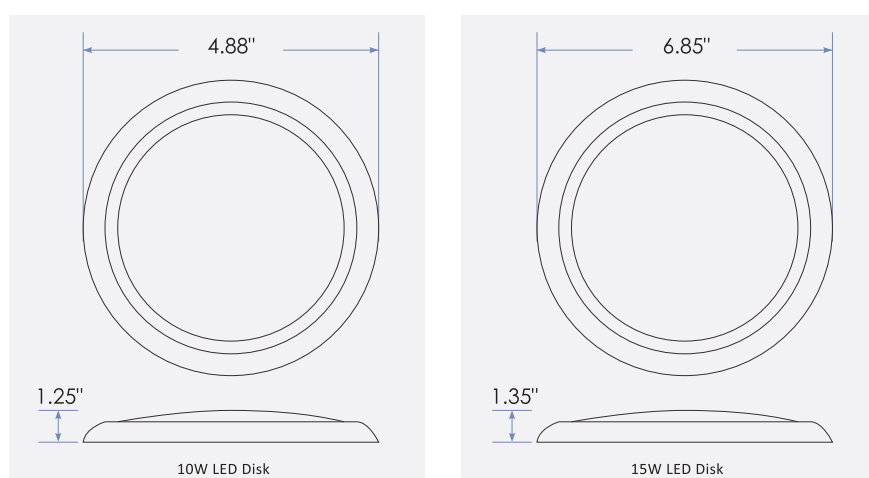
The LED Trip



- SMT technology, ensuring accurate positions for LEDs on FPCB
- Good quality LGP & diffuser plate
- Stable design for the whole structure

Above ensures uniform lighting, no black dots & shadow.

Dimension:



Polar Curves Wide Distribution

Light Distribution Curve

