

Parking Canopy Light



Specification		
Model	CES-LS-VEGA- 45W	CES-LS-VEGA- 65W
Lumens	6750lm	9750lm
Efficacy	150 lm/W	
CCT	5000K	
Beam Angle	Type V	
CRI	> 70	
LED	Lumileds 3030	
L70@25° C	> 60,000 hours	
Color Finish	White / Bronze	
Power	45W	65W
Input Voltage	AC 120 -347V	
Dimming	1- 10 V	
Power Factor	> 0.9	
Surge Protection	2KV	
Temperature	-40° F - 122°F	
Mounting	Surface Mount, Pendant Mount	
Listing	UL / DLC / 5 Years	
IP Rating	IP65	
Warranty	5 Years	

Construction

Die cast aluminium housing provides excellent thermaltransfer to extend various demands, with integrated - 4/3 inch NPS knockouts for throughwiring or to accommodate a motion sensor or daylight sensor. The Votatec Canopy also feature a durable outer lens to seal the LED compartment from water and dust intrusion.

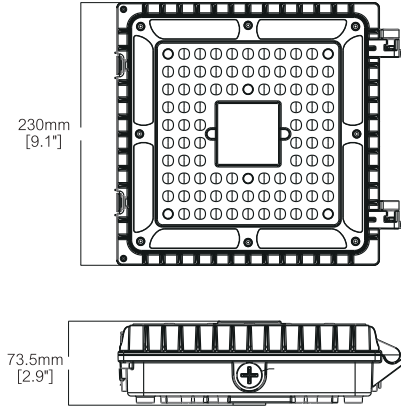
It is ideal for parking garages, entryways, security, exterior overhead illumination.

Color: Bronze / White



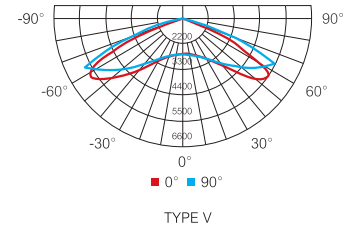
Parking Canopy Light

Dimensions & Packing Info



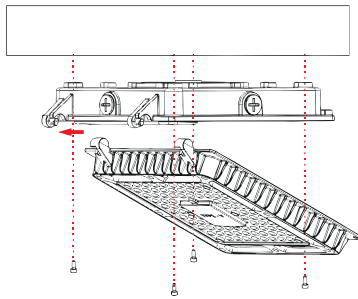
CES-LS-VG-45W/65W

Photometry

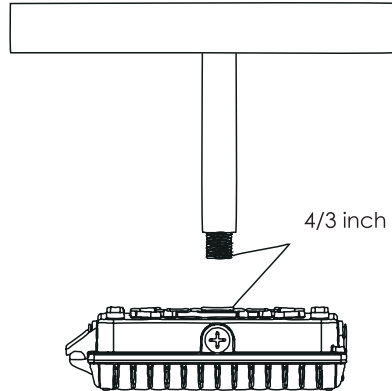


Model	Wattage	CTN Size
CES-LS-VEGA- 45W	45W	11"x11"x4.6"
CES-LS-VEGA- 65W	65W	11"x11"x4.6"

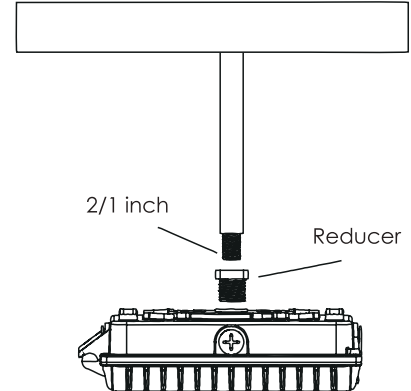
Installation



Surface Mount



Pendant Mount



Please also make sure the wire connection is fixed perfectly before using.

- This product should be installed by a fully certified electrician in accordance with local building and electrical codes.
- Due to risk of electric shock, ensure that the main power source and circuit breakers are switched off before performing any installation or wiring procedures.
- Failure to properly support the fixture during installation may cause damage or injury, for which the manufacturer is not responsible. Ensure the light hook is securely mounted and will support the weight of the fixture.
- Disconnect product and allow cooling prior to any further steps.
- Please read the instruction manual before installation and keep it for future reference.