

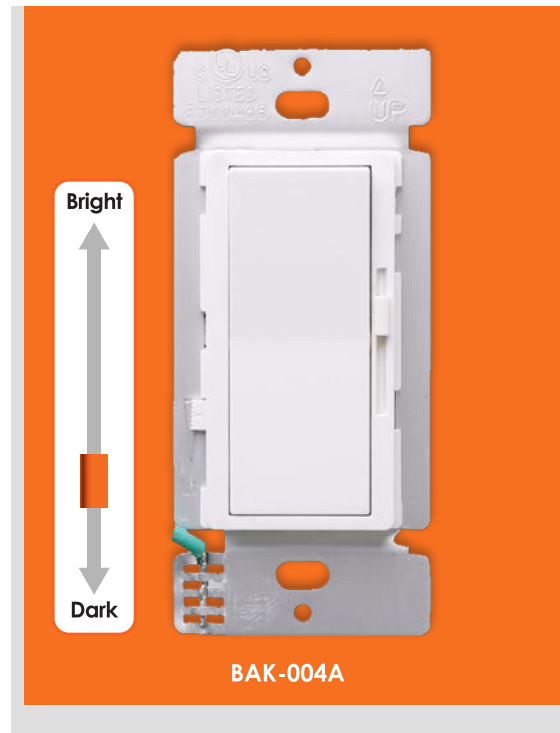
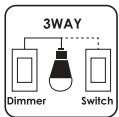
600W Slide Dimmer Universal

600W Incandescent

150W Dimmable CFL & Dimmable LED

Product Features

- About 60 Gr
- UL-1472 Solid Dimmer Switch
- Rated working Power: 600W
- Rated working voltage: 120V 60Hz
- Insulation Resistance: >10MΩ (DC500V)
- Withstand Voltage: 1500 (AC)
- Mechanical Life: 40,000 times (one reciprocating time for each switch)
- Rubber shell fire rating: UL94-V2
- Creepage distance: ≥3mm
- Electrical clearance: 1.2mm between live parts & 3mm between live parts & other parts
- Cable Specification: 18AWG
- Working Temperature: -20°C~60°C



BAK-004A

Ground Fault Circuit Interrupter with LED Light

Product Features

- Good heat dissipation
- Blade design of copper alloy contacts, good conductivity
- Super high impact resistance and thermal stability
- Cover pans are made of high quality polycarbonate
- Chemical corrosion resistance
- Fingerprint-resistant zinc plated mounting brackets
- Grounding
- One-piece grounding design
- Security
- Security doors designed to prevent people accidental exposure
- Mechanical life
- Unloaded plug ≥5000Sec Loop detection
- With automatic monitoring function
- UL498 UL943 CSA-C22.2 No.42
- Housing material flame retardant grades UL94-V2
- Rated working current: 15A
- Rated working voltage: 125V
- Power Frequency: 60HZ
- Tripping Threshold: 5mA Tripping time <25m
- Surge current: 6000V/3000A 6000V/10KA
- Electric strength: Pressure resistance 1500V 50Hz Duration 1 Min
- Working Temperature: -35°C~66°C
- Insulation resistance: >50MΩ (DC500V)
- Short-circuit current: 10KA



YGB-094

Tamper-Resistant USB-CHARGER & DUPLEX RECEPTACLE

Product Features

- Good heat dissipation
Design of bottom grid, good cooling
- Super high impact resistance and thermal stability
Cover pans are made of high quality polycarbonate
- Chemical corrosion resistance
Fingerprint-resistant zinc plated mounting brackets
- Security
Security doors designed to prevent people accidental exposure
- Mechanical life
Unloaded plug ≥ 5000 Sec
- UL498 UL943 CSA-C22.2 No.42 USB1.0/2.0/3.0
- Housing material flame retardant grades UL94-V2
- Rated working current: 15A
- Rated working voltage: 125V
- Power Frequency: 60HZ
- USB Voltage & Current: 5VDC 4A
- Wire Specifications: #14- #10AWG
- Electric strength: Pressure resistance 1500V 50Hz Duration 1 Min
- Working Temperature: $-20^{\circ}\text{C} \sim 60^{\circ}\text{C}$
- Insulation resistance: $>50\text{M}\Omega$ (DC500V)

If the devices combined power requirements exceed the power capacity of the USB Ports, the charger will automatically shut down to protect your devices.

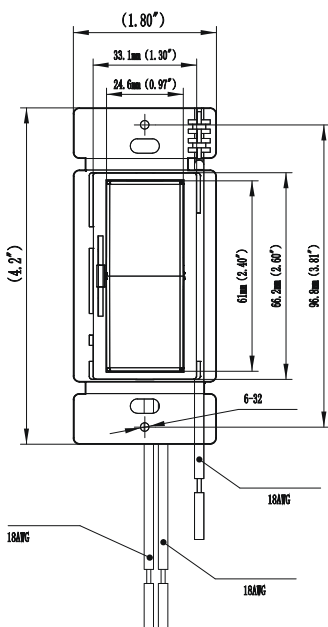


TR-BAS15-2USB

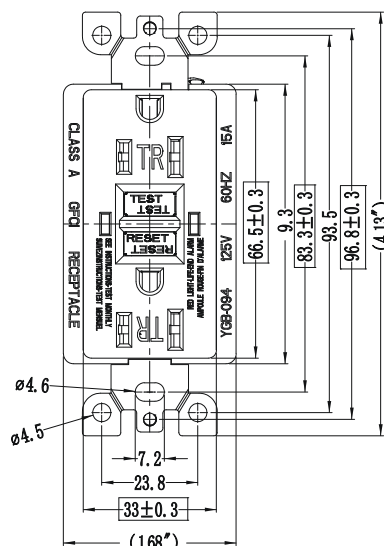


600W Slide Dimmer

600W Incandescent
150W Dimmable CFL & Dimmable LED



Ground Fault Circuit Interrupter With LED Light



Tamper-Resistant USB-CHARGER & DUPLEX RECEPTACLE

