

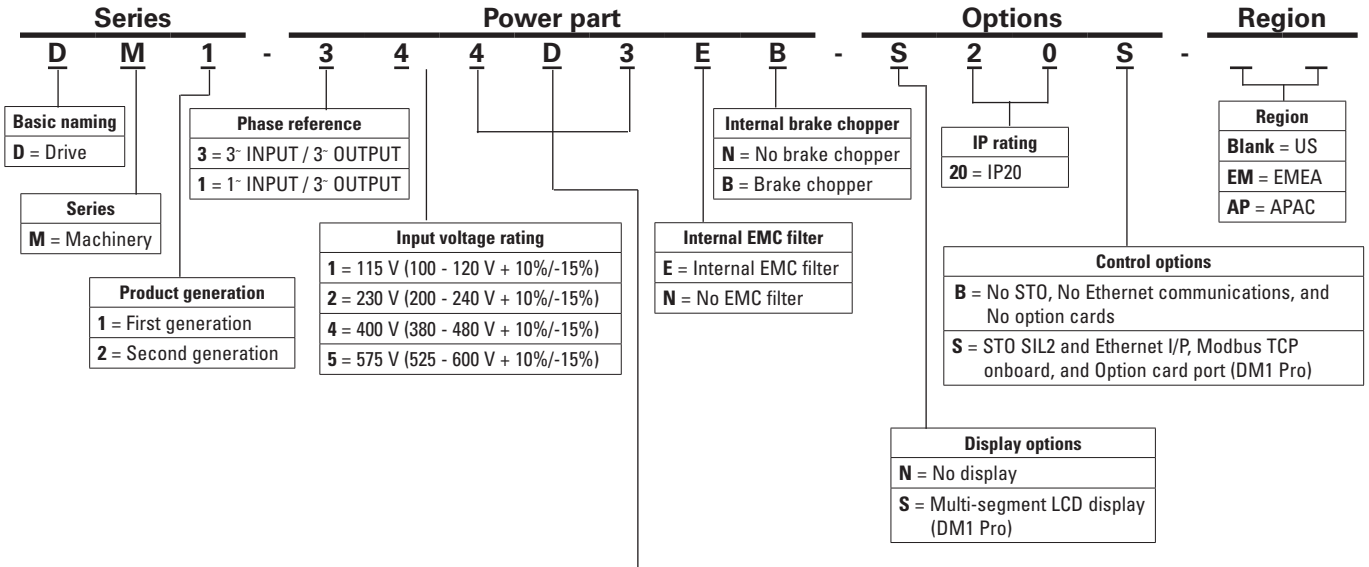
Installation manual (Original instructions)



Catalog number system

Figure 2 is for illustrative purposes only, please select a part number from the table below.

Figure 2. Catalog numbering system.



Output current rating (single phase input)		Output current rating (three phase input)		
100 - 120 v	200 - 240 v	200 - 240 v	380 - 480 v	525 - 600 v
1D6 = 1.6 A, 0.18 kW, 0.25 hp	1D6 = 1.6 A, 0.18 kW, 0.25 hp	1D6 = 1.6 A, 0.18 kW, 0.25 hp	1D5 = 1.5 A, 0.37 kW, 0.50 hp	4D5 = 4.5 A, 2.20 kW, 3.00 hp
3D0 = 3.0 A, 0.37 kW, 0.50 hp	3D0 = 3.0 A, 0.37 kW, 0.50 hp	3D0 = 3.0 A, 0.37 kW, 0.50 hp	2D2 = 2.2 A, 0.75 kW, 1.00 hp	7D5 = 7.5 A, 3.00 kW, 5.00 hp
4D8 = 4.8 A, 0.75 kW, 1.00 hp	4D8 = 4.8 A, 0.75 kW, 1.00 hp	4D8 = 4.8 A, 0.75 kW, 1.00 hp	4D3 = 4.3 A, 1.50 kW, 2.00 hp	010 = 10.0 A, 5.50 kW, 7.50 hp
6D9 = 6.9 A, 1.10 kW, 1.50 hp	7D8 = 7.8 A, 1.50 kW, 2.00 hp	7D8 = 7.8 A, 1.50 kW, 2.00 hp	5D6 = 5.6 A, 2.20 kW, 3.00 hp	013 = 13.5 A, 7.50 kW, 10.00 hp
	011 = 11.0 A, 2.20 kW, 3.00 hp	011 = 11.0 A, 2.20 kW, 3.00 hp	7D6 = 7.6 A, 3.00 kW, 5.00 hp	018 = 18.0 A, 11.00 kW, 15.00 hp
	017 = 17.5 A, 4.00 kW, 5.00 hp	017 = 17.5 A, 4.00 kW, 5.00 hp	012 = 12.0 A, 5.50 kW, 7.50 hp	022 = 22.0 A, 15.00 kW, 20.00 hp
		025 = 25.3 A, 5.50 kW, 7.50 hp	016 = 16.0 A, 7.50 kW, 10.00 hp	
		032 = 32.2 A, 7.50 kW, 10.00 hp	023 = 23.0 A, 11.00 kW, 15.00 hp	
		048 = 48.3 A, 11.00 kW, 15.00 hp	031 = 31.0 A, 15.00 kW, 20.00 hp	
			038 = 38.0 A, 18.50 kW, 25.00 hp	

Shading legend

FR1	FR2	FR3	FR4
-----	-----	-----	-----

DM1 option cards list:

- 1) DXM-NET-PROFIBUS : DM1 PROFIBUS communications card
- 2) DXM-NET-CANOPEN : DM1 CANOPEN communication card
- 3) DXG-NET-SWD-IP20 DM1/DG1: Smartwire communication card and module IP20
- 4) DXG-NET-SWD-IP54 DM1/DG1 : Smartwire communication card and module IP54

Table 8. PowerXL DM1 PRO Series drives 575 V 3-phase input.

Frame size	Constant torque (CT)/high overload (I _h)			Variable torque (VT)/low overload (I _l)			No EMC Catalog number	With EMC Catalog number
	575 V, 50 Hz kW rating	575 V, 60 Hz hp	Current A	575 V, 50 Hz kW rating	575 V, 60 Hz hp	Current A		
FR2	2.2	3	4.5	3	5	7.5	DM1-354D5NB-S20S	DM1-354D5EB-S20S
	3	5	7.5	5.5	7.5	10	DM1-357D5NB-S20S	DM1-357D5EB-S20S
	5.5	7.5	10	7.5	10	13.5	DM1-35010NB-S20S	DM1-35010EB-S20S
FR3	7.5	10	13.5	11	15	18	DM1-35013NB-S20S	DM1-35013EB-S20S
FR4	11	15	18	15	20	22	DM1-35018NB-S20S	DM1-35018EB-S20S
	15	20	22	18.5	25	27	DM1-35022NB-S20S	DM1-35022EB-S20S

Accessories

Table 9. PowerXL Series - DM1 NEMA 1 conversion kits.

Description	Catalog number
DM1 FR1 NEMA 1 kit	DXM-ACC-FR1N1KIT
DM1 FR2 NEMA 1 kit	DXM-ACC-FR2N1KIT
DM1 FR3 NEMA 1 kit	DXM-ACC-FR3N1KIT
DM1 FR4 NEMA 1 kit	DXM-ACC-FR4N1KIT
DM1 FR1 Plenum Rated NEMA 1 Kit	DXM-ACC-FR1N1PKIT
DM1 FR2 Plenum Rated NEMA 1 Kit	DXM-ACC-FR2N1PKIT
DM1 FR3 Plenum Rated NEMA 1 Kit	DXM-ACC-FR3N1PKIT
DM1 FR4 Plenum Rated NEMA 1 Kit	DXM-ACC-FR4N1PKIT

Table 10. PowerXL Series - DM1 communication card kits.

Description	Catalog number
DG1/DM1 smartwire communication card and module IP20	DXG-NET-SWD-IP20
DG1/DM1 smartwire communication card and module IP54	DXG-NET-SWD-IP54
DM1 profibus communications card	DXM-NET-PROFIBUS
DM1 canopen communications card	DXM-NET-CANOPEN

Table 11. PowerXL Series - DM1 remote keypad kits.

Description	Catalog number
Remote keypad	DXG-KEY-LCD
Remote keypad mounting holder	DXG-KEY-HOLDER
DG1/DM1 remote keypad kit (3.0 m cable)	DXG-KEY-RMTKIT
DG1/DM1 remote keypad mounting holder only bulk pack (99)	DXG-KEY-HOLDER-BP

Table 12. PowerXL Series - DM1 demo units.

Description	Catalog number
Demo case DM1 PRO	DM1-DEMO

Table 13. PowerXpert in-control software.

Description	Catalog number
PC cable	DXG-CBL-PCCABLE