

Project		Catalog #		Type	
Prepared by		Notes		Date	



Metalux

LHB

LED Linear High Bay Lensed

Typical Applications

• Industrial • Manufacturing • Gymnasium* • Warehouse

*Rigid mount not for use in gymnasiums.

Interactive Menu

- Order Information [page 2](#)
- Photometric Data [page 3](#)
- Product Warranty

Product Certification



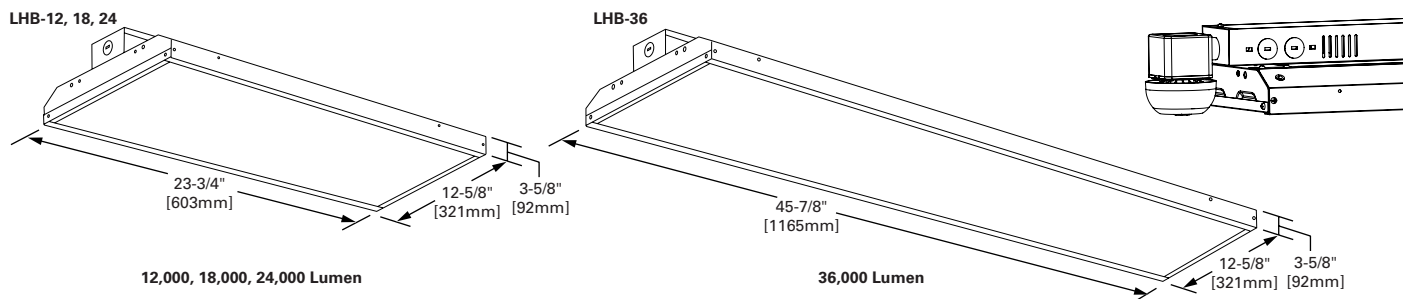
Product Features



Top Product Features

- 13 inch width in 2ft and 4ft lengths
- Standard diffused lens provides added protection and glare control
- High performance efficacy up to 143 lm/W
- Efficient 1-for-1 replacement of linear fluorescent and HID fixtures
- Lumen packages – 12,000, 18,000, 24,000 and 36,000

Dimensional and Mounting Details



Order Information

SAMPLE ORDER NUMBER: **LHB-18-UNV-L840-CD-U** Includes V Hangers and (2) 18" pieces of chain for rapid installation

Series	LED Lumen Output	Lensing	Voltage	CCT	Driver Type	Options	Packaging
Series ⁽³⁾	LED Lumen Output	Lensing ⁽²⁾	Voltage	CCT	Driver Type	Options	Packaging
LHB =LED High Bay	12=12,000 Lumens 18=18,000 Lumens 24=24,000 Lumens 36=36,000 Lumens	[Blank]=with Diffused Lens	UNV =Universal Voltage 120-277V	L840 =4000K L850 =5000K	CD =0-10V Dimming Driver	EL7W-REM =EM pack, remote installation, 7W EL14W-REM =EM pack, remote installation, 14W MS =Motion Sensor (360° or 180°) OEFPO10VMV =Occupancy Sensor with Integrated Photocell C6 =6' cord, 18/3, white C12 =12' cord, 18/3, white PC6/277 =6' white cord, 18/3, with 277V, 15A NEMA twist-lock plug PC12/277 =12' white cord, 18/3, with 277V, 15A NEMA twist-lock plug ZW-SWPD3 =WaveLinX Wireless Sensor, Sidecar mount, with 1200 sq ft. coverage	U =Unit Pack
Notes <small>(3) DesignLights Consortium® Qualified and classified for DLC Premium, refer to www.designlights.org for details.</small>		Notes <small>(2) For non-lensed option, follow the lens removal directions in the installation instructions.</small>				Notes <small>For expedited delivery of LHB with options, choose the Rapid Response program. Click hot link for details.</small>	

Accessories

Accessories (order separately) ⁽¹⁾
LHB-WG23 =Wire Guard Kit for 12,000, 18,000 and 24,000 lumen units LHB-WG45 =Wire Guard Kit for 36,000 lumen units LHB-SMK =Surface Mount Kit LHB-PMK =Pendant Mount Kit EBPLED7W =7 Watt emergency ballast pack - field installed EBPLED14W =14 Watt emergency ballast pack - field installed OEF-P-2MHO-MV-SL =Motion sensor, 360 degrees, 120-277V, side mount - field installed LHB-Y-TOGGLE-3M = Y-toggle aircraft cables (2), 9 feet 10 inches length
Notes <small>(1) Rigid mount not recommended for use in gymnasiums.</small>

Product Specifications

Construction

- Full body construction with center driver housing for added durability and thermal control

Electrical

- Long-life LED system coupled with electrical driver to deliver optimal performance
- LED's available in 4000K and 5000K with a CRI ≥ 80
- Electronic drivers are available for 120-277V applications
- Standard 0-10V dimming

Finish

- Standard white polyester powder coat finish painted after fabrication for increased durability and rust inhibition

Optics

- Diffused lens provides added protection and glare control

Mounting

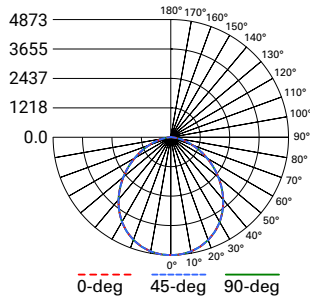
- The LHB series is ideally suited for suspension mounting with wire hook and chain set included

Compliance

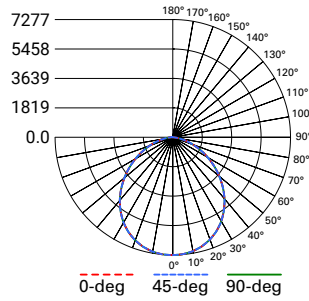
- Luminaires are cULus listed for damp locations -20°C to 50°C ambient environments with 0-10V drivers
- cULus listed
- LED modules comply with IESNA LM-79 and LM-80 standards
- DesignLights Consortium® Qualified and classified for DLC Premium, refer to www.designlights.org for details

Photometric Data

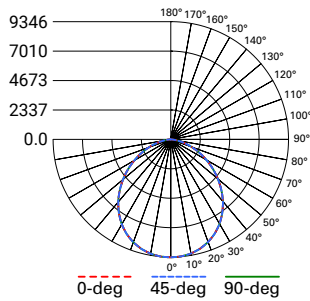
[View IES files](#)



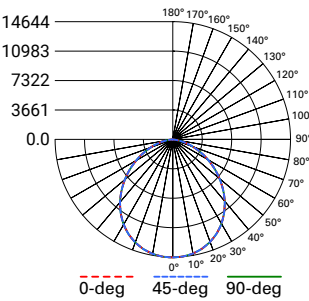
LHB-12-UNV-L850-CD-U
 Electronic Driver
 Linear LED 5000K
 Spacing criterion: (H) 1.23 x mounting height, (L) 1.23 x mounting height
 Lumens: 12390
 Input Watts: 86.9W
 Efficacy: 142.6 lm/W
 Test Report: LHB-12-UNV-L850-CD-U.IES



LHB-18-UNV-L850-CD-U
 Electronic Driver
 Linear LED 5000K
 Spacing criterion: (H) 1.23 x mounting height, (L) 1.23 x mounting height
 Lumens: 18500
 Input Watts: 132.2W
 Efficacy: 139.9 lm/W
 Test Report: LHB-18-UNV-L850-CD-U.IES



LHB-24-UNV-L850-CD-U
 Electronic Driver
 Linear LED 5000K
 Spacing criterion: (H) 1.23 x mounting height, (L) 1.23 x mounting height
 Lumens: 23760
 Input Watts: 171.8W
 Efficacy: 138.3 lm/W
 Test Report: LHB-24-UNV-L850-CD-U.IES



LHB-36-UNV-L850-CD-U
 Electronic Driver
 Linear LED 5000K
 Spacing criterion: (H) 1.23 x mounting height, (L) 1.23 x mounting height
 Lumens: 37230
 Input Watts: 265.2W
 Efficacy: 140.4 lm/W
 Test Report: LHB-36-UNV-L850-CD-U.IES

Energy and Performance Data

Catalog Number	Lensed		Watts	Non-Lensed	
	Delivered Lumens	Efficacy (lm/W)		Delivered Lumens	Efficacy (lm/W)
LHB-12-UNV-L840-CD-U	12390	143	87	13249	152
LHB-12-UNV-L850-CD-U	12390	143	87	13249	152
LHB-18-UNV-L840-CD-U	18500	140	132	20044	152
LHB-18-UNV-L850-CD-U	18500	140	132	20044	152
LHB-24-UNV-L840-CD-U	23760	138	172	26530	154
LHB-24-UNV-L850-CD-U	23760	138	172	26530	154
LHB-36-UNV-L840-CD-U	37230	140	265	41570	157
LHB-36-UNV-L850-CD-U	37230	140	265	41570	157

Lumen Maintenance

Ambient Temperature	TM-21 Lumen Maintenance (60,000 hours)	Theoretical L70 (Hours)
25°C	> 85%	> 122,000

Ambient Ratings

Lumen Package	Ambient Rating
LHB-12	50°C
LHB-18	50°C
LHB-24	50°C
LHB-36	50°C

Input Watts

Lumens	Watts
12 (12,000 lumens)	87W
18 (18,000 lumens)	132W
24 (24,000 lumens)	172W
36 (36,000 lumens)	265W

Shipping Data

Catalog No.	Wt.
LHB-12	10 lbs.
LHB-18	11 lbs.
LHB-24	11 lbs.
LHB-36	18 lbs.