

Description

The Halo Home RL56 is an integrated LED module with Bluetooth® Mesh connectivity for 5" & 6" aperture recessed downlights. When paired with the Halo Home mobile app or Halo Home in-wall dimmers, the RL56 can be wirelessly controlled. Suitable for new construction, remodel and retrofit installation. Listed for use with Halo 5" & 6" housings and classified for use with other 5" & 6" housings, airtight and can be used with housings in direct contact with insulation. The RL56 is designed to connect to the Halo Home Bluetooth Mesh network with no hub or internet connection required.

Catalog #		Type
Project		
Comments		Date
Prepared by		

Specification Features

Wireless System

- For use with the Halo Home mobile app.
- Bluetooth low energy (BLE) mesh allows on/off, white tuning and lumen output to be controlled wirelessly with companion wall switches, smart phones and tablets using Halo Home mobile application.
- Group, schedule, scenes and automate lighting actions through Halo Home mobile app.

Wireless Pairing

- See Halo quick start guide for wireless setup, guidance and troubleshooting.

Module - Trim

- Module construction includes LED Array, heat sink, reflector, lens, baffle and trim ring.
- Regressed baffle
- Heat sink designed to conduct heat away from the LED Array, keeping the junction temperatures below specified maximums, even when installed in insulated ceiling environments.

LED Array

- Mid power LED array provides a uniform source with high efficiency and no pixilation.
- 90 CRI minimum, R9 greater than 50
- Color accuracy within 3 SDCM at the CCT endpoints and 4 SDCM in between endpoints, provide color accuracy and uniformity.
- Color Temperature (CCT) has an adjustable range from 2700K to 5000K within the mobile app (factory default 3000K)
- 50,000 hour life

Optical Assembly

- Regressed lens
- Impact-resistant polycarbonate
- Convex form and lamp-like appearance
- Diffuse for even illumination

Driver

- Integral 120V 50/60 Hz constant current driver provides noise free operation
- Inline electrical quick connect and E26 adapter (provided) provides mains connections
- Consult instruction sheets and quick start guide for more information

Dimming

- In the mobile app, continuous, flicker-free dimming from 100% to 5%.
- It is not recommended with any in wall dimmers.

Retention

- Integral torsion springs and Push-N-Twist universal installation clips offer two mounting options
- Clips are pre-installed and designed to fit 5" & 6" compatible recessed housings

Designer Skins (sold separately)

- RL56 skins are accessory rings that attach to the RL56 for a permanent finish. Refer to the RL56 accessories specification sheet for details.
 - White (Paintable)
 - Satin Nickel
 - Tuscan Bronze

Gaskets

- Closed cell gaskets achieve restrictive airflow requirements without additional caulking

Compliance

- cULus certified for use with Halo housings and other's housings
- Wet and Damp location listed
- Airtight certified per ASTM-E283
- Suitable for use in clothes closets when installed in accordance with the NEC 410.16 spacing requirements
- EMI/RFI emissions per FCC 47CFR Part 15 consumer limits
- Contains no mercury or lead and RoHS compliant
- Photometric testing in accordance with IES LM-79-08
- Lumen maintenance projections in accordance with IES LM-80-08 and TM-21-11
- Can be used for State of California Title 24 high efficacy luminaire compliance. Complies with Title 24 JA8-2016-E.
- Can be used International Energy Conservation Code (IECC) high efficiency luminaire compliance.
- ENERGY STAR® listed, reference database for current listings
- Lighting Facts labeled
- FCC ID: 2AKCY-RL56BLE
- IC code: 4706A-RL56BLE

Warranty

Five year limited warranty, consult website for details. www.cooperlighting.com



Halo Home RL56

5/6 -Inch All-Purpose LED Retrofit Module with Bluetooth Mesh Connectivity

90 CRI

CCT Adjustable

Range from 2700K-5000K

FOR USE IN INSULATED CEILING AND NON-INSULATED CEILING RATED HOUSINGS

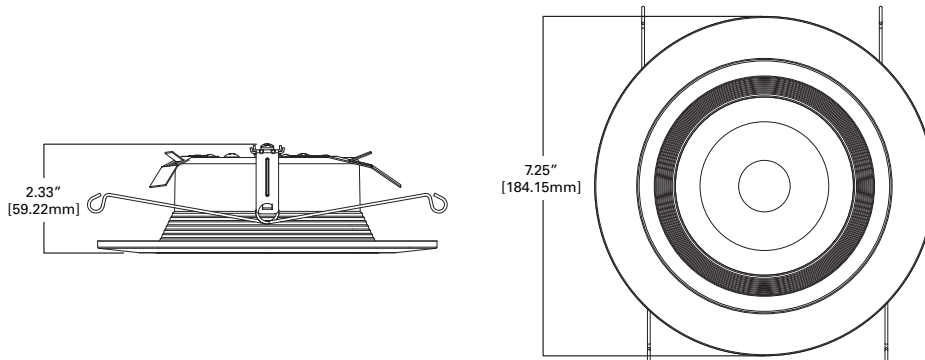
HIGH-EFFICACY LED WITH INTEGRAL DRIVER - DIMMABLE



Refer to ENERGY STAR® Certified Products List. Can be used to comply with California Title 24 High Efficacy requirements. Certified to California Appliance Efficiency Database under JA8.



Dimensions



ENERGY DATA	
Input Voltage	120V
Input Current	.082 A
Input Power	9.7 W
Inrush (A)	1.4 A
THD: ≤ 20%	
PF: ≥ 0.90	
T Ambient -40 - +40°C	
Sound Rating ≤ 22.5dba	

Ordering Information

SAMPLE NUMBER: RL56069BLE40AWH

A complete luminaire consists of a housing, and LED module, order separately.

Models	Lumens	CRI/CCT	Protocol	Finish	Accessories
RL56 = 5"/6" all- purpose retrofit LED module	06 =600 lumens (nominal)	9 =90 CRI minimum, white tuning, select CCT 2700K – 5000K, in the mobile app	BLE40A =Bluetooth Mesh wireless control, 4.0	WH =Matte white baffle	RL56TRMWHB =5"/6" White Paintable Trim Ring, Baffle RL56TRMSNB =5"/6" Satin Nickel Trim Ring, Baffle RL56TRMTBZ =5"/6" Tuscan Bronze Trim Ring, Baffle RL56TRMWH =5"/6" White Paintable Trim Ring RL56TRMSN =5"/6" Satin Nickel Trim Ring RL56TRMTBZ =5"/6" Tuscan Bronze Trim Ring

Housings

Halo LED 5-inch

- H550ICAT**= 5" LED, Insulated Ceiling, Air-Tite, New Construction Housing
- H550RICAT**= 5" LED, Insulated Ceiling, Air-Tite, Remodel Housing
- E550ICAT**= 5" LED, Insulated Ceiling, Air-Tite, New Construction Housing
- E550RICAT**= 5" LED, Insulated Ceiling, Air-Tite, Remodel Housing

Halo LED 6-inch

- H750ICAT**= 6" LED, Insulated Ceiling, Air-Tite, New Construction Housing
- H750RICAT**= 6" LED, Insulated Ceiling, Air-Tite, Remodel Housing
- H750T**= 6" LED, Non-IC, Air-Tite, New Construction Housing
- H750TCP**= 6" LED, Non-IC, New Construction/Remodel Chicago Plenum Housing
- H2750ICAT**= 6" LED, Shallow, Insulated Ceiling, Air-Tite, New Construction (use with 691X, 694X, 696X trims only)
- H2750RICAT**= 6" LED, Shallow, Insulated Ceiling, Air-Tite, Remodel (use with 691X, 694X, 696X trims only)
- E750ICAT**= 6" LED, Insulated Ceiling, Air-Tite, New Construction Housing
- E750RICAT**= 6" LED, Insulated Ceiling, Air-Tite, Remodel Housing

Halo LED retrofit

- ML7E26RFK**= 6" Retrofit Enclosure, Non-IC, E26 Screw base Interface
- ML7BXFK**= 6" Retrofit Enclosure, Non-IC, BX Whip

Halo Shallow Housings 5-inch

- H25ICAT**= 5" Shallow, Insulated Ceiling, Air-Tite New Construction
- H25RICAT**= 5" Shallow, Insulated Ceiling, Air-Tite Remodel
- H25ICATNB**= 5" Shallow, Insulated Ceiling, Air-Tite New Construction, No Socket Bracket

Halo Shallow Housings 6-inch

- H27ICAT**= 6" Shallow, Insulated Ceiling, Air-Tite New Construction
- H27RICAT**= 6" Shallow, Insulated Ceiling, Air-Tite Remodel Housing
- H27T**= 6" Shallow, Non-IC, New Construction Housing
- H27RT**= 6" Shallow, Non-IC, Remodel Housing
- E27ICAT**= 6" Shallow, Insulated Ceiling, Air-Tite New Construction
- E27RICAT**= 6" Shallow, Insulated Ceiling, Air-Tite Remodel Housing
- E27TAT**= 6" Shallow, Non-IC, New Construction Housing
- E27RTAT**= 6" Shallow, Non-IC, Remodel Housing

Halo Standard Housings 5-inch

- H5ICAT**= 5" Insulated Ceiling, Air-Tite New Construction Housing
- H5RICAT**= 5" Insulated Ceiling, Air-Tite Remodel Housing
- H5ICATNB**= 5" Insulated Ceiling, Air-Tite New Construction Housing, No Socket Bracket
- H5T**= 5" Non-IC, New Construction Housing
- H5RT**= 5" Non-IC, Remodel Housing
- H5TNB**= 5" Non-IC, New Construction Housing, No Socket Bracket
- E5ICAT**= 5" Insulated Ceiling, Air-Tite New Construction Housing
- E5RICAT**= 5" Insulated Ceiling, Air-Tite Remodel Housing
- E5ICATNB**= 5" Insulated Ceiling, Air-Tite New Construction Housing, No Socket Bracket
- E5TAT**= 5" Non-IC, New Construction Housing
- E5RTAT**= 5" Non-IC, Remodel Housing
- E5TATNB**= 5" Non-IC, New Construction Housing, No Socket Bracket

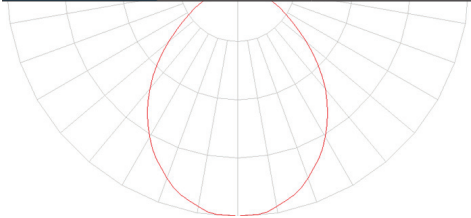
Halo Standard Housings 6-inch

- H7ICAT**= 6" Insulated Ceiling, Air-Tite New Construction Housing
- H7RICAT**= 6" Insulated Ceiling, Air-Tite Remodel Housing
- H7ICT**= 6" Insulated Ceiling, New Construction Housing
- H7RICT**= 6" Insulated Ceiling, Remodel Housing
- H7ICATNB**= 6" Insulated Ceiling, Air-Tite New Construction Housing, No Socket Bracket
- H7ICTNB**= 6" Insulated Ceiling, New Construction Housing, No Socket Bracket
- H7T**= 6" Non-IC, New Construction Housing
- H7RT**= 6" Non-IC, Remodel Housing
- H7TNB**= 6" Non-IC, New Construction Housing, No Socket Bracket
- H7TCP**= 6" Non-IC, Chicago Plenum, New Construction/Remodel Housing
- H7UICAT**= 6" Insulated Ceiling, Universal, Air-Tite, New Construction Housing
- E7ICAT**= 6" Insulated Ceiling, Air-Tite New Construction Housing
- E7RICAT**= 6" Insulated Ceiling, Air-Tite Remodel Housing
- E7ICATNB**= 6" Insulated Ceiling, Air-Tite New Construction Housing, No Socket Bracket
- E7TAT**= 6" Non-IC, New Construction Housing
- E7RTAT**= 6" Non-IC, Remodel Housing
- E7TATNB**= 6" Non-IC, New Construction Housing, No Socket Bracket



Photometric Data

RL56069BLE40AWH		
Luminaire lumens	665	
Input watts	7.6	
LER (LPW)	87.5	
Spacing Criteria	0-180	1.14
	90-270	1.14
	Diagonal	1.22
Beam angle (degrees)	87.8	
Field angle (degrees)	139	
Zonal lumen	Lumens	% Lumens
0-30	247	37.2
0-40	387	58.2
0-60	595	89.4
0-90	665	100



* Tested in accordance with IES LM63. Field results may vary.

Color Metric Summary*

TM-30-15	R _r = 89.8
	R _g = 98
CRI/CIE	R _a = 93.7
	R ₉ = 69.1



*factory default 3000K

Lighting Facts

HALO

LED lighting facts
A Program of the U.S. DOE

Light Output (Lumens) 685
Watts 9.5
Lumens per Watt (Efficacy) 72.11

Color Accuracy 91
Color Rendering Index (CRI)

Light Color 3000 (Bright White)
Correlated Color Temperature (CCT)

2700K 3000K 4500K 6500K

All results are according to IESNA LM-79-2008: Approved Method for the Electrical and Photometric Testing of Solid State Lighting. The U.S. Department of Energy (DOE) verifies product test data and results.

Visit www.lightingfacts.com for the Label Reference Guide.

Registration Number: F4QJ-32X3MX (Revised 10/27/2017)
Model Number: RL56069BLE40AWH-3000K
Type: Luminaire - Downlight