



# ORA2-LED30

## LED WALL / FLOOD LIGHT



### SPECIFICATIONS\*

Watts	30W
Lumens	3359
Efficacy	112 lm/W
Replaces Up To	100W MH 500W Quartz
Colour Temp	4,000K
Certification	cULus, DLC, IP65
Operating Temp	-40°C to +40°C
Voltage	120-277V, 347V in wall mount
LED Life	100,000 hours
Housing Material	Aluminum
Lens Material	Polycarbonate
Total Harmonic Distortion	18.57%
Power Factor	0.9817
Mounting Options	Yoke Mount, Knuckle Mount, Wall Mount



## DESCRIPTION

The ORA-LED is a fully adjustable multi-purpose fixture that replaces traditional wall packs or floods. The ORA features a sleek, elegant design with multiple mounting options.

## APPLICATIONS



Town Houses



Condos



Perimeter Lighting



Shopping Malls

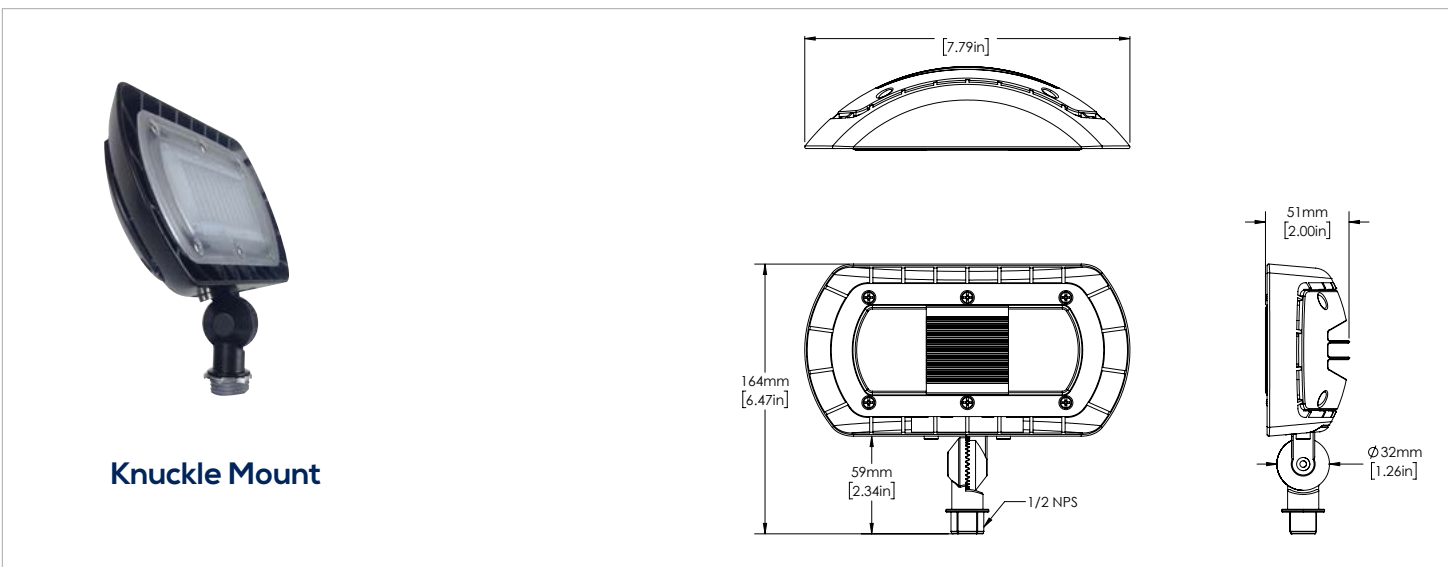
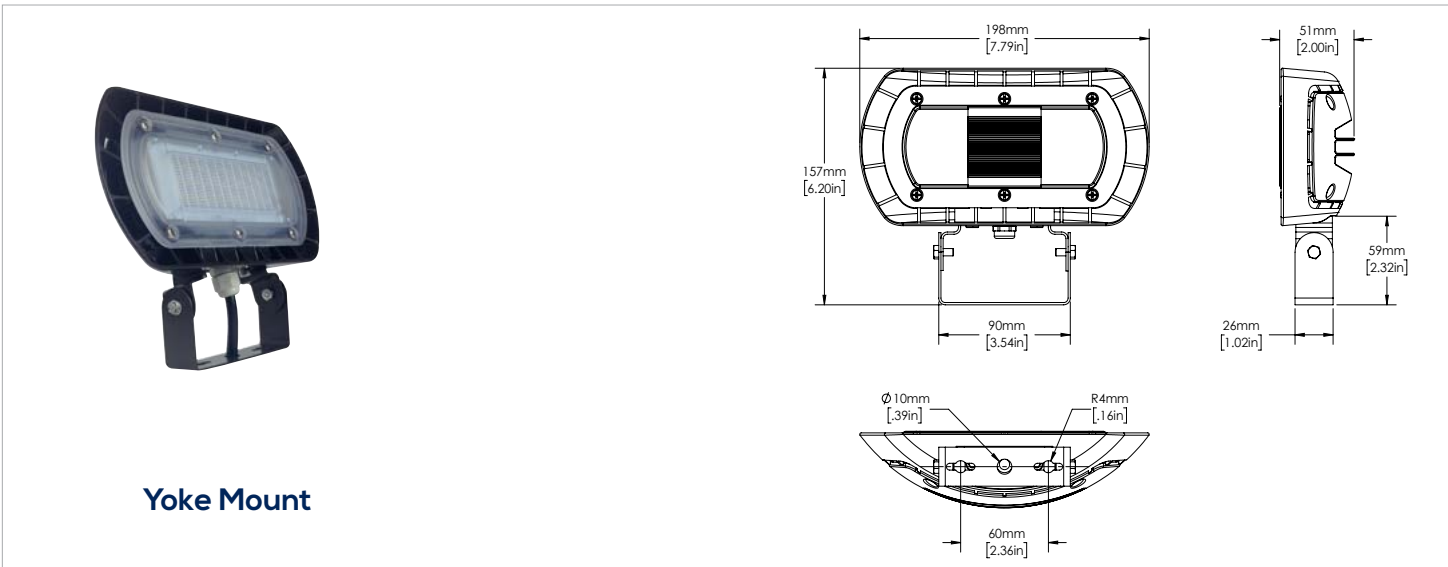
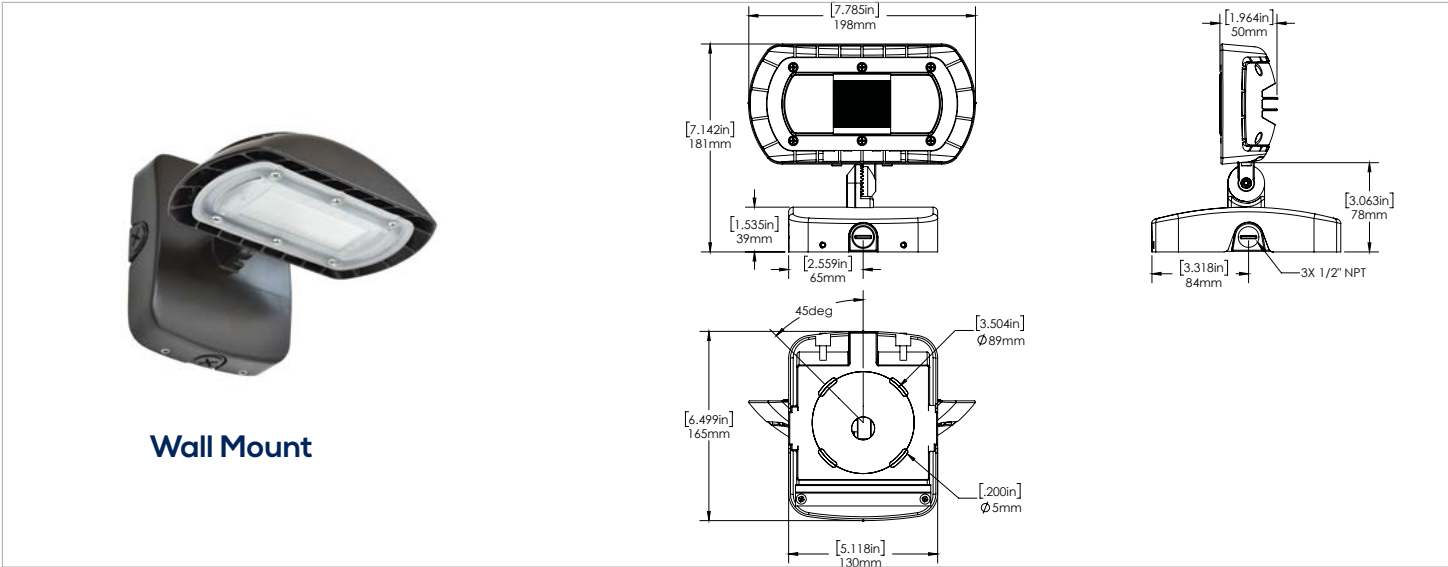
## FEATURES

- Elegant, sleek design with a modern look
- Fixture head may be aimed down for dark sky compliance, or aimed out as needed.
- Three mounting options available – knuckle, yoke and wall mount.

\*The above specs apply to the standard product configuration. For spec information on other product configurations please see page 4.

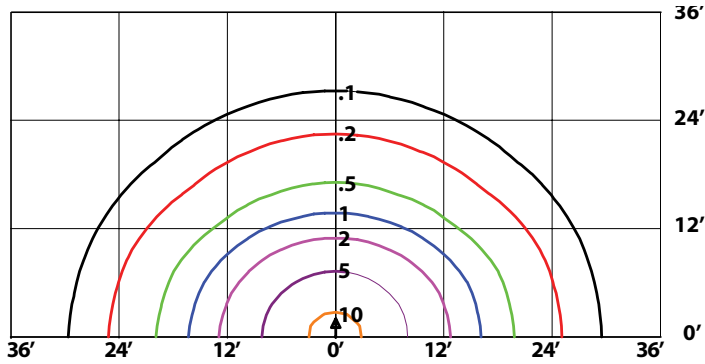
**NOTE:** Not all of our product configurations are qualified on the DLC QPL. To view all of our DLC qualified products please visit the DLC qualified products list at [www.designlights.org/qpl](http://www.designlights.org/qpl).

**DIMENSIONS**



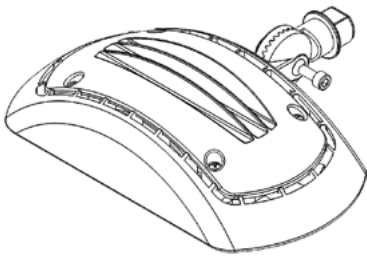
**PHOTOMETRICS**

**ORA2-LED30 4K MOUNTED AT 12 FEET - WALL MOUNT ORIENTATION**



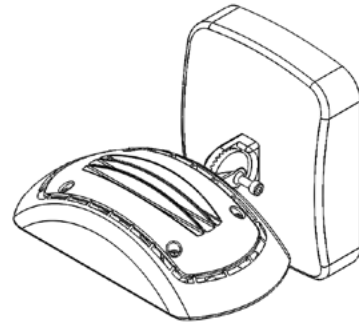
**ARCHITECTURAL WALL MOUNT**

For architectural wall mount version order ORA knuckle mount with architectural backbox separately



**Step One**

Remove screw from knuckle mount



**Step Two**

Mount on bracket with wiring and tighten screw

**347V WALL MOUNT**

