

LED Task Star PRO

Colour CHANGEABLE

LTSPRO is constructed with aluminum housing and a matte polycarbonate diffuser. This sleek fixture features edge lit technology which means no hot spots on the polished marble or granite counter top.



FEATURES

- 50,000 hours life
- Adjustable to 3 colour temperatures: 2700K, 3300K and 4000K (warm white to cool white)
- Dimmable with most ELV dimmers
- Comes with High / Low Switch
- Low power consumption
- Edge Lit technology eliminates hot spots – smooth luminance
- Fast and easy installation – quick connects, captive mounting holes
- Comes with cord and plug as well as knockouts for hardwire
- 3/8" connector provided
- Shallow profile conceals fixture
- Linkable up to 400 watts. Each fixture ships with 8" jumper cable and end-to-end connector
- 90 CRI
- Available in 6 sizes – 9", 12", 18", 24", 32" and 40"
- cETLus and Energy Star listed
- 3 year limited warranty

APPLICATIONS

- Under cabinet task light
- Over cabinet accent light
- Display cases and exhibits
- Merchandising
- Indirect accent light
- Wall units and bars
- Office work stations

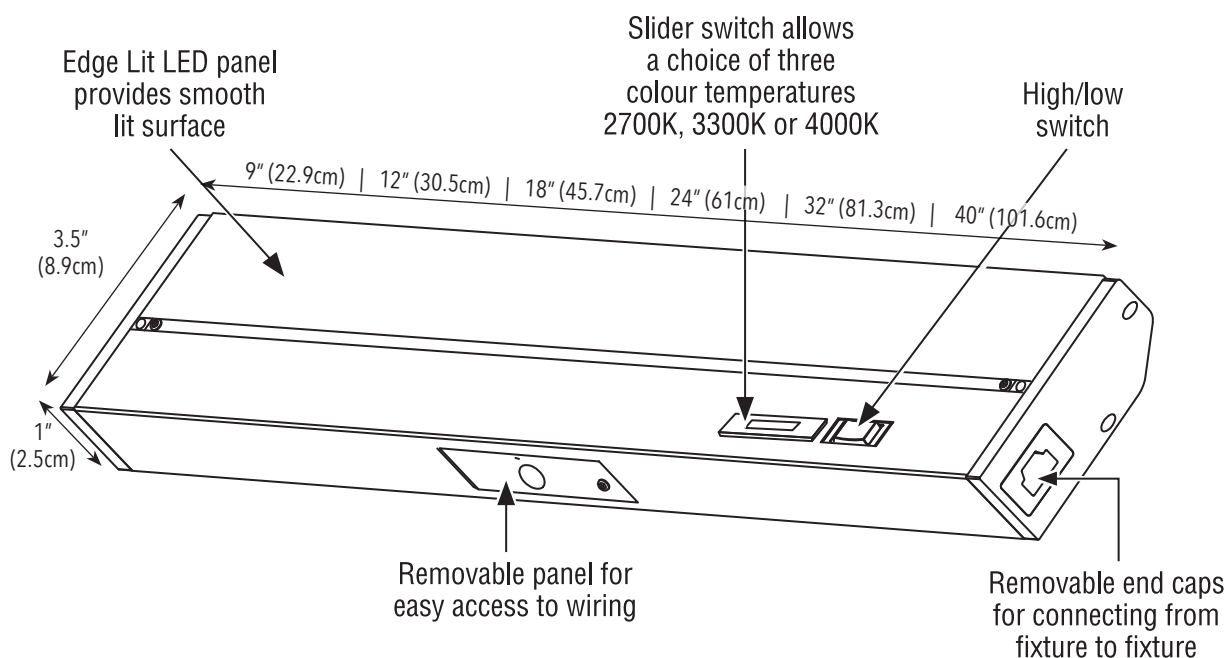
PRODUCT CODES

LTSPRO - XX - YY

LED	SIZE	TRIM FINISH
Task Star	9 - 9"	WH - White
PRO	12 - 12"	BK - Black
	18 - 18"	BZ - Bronze
	24 - 24"	SN - Satin Nickel
	32 - 32"	
	40 - 40"	

SPECIFICATIONS

Input Voltage	120V AC
Power Consumption	9" = 3W
	12" = 5W
	18" = 8W
	24" = 12W
	32" = 16W
40" = 20W	
Power Factor	0.95
LEDs	Epistar
LED Life	50,000 hours
CCT	2700K - 4000K
Lumen Output	9" = 150 - 200 Lumens
	12" = 250 - 300 Lumens
	18" = 380 - 450 Lumens
	24" = 650 - 700 Lumens
	32" = 850 - 900 Lumens
40" = 950 - 1000 Lumens	
CRI	> 90
Cover Finish	Extruded Aluminum housing / High impact PC plastic end caps / Matte white polycarbonate diffuser
Appearance Size (L x W x H)	9" - 9" x 3.5" x 1" (22.9 x 8.9 x 2.5cm)
	12" - 12" x 3.5" x 1" (30.5 x 8.9 x 2.5cm)
	18" - 18" x 3.5" x 1" (45.7 x 8.9 x 2.5cm)
	24" - 24" x 3.5" x 1" (61.0 x 8.9 x 2.5cm)
	32" - 32" x 3.5" x 1" (81.3 x 8.9 x 2.5cm)
40" - 40" x 3.5" x 1" (101.6 x 8.9 x 2.5cm)	
Approvals	cETLus listed and Energy Star rated



ACCESSORIES



LTSPRO-J-12*
12" jumper cable
LTSPRO-J-18*
18" jumper cable
LTSPRO-J-24*
24" jumper cable
LTSPRO-J-32*
32" jumper cable



LTSPRO-PC-72*
72" replacement power cord and plug



LTSPRO-JB
Hardwire junction box for LTSPRO fixtures - allows for direct wiring installation, eliminating the visible household wire. Add (-BK) at the end of part number for black finish.



RC-01
3/8" Romex connector

* Note : add (-BK) at the end of part number for black cable.
**Each fixture ships with one 8" jumper cable, one end-to-end connector and one 3/8" Romex connector.

REPLACEMENT PARTS

LTSPRO-SW-BK (HI-OFF-LOW)
Replacement Rocker Switch, Black

LTSPRO-SW-WH (HI-OFF-LOW)
Replacement Rocker Switch, White