

Project		Catalog #		Type	
Prepared by		Notes		Date	



# HALO

## LT4

4" All-Purpose LED Integrated Trim Modules  
600 Lumen Series  
90 CRI

### Typical Applications

Residential

### Interactive Menu

- Order Information [page 2](#)
- Product Specifications [page 4](#)
- Photometric Data [page 3](#)
- Energy & Performance Data [page 4](#)
- Product Warranty

### Product Certification



Refer to ENERGY STAR® Certified Products List.  
Can be used to comply with California Title 24 High Efficacy requirements.  
Certified to California Appliance Efficiency Database under JAB.  
**NOTE:** Due to T20 changes as of July 1<sup>st</sup> 2019 consult factory for current catalog number and availability for T20 compliant products.

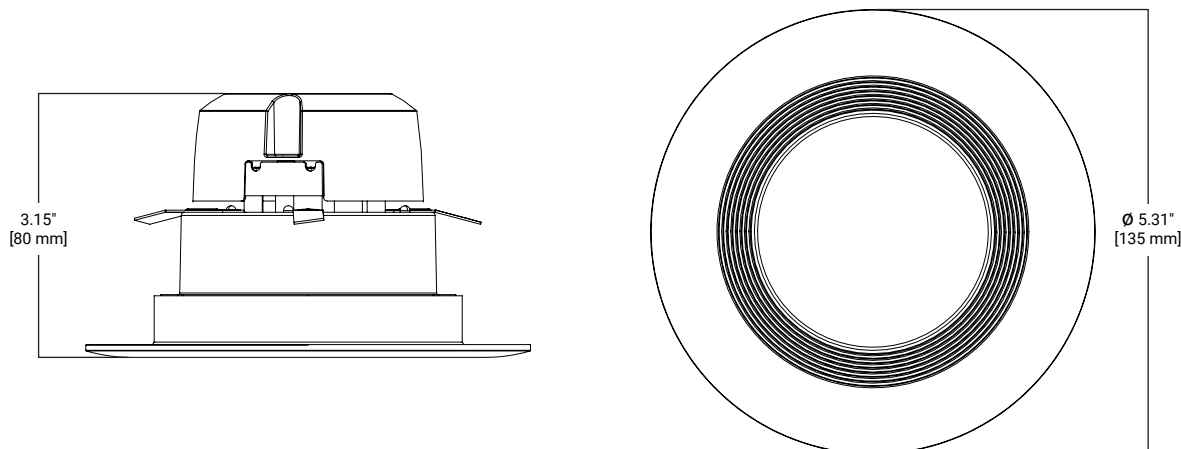
### Product Features



### Top Product Features

- ENERGY STAR® certified
- 2700K, 3000K, 3500K, 4000K, 5000K, 90 CRI
- Retrofits existing 4" housings with screwbase adapter included
- Use with Halo 4" LED housings - new construction and remodel
- Dimmable down to 10%

### Dimensional and Mounting Details



## Order Information

SAMPLE ORDER NUMBER: **LT460WH6930R**

A complete luminaire consists of a housing and a LED integrated trim, order separately.

Module	Finish	Lumens	CRI/CCT	Packaging	T20 Compliant
Module	Finish	Lumens	CRI/CCT	Accessories	
LT460 = 4" integrated LED trim	WH = matte white	6 = 600 lumen series (nominal). See table below for details.	927 = 90 CRI (minimum), 2700K CCT 930 = 90 CRI (minimum), 3000K CCT 935 = 90 CRI (minimum), 3500K CCT 940 = 90 CRI (minimum), 4000K CCT 950 = 90 CRI (minimum), 5000K CCT	R = Recyclable	-CA = California

### Accessories

#### Accessories

**HE26LED** = Replacement medium base (E26) screw base adapter (one included with unit)

### Housing Compatibility

#### Compatible Halo LED Housings with LED Luminaire Connector (high-efficacy compliant – Title 24)

##### Halo LED

H9951CAT = 4" IC, airtight shallow new construction housing, LED, 120 - 277V  
H995RICAT = 4" IC, airtight shallow remodeler housing, LED, 120 - 277V  
H245RICAT = 4" IC, airtight ultra-shallow remodeler housing, LED, 120 - 277V

### Housing Compatibility

#### Compatible Halo Incandescent E26 Screwbase Housings

##### Halo LED Housings

H9951CAT = 4" IC, airtight shallow new construction housing, LED, 120 - 277V  
H99RTAT = 4" non-IC, airtight shallow remodeler housing, E26, 120V  
H99RTAT = 4" non-IC, airtight shallow remodeler housing, E26, 120V  
E41CATSB = 4" non-IC, airtight shallow new construction housing, adjustable socket bracket, E26, 120V  
E4TATSB = 4" non-IC, airtight shallow new construction housing, adjustable socket bracket, E26, 120V  
E4RTATSB = 4" non-IC, airtight shallow remodeler housing, adjustable socket bracket, E26, 120V

### Housing Compatibility

#### Compatible All-Pro Incandescent E26 Screwbase Housings

##### All-Pro 4-Inch

ET400ATSB = 4" All-Pro  
ET400RATSB = 4" All-Pro  
ET400ATSB = 4" All-Pro

#### LT4 Series LED Retrofit is UL Classified for retrofit in the following 4" recessed housings:

The LT Series LED light module - trim combination is UL/cUL Listed or UL Classified for use with any 4" diameter recessed housing constructed of steel or aluminum with an internal volume that exceeds 62.3 in<sup>3</sup> in addition to those noted above.

## Product Specifications

### LT460WH6927R - 91 CRI

PRODUCT SPECIFICATIONS	
Lumens	630
Watts	8.2
Lumens Per Watt (Efficacy)	76.83
Color Accuracy (CRI)	91
Light Color (CCT)	2700K
Correlated Color Temperature (CCT)	
warm white	soft white
2700K	3000K
4500K	6500K

### LT460WH6930R - 91 CRI

PRODUCT SPECIFICATIONS	
Lumens	620
Watts	8.3
Lumens Per Watt (Efficacy)	74.7
Color Accuracy (CRI)	91
Light Color (CCT)	3000K
Correlated Color Temperature (CCT)	
warm white	soft white
2700K	3000K
4500K	6500K

### LT460WH6935R - 93 CRI

PRODUCT SPECIFICATIONS	
Lumens	630
Watts	8.2
Lumens Per Watt (Efficacy)	76.83
Color Accuracy (CRI)	93
Light Color (CCT)	3500K
Correlated Color Temperature (CCT)	
warm white	soft white
2700K	3000K
4500K	6500K

### LT460WH6940R - 94 CRI

PRODUCT SPECIFICATIONS	
Lumens	660
Watts	8.2
Lumens Per Watt (Efficacy)	80.49
Color Accuracy (CRI)	94
Light Color (CCT)	4000K
Correlated Color Temperature (CCT)	
warm white	soft white
2700K	3000K
4500K	6500K

### LT460WH6950R - 95 CRI

PRODUCT SPECIFICATIONS	
Lumens	675
Watts	8.3
Lumens Per Watt (Efficacy)	81.33
Color Accuracy (CRI)	95
Light Color (CCT)	5000K
Correlated Color Temperature (CCT)	
warm white	soft white
2700K	3000K
4500K	6500K

### LT460WH6927R-CA - 90 CRI

PRODUCT SPECIFICATIONS	
Lumens	651
Watts	7
Lumens Per Watt (Efficacy)	92.4
Color Accuracy (CRI)	90
Light Color (CCT)	2700K
Correlated Color Temperature (CCT)	
warm white	soft white
2700K	3000K
4500K	6500K

### LT460WH6930R-CA - 90 CRI

PRODUCT SPECIFICATIONS	
Lumens	665
Watts	7
Lumens Per Watt (Efficacy)	94.2
Color Accuracy (CRI)	90
Light Color (CCT)	3000K
Correlated Color Temperature (CCT)	
warm white	soft white
2700K	3000K
4500K	6500K

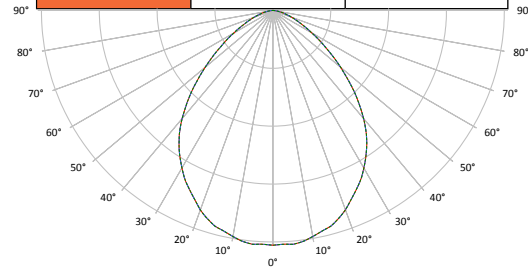
### LT460WH6950R-CA - 91 CRI

PRODUCT SPECIFICATIONS	
Lumens	757
Watts	7.1
Lumens Per Watt (Efficacy)	106.1
Color Accuracy (CRI)	91
Light Color (CCT)	5000K
Correlated Color Temperature (CCT)	
warm white	soft white
2700K	3000K
4500K	6500K

## Photometric Data

### LT4 Photometric\*

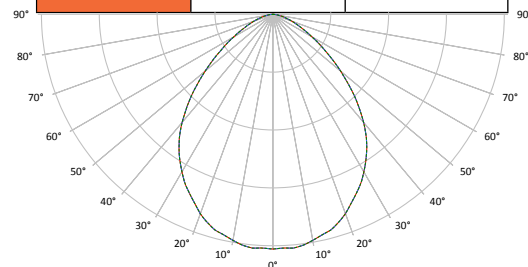
LT460WH6930R		
Luminaire lumens	620	
Input watts	8.3	
LER (LPW)	74.7	
Spacing Criteria	0-180	1.16
	90-270	1.16
	Diagonal	1.23
Beam angle (degrees)	89	
Field angle (degrees)	137.4	
Zonal lumen	Lumens	% Lumens
0-30	214	37.3
0-40	339	58.9
0-60	517	90
0-90	575	100



\* Tested in accordance with IES LM63. Field results may vary.

### LT4-CA Photometric\*

LT460WH6930R-CA		
Luminaire lumens	665.4	
Input watts	7.06	
LER (LPW)	94.2	
Spacing Criteria	0-180	1.16
	90-270	1.16
	Diagonal	1.23
Beam angle (degrees)	89	
Field angle (degrees)	137.4	
Zonal lumen	Lumens	% Lumens
0-30	214.6	37.1
0-40	381.5	58.6
0-60	585.3	89.9
0-90	651.1	100



\* Tested in accordance with IES LM63. Field results may vary.