

Project		Catalog #		Type	
Prepared by		Notes		Date	



HALO HOME™

MicroEdge HLB4

Smart 4" LED Lens Downlight with Bluetooth® Mesh connectivity and remote driver/junction box

Typical Applications

Residential

Interactive Menu

- Order Information page 2
- Photometric Data page 2
- Product Specification page 3
- Product Warranty page 3

Top Product Features

- Delivers up to 742 lumens, achieves L70 at 50,000 hours in IC and non-IC applications (120V)
- Adjustable white tuning via the app: 2700K-5000K, 90 CRI (min), R9 50 and color accuracy within 4 SDCM
- Connects to the HALO Home Bluetooth Mesh network, no hub required
- Suitable for new construction and remodel
- Wet location listed for showers and protected ceilings

Product Certification

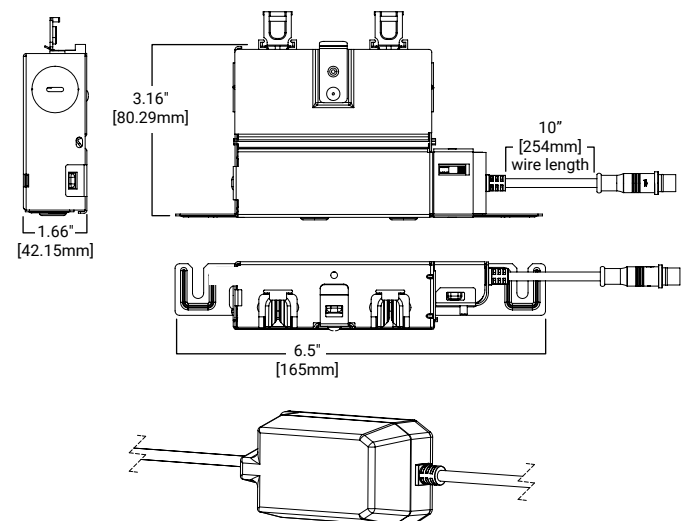
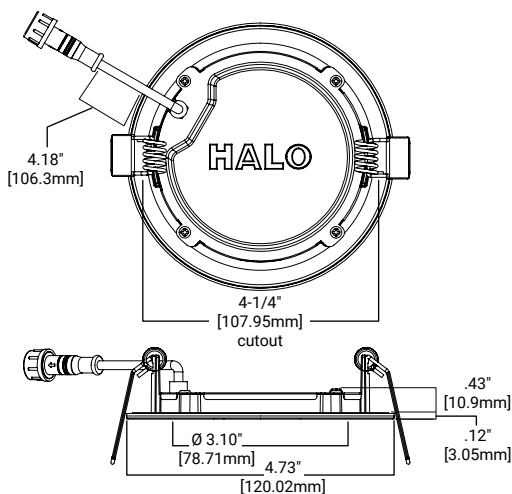


Refer to ENERGY STAR® Certified Products List.
Can be used to comply with California Title 24 High Efficacy requirements.
Certified to California Appliance Efficiency Database under JA8.

Product Features



Dimensional Details



Order Information

SAMPLE ORDER NUMBER: **HLB4069BLE40AWH**

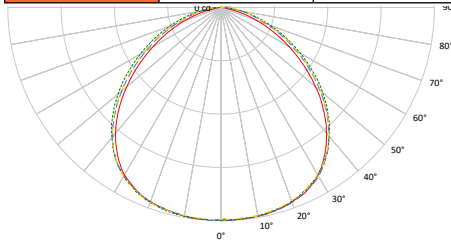
Models	Lumens	CRI / CCT	Protocol	Finish
HLB4 = 4-Inch LED lens downlight with remote driver / junction box	06 = 600 lumens (nominal)	9 = 90 CRI minimum, white tuning, select CCT 2700K - 5000K via mobile app	BLE40A = Bluetooth Mesh wireless control, 4.0	WH = Matte white baffle
Notes	Notes	Notes	Notes	Notes

Accessories

Accessories	
Mounting Frames HL4RSMF = 4" round and square mounting frame HLB4ROTMW = 4" round oversized trim, matte white Designer Trims HLB4RTRMMW = 4" round decorative overlay, matte white HLB4RTRMSN = 4" round decorative overlay, satin nickel HLB4RTRMTBZ = 4" round decorative overlay, tuscan bronze	Extension Cables (HALO Home-only) HLB06BLEEC = 6 ft. extension cable HLB12BLEEC = 12 ft. extension cable HLB20BLEEC = 20 ft. extension cable

Photometric Data

HLB4069BLE40AWH-3000K		
Luminaire lumens	678	
Input watts	9.67	
LER (LPW)	70.1	
Spacing Criteria	0	1.33
	90	1.34
	45	1.41
Beam angle (degrees)	110	
Field angle (degrees)	155	
Zonal lumen	Lumens	% Lumens
0-30	192	28.3
0-40	318	47
0-60	553	81.6
0-90	674	99.4
90-180	4	0.6
0-180	678	100



* Tested in accordance with IES LM63. Field results may vary.

Energy Data

Lumens	697 lm @ 3000K
Input Voltage	120V
Input Current	85 (mA)
Input Power	9.7(W)
Hertz	60
Efficiency	71.9 (LPW)
Inrush	1.87 A @50 μS
THD	≤ 20%
PF	≥ 0.90
T Ambient	-30° - +40°C
Sound Rating	≤ 22 dba

Color Metric Summary - 3000K

TM-30-15	Rf = 92
	Rg = 99
CRI/CIE	Ra = 95
	R9 = 71

CCT - Range of 2700K- 5000K



Product Specifications

PRODUCT SPECIFICATIONS

Brightness 697 lumens

Energy Used 9.7 watts

Lumens per Watt (Efficacy) 71.9

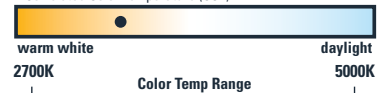
Life (Based on 6 hrs/day) 22 yrs

Color Accuracy 94

Correlated Color Temperature (CRI)

Light Color (CCT) 3000K

Correlated Color Temperature (CCT)



Performance metrics are measured at the factory setting: 3000K
 Las métricas de rendimiento se miden en la configuración de fábrica: 3000K

HLB4 4-inch	CCT	Lumens	Power (W)	LPW
In-app Adjustable White Tuning	2700K	683	9.9	69.0
	3000K	697	9.7	71.9
	3500K	715	9.7	73.7
	4000K	728	9.8	74.3
	5000K	742	9.9	74.9

Product Specifications

Wireless System

- For use with the HALO Home mobile app
- Bluetooth low energy (BLE) mesh allows on/off, white tuning and dimming to be controlled wirelessly with companion wall stations, smart phones and tablets using HALO Home mobile application
- Setup Groups, Scenes and Schedules to automate lighting with the HALO Home mobile app

Wireless Pairing

- See HALO Home Quick Start Guide for wireless setup, guidance and troubleshooting: BringHaloHome.com

Bluetooth Mesh

- HALO Home products work better together Smartphone(s) will need to be within range of HALO Home device to control (~35 ft)
- Device-to-device communication is ~100 ft line-of-sight
- Expand and strengthen the Bluetooth network range by adding HALO Home devices. Learn more at BringHaloHome.com

Gasket

- Closed cell gasket achieves restrictive airflow and wet location listing without additional gaskets or caulking

Optics

- Precision acrylic light guide organizes source flux into wide distribution with 1.4 spacing criteria, useful for general area illumination

LED Array

- Plurality of mid power LED's provides a uniform source with high efficiency and long life
- 90 CRI minimum; R9 greater than 50 provides high color rendering
- Color is tunable through the HALO Home app
- Meets ENERGY STAR® color angular uniformity requirements; Deviation is less than 0.006 u' v'

Remote Driver/Junction Box

- Pre-galvanized steel driver/junction box with captive hinged cover
- Listed for six #12 AWG 90° C splice conductors: two in, two out plus two ground
- Two 1/2" conduit pry-outs
- Two Slide-N-Side™ non-metallic (NM) wire traps allows wiring outside the box
- Accepts NM cable types: 14-2, 14-3, 12-2, 12-3 (U.S.) and 14-2, 14-3, 12-2 (Canadian)
- Three 4-port push wire nuts with clear caps for quick and reliable mains voltage connections
- Integral mounting holes facilitate direct mounting to building structure or mounting frame
- 6-, 12-, and 20-ft extension cables available for centralized junction box installation

Driver

- Available in 120V providing noise free operation
- Continuous flicker-free dimming down to 5% with HALO Home Controllers (Accessory & Anyplace Dimmers and Scene Keypad)
- Plenum rated inline electrical quick connect provides low voltage connection to fixture fitting, CMP/FT6 rated

Installation

- Can be installed in 1/2" to 1-1/4" thick ceilings
- Cutout utilizes standard round hole saw sizes; cutout template provided

Hole Saw Sizing	Min	Max
HLB 4"	4"	4 1/4"

- Heat treated springs hold fixture fitting securely in the ceiling eliminating light leak
- Housing is less than 1/2" thick and can span a 2" nominal framing member
- Can be removed from below the ceiling for service or replacement

Optional Mounting Frame

- Pre-galvanized steel mounting frame locates fixture fittings during electrical rough-in and provides cutout guidance for drywall contractor
- Provides attachment of remote driver/junction box

Compliance

- UL Certified type IC suitable for direct contact with air permeable insulation
- Not recommended for use in direct contact with spray foam insulation (reference NEMA LSD57-2013)
- Wet location listed and IP44 ingress protection
- Airtight per ASTM-E283-04
- Suitable for use in clothes closets when installed in accordance with the NEC 410.16 spacing requirements
- EMI/RFI emissions per FCC 47CFR Part 15 consumer limits
- Contains no mercury or lead and RoHS compliant
- Photometric testing in accordance with IES LM-79-08
- Lumen maintenance projections in accordance with IES LM-80-08 and TM-21-11
- State of California Title 24 high efficacy
- LED compliance under JA8, reference Modernized Appliance Efficiency Database System (MAEDBS) for 2019 JA8 High Efficacy Lighting
- ENERGY STAR® certified (reference "Certified Light Fixtures" database)

Warranty

- Five-year limited warranty